

PYRAMID PYRAMID

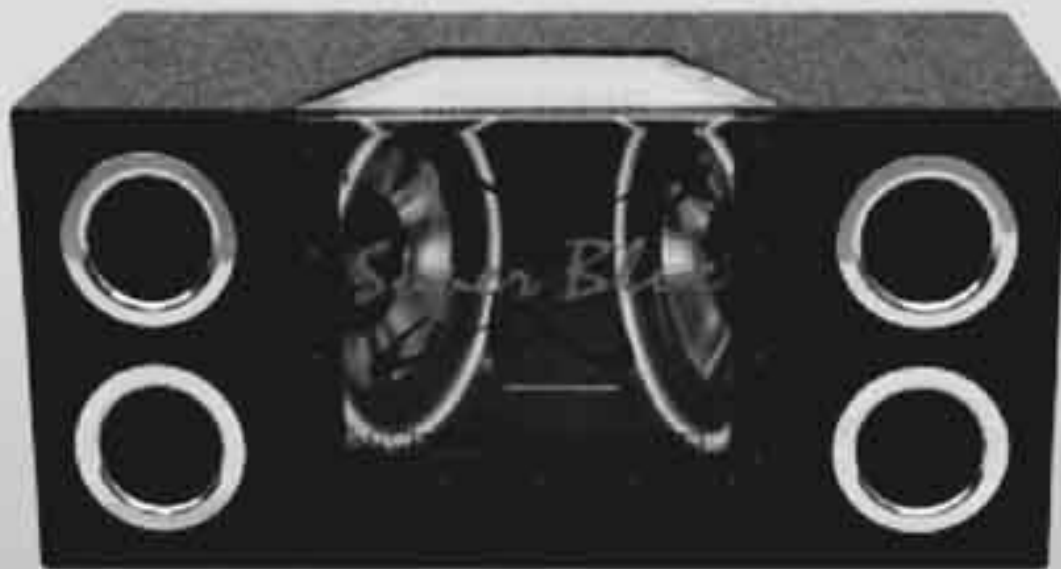
PYRAMID

PYRAMID PYRAMID PYRA

SPECIFICATIONS

BNPS102

BNPS122



PYRAMID PYRAMID

PYRAMID PYRAMID PYRAMID

PYRAMID PYRAMID PYRA

WWW.PYRAMIDCARAUDIO.COM

About Pyramid Bnps-series Bandpass SubWoofer Systems

Congratulations

You have just purchased one of our high quality Pyramid Bnps Subwoofer Systems, Pyramid Bnp-series Bandpass Subwoofer Systems is carefully designed & manufactured for vehicle use. They could deliver consistent and high performance.

The General Features of Pyramid Bnps-Series Bandpass SubWoofer Systems

High Power 4 Ohm Sub-woofers

Silver Polypropylene Cone

Specially Treated Black Rubber Edge Suspension

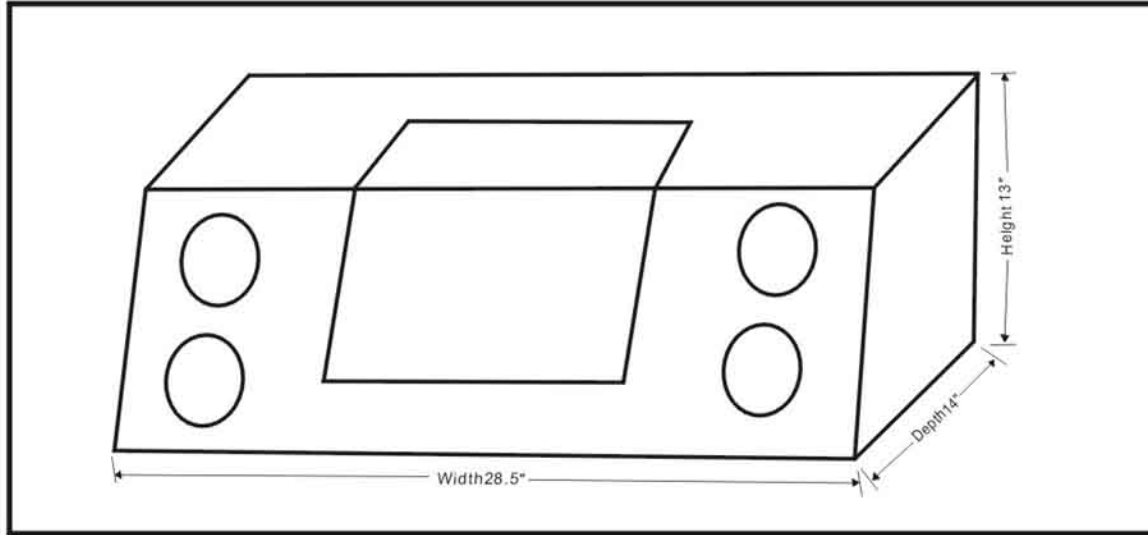
2" Aluminium Voece Coil

Blue Neon Light

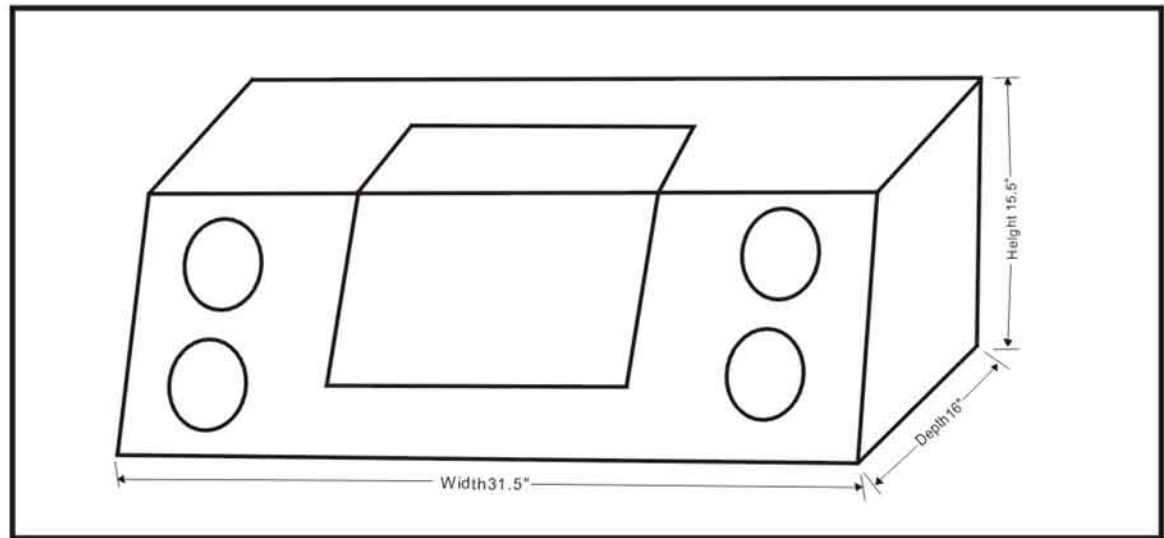
Bandpass Alignment For Extra Deep Bass

Plexiglass Front Window 4 Tuned Ports

BNPS102



BNPS122



FEATURESD	BNPS102	BNPS122
Woofer Size	10"	12"
Power Handling(Peak)	1000W	1200W
Frequency Response	32Hz-1k Hz	32Hz-1k Hz
Woofer Used	BNPS102	BNPS122
Ports	4	4
Dimensions	13"x28.5"x14"	15.5"x31.5"x16"

MANUFACTURER'S LIMITED TWO YEAR WARRANTY

PYRAMID SOUND CORP. warranties this unit to be free from defective material or workmanship and will repair or replace this unit or any parts belonging to this unit. only if proven that after normal use it was defective within two(2) years from the date of original purchase.

The item, when sent in for service should be accompanied by proof of purchase.

Our obligation under this warranty is limited to the repairing or replacing at our discretion, the defective instrument or any part there of when it is returned, transportation must be prepaid to the pyramid Service Center at the address below. This warranty will be considered void if the unit has been tampered with, improperly serviced, subjected to abuse of misuse or if installed in commercial vehicle. This warranty does not cover accidental damage, When returning this unit for service, please include \$20,00 for return postage and handling.

Send your unit to:

PYRAMID SERVICE CENTRE
1600-63RD Street
Brooklyn, New York 11204
1-718-236-8000
1-800-444-5671
www.pyramidcaraudio.com

IMPORTANT

Pack carefully in original carton if possible. We are not responsible for damage incurred in retuning items for repair. A letter stating your exact street address, daytime phone number, and the problem you are experiencing should be included You must also enclose a copy of the original receipt as proof of date of purchase