

Lanzar
Heritage



HTGEPBT9H
4-Band Parametric Equalizer
with Wireless BT Audio Connectivity

USER GUIDE

TABLE OF CONTENTS

1. FEATURES	3
2. PRECAUTIONS	4
Installation	4
3. CONTROLS	5
4. OPERATIONS	6
Setting system volume	6
Adjusting the controls	6
Setting the low-pass frequency	6
Connecting an MP3 player or video unit	7
Care and maintenance	7
5. INSTALLATION AND WIRING	8
What's in the Box	8
Before starting	8
Tools and additional components	9
Mounting Diagram	9
Wiring diagram	10
6. TROUBLESHOOTING	12
The unit does not work; no lights	12
Sound is distorted	12
No sound coming from the unit	12
7. GLOSSARY	12
8. SPECIFICATIONS	13

California Prop 65 Warning



WARNING:

This product contains Nickel carbonate which is known to the state of California to cause cancer birth defects and other reproductive harm. Do not ingest.

For more info go to: www.P65warnings.ca.gov

FEATURES

LANZAR HTGEPBT9H is a 4-band stereo equalizer/ crossover specifically created for the mobile environment.

The HTGEPBT9H provides powerful features in a compact size:

- Four equalization bands, each frequency adjustable from -12 to +12dB (-15 to +15dB for subwoofer frequencies)
- Three stereo **RCA** outputs to drive front, rear, and subwoofer audio amplifiers
- An auxiliary stereo **RCA** input for use with portable devices, such as an MP3 player or DVD player
- Separate controls for master volume, subwoofer volume (sub level), front/rear fader, and selection of main or auxiliary inputs
- Extended frequency response from 20Hz to 30kHz with exceptional 100dB signal-to-noise performance
- Gold-plated RCA connectors to ensure the best audio signal output
- ISO mounting holes and removable trim ring for custom installation
- **Bass Driver:** The **HTGEPBT9H** contains a Bass Driver circuit that accurately recreates and injects Low frequency information back into the signal path. What that means in everyday terms is that the **HTGEPBT9H** will give more bass impact to your best compact discs or even your old tapes.
- **Bass Equalization Circuit:** The **HTGEPBT9H** has a unique equalization circuit that contours the restored base to your speaker systems.
- **Bass Output Control:** The **HTGEPBT9H** has the ability to produce large amount of deep, mind shattering bass without damaging your speakers. The Bass Output Control circuit allows the **HTGEPBT9H** to maximize the bass output of any auto sound audio system while restraining destructive bursts.

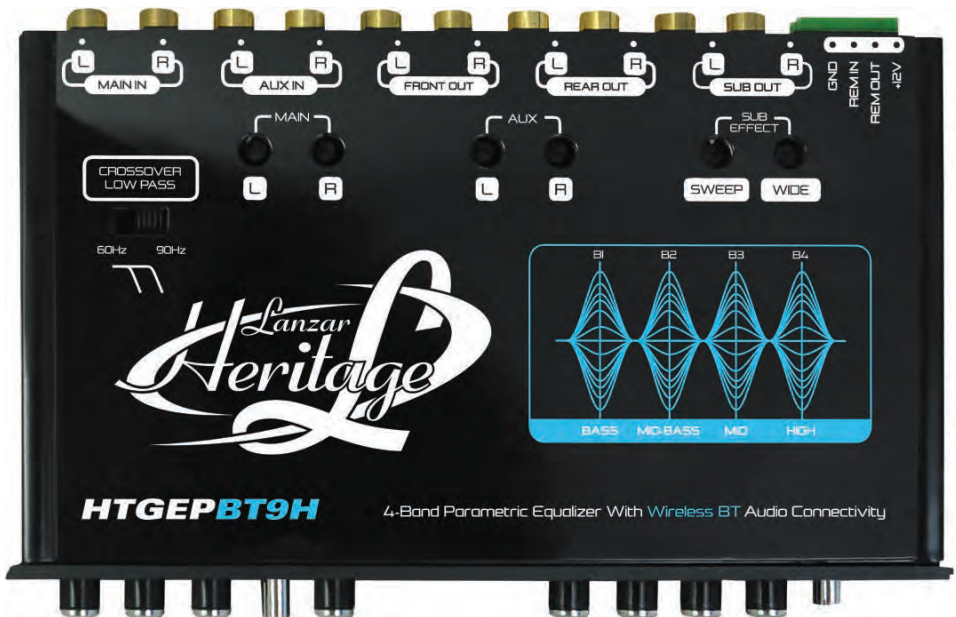
PRECAUTIONS

- Do not operate this product in ways other than those described in this manual.
- Do not disassemble or modify this unit.
- Do not pour liquid or poke foreign objects into the unit.
Water and humidity may damage internal circuitry.
- If the unit becomes wet, turn off all power and ask your authorized **LANZAR** dealer to clean or service the unit.

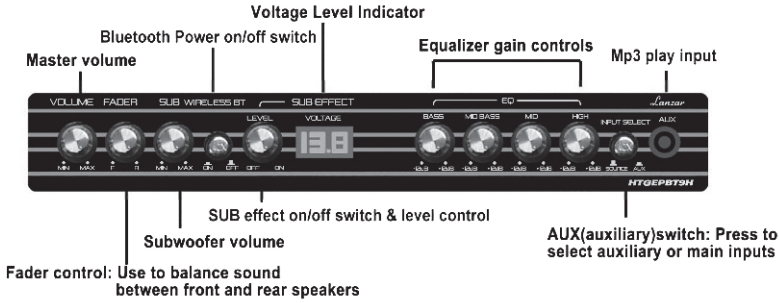
Failure to observe these precautions may damage your ear, the monitor, or the video source, and may void the warranty.

Installation

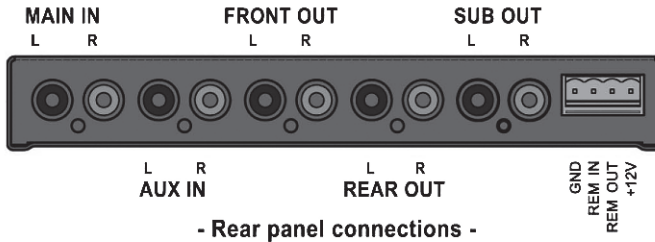
Installation of mobile audio and video components requires experience with a variety of mechanical and electrical procedures. Although this manual provides general installation and operation instructions, it does not show the exact installation methods for your particular vehicle. If you do not have the required knowledge and experience to successfully complete the installation, consult an authorized **LANZAR** dealer about professional installation options.



CONTROLS



- Front panel controls -



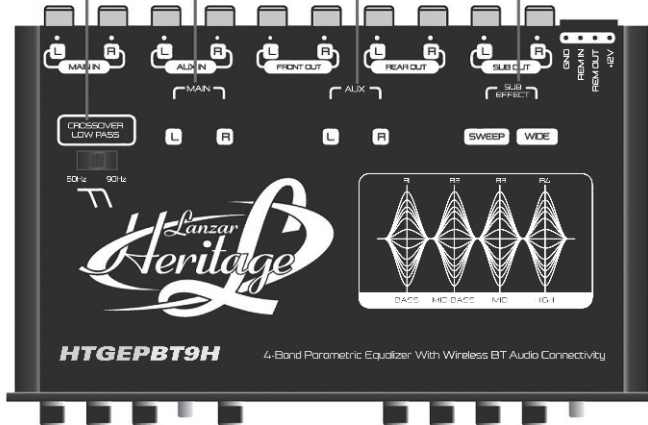
- Rear panel connections -

Aux gain control: Gain adjustment for left and right auxiliary input

Main gain control: Gain adjustment for left and right Main input

Low-pass frequency switch (60 / 90Hz)

Para-Bass Controls: These 2 knobs control the Para-Bass functions of the HTGEPBT9H. The SWEEP knob allows you to pick the center frequency that you want the HTGEPBT9H bass restoration circuit to maximize. The WIDE knob adjusts how wide of a frequency range the HTGEPBT9H will effect.



- Top panel -

OPERATIONS

Setting system volume

1. Turn the master volume and subwoofer level controls to their minimum settings.
2. Turn the source unit on and increase the volume until you hear distortion.
3. Reduce the volume to just below the distortion point (approximately 80% of full volume). This is the maximum usable musical signal for the source unit. Turning the volume beyond this point increases noise and distortion without increasing the musical signal.

Note:

Once you set the source unit volume, do not change it. Always use the volume control on the HTGEPBT9H as the master (main) volume control. The HTGEPBT9H has better electronics, a high her sound to noise ratio, and is more linear than the volume settings on any source unit available.

Adjusting the Controls

The HTGEPBT9H provides a graphic adjustment band for each of four frequency ranges:

sub,low, mid, mid-high and high frequency. You can adjust the center of each frequency band to fine tune the acoustical response to your vehicle's interior.

1. Set all frequencies to the center position.
The small dot on the control knob should be set at 12 o'clock.
2. Play your favorite music track and adjust the individual controls to suit your taste. Avoid extreme settings, which can distort musical peaks.
3. Increase or decrease the equalizer gain controls to suit your taste.
4. If your system includes a subwoofer, slowly increase the subwoofer level until you hear a solid bass.
5. If your system includes rear speakers, adjust the fader control to add rear sound. Set it so most of the music comes from the front and only fills the rear.

Setting the low-pass frequency

Set the low pass frequency switch on the top of the HTGEPBT9H to either 60Hz or 90Hz depending on the subwoofer and subwoofer amplifier requirements.

Connecting an MP3 player or video unit

1. Plug the MP3 player or video unit into the auxiliary RCA input on the back of the **HTGEPBT9H** unit.
2. Make sure the auxiliary button on the front of the unit is out, ready to receive input from the main RCA input (not the auxiliary RCA input).
3. Turn the **HTGEPBT9H** master volume to a normal listening level.
4. Press the play button on the auxiliary source.
5. Push in the **AUX** button to change to the auxiliary source.
6. Using a small flathead screwdriver, adjust the AUX gain controls located on the top of the unit so that the volume of the auxiliary source matches the volume of the main source.

Set up Wireless BT Streaming

1. Make the device you are connecting to visible.
2. Open Settings.
3. Select BT **ON**.
4. Toggle the button and tap Scan to turn **ON** BT and scan for devices.
5. Select the device you want to connect to from list "**LANZAR HERITAGE**".

Care and Maintenance

Cleaning the cabinet

Use a soft, dry cloth to gently wipe dust and dirt from the unit.

Do not use benzene, thinner, car cleaner, or other cleaners. These substances may damage the unit or cause the paint to peel.

Servicing the equalizer/crossover unit

In the event that trouble arises, never open the case or disassemble the unit.

The internal parts are not serviceable by the user. Opening any components will void the warranty.

CAUTION!

Changes or modifications to this product that are not approved by the manufacturer will void the warranty and will violate FCC approval.

INSTALLATION AND WIRING

Read these instructions and the following precautions carefully.

What's in the Box:

- 4-Band Parametric Equalizer

Before Starting

Mounting Precautions

The **HTGEPBT9H** can be mounted next to the source unit or under the dash using the mounting brackets. The front panel controls should be easily accessible from the driver's seat.

In addition:

- This unit requires additional mobile audio components for proper operation.
- Always use great care when attaching anything to a vehicle! Check clearances in front of, behind, and on both sides of the planned installation before drilling any holes or installing any screws.

Wiring Precautions

Disconnect the ground (-) terminal on the vehicle's battery.

WARNING!

To prevent short circuits during installation, always disconnect the vehicle's negative (-) battery lead before making any connections.

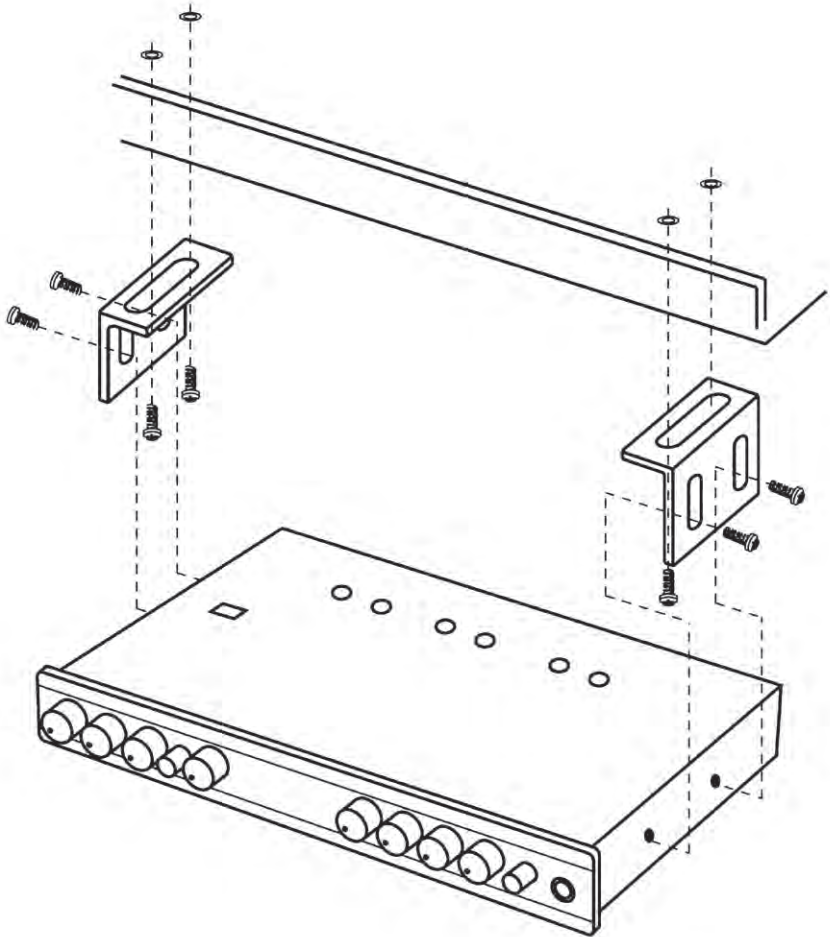
- This unit is exclusively for vehicles with a negative ground, 12V battery system.
- A good chassis ground connection is critical to minimize resistance and avoid noise problems. Use the shortest wire possible and securely connect it to the car chassis and the source unit ground.
- When routing RCA cables, keep the cables away from the power cables and output speaker wires.
- If you are using a source unit without a remote turn-on lead, the **HTGEPBT9H** can be turned on with a switched accessory lead. This accessory power source is located in the factory harness at the back of the radio. This lead turns on and off with the ignition key.
- Do not open the case. There are no user-serviceable parts inside. If you require assistance, consult your LANZAR dealer or an authorized LANZAR service center.

Tools and additional components

You will need:

- A Philips-head screwdriver when mounting the unit in the vehicle.
- A small flat-head screwdriver to adjust the **AUX** gain controls if you connect an MP3 player or video source.
- High-quality **RCA** input and output cables.
Extra cable can cause signal loss and act as an antenna for noise.
Use only high-quality **RCA** cables that are no longer than necessary to make a direct connection with the source unit and amplifiers.

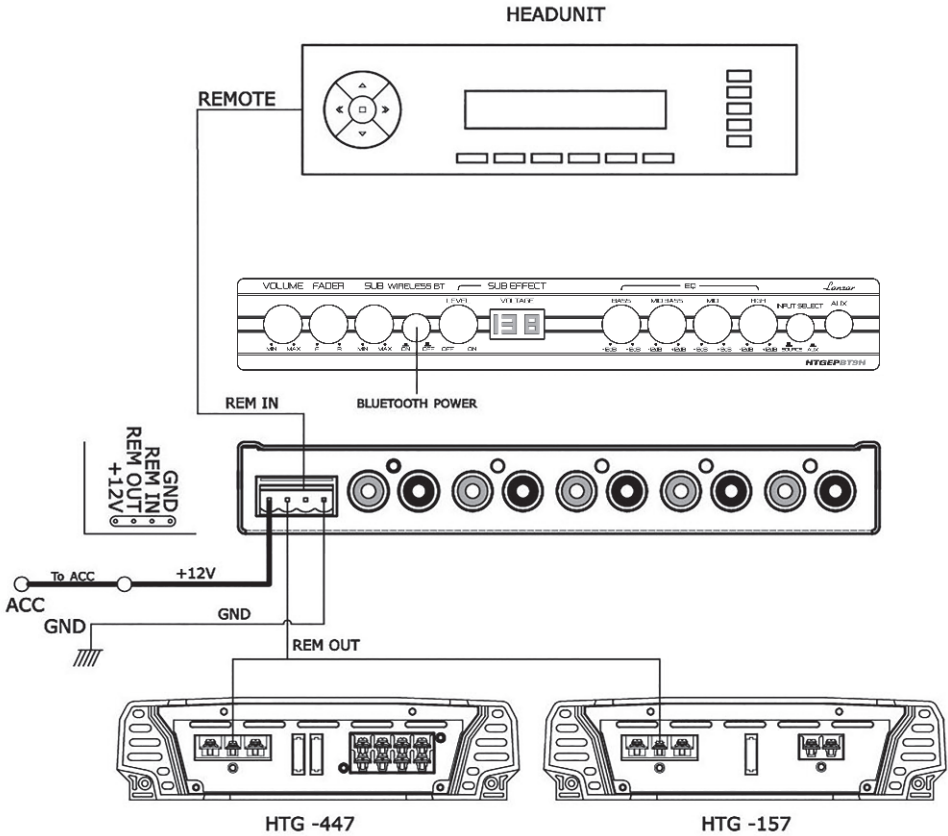
Mounting Diagram



Wiring Diagram

WARNING:

Please pay attention that the power connection of 12 Volts + is connected to a accessory switch controlled power lead. It should only receive current when the acc. key is turned on. If you connect this wire directly to the battery the amp will be powered on and drawing power even when your car is turned off. This will cause a battery drain and failure to start your car.



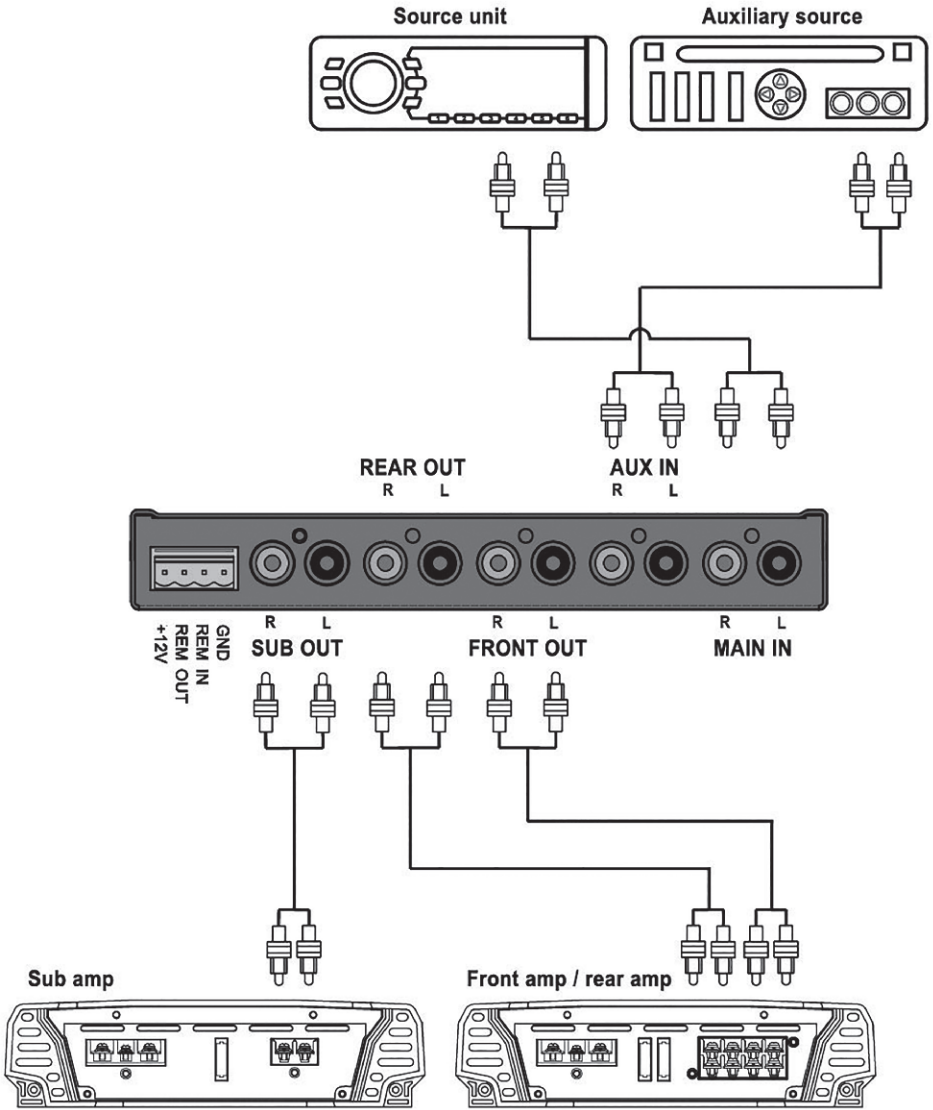
REMOTE CONDITION 1

HEAD UNIT	HTGEPBT9H		AMPLIFIER
	BLUETOOTH POWER	REMOTE OUT	
ON	OFF	ON	ON
OFF	OFF	OFF	OFF

REMOTE CONDITION 2

HEAD UNIT	HTGEPBT9H		AMPLIFIER
	BLUETOOTH POWER	REMOTE OUT	
ON	ON	ON	ON
OFF	ON	ON	ON

Wiring Diagram



Troubleshooting

The unit does not work: No lights

The power wires may not be connected. Check the power and ground wiring, then retest.

Sound is Distorted

- The source unit volume may be set too high. Reduce the source unit volume.
- Equalizer gain controls are set too high. Turn the equalizer controls to the center position and listen for distortion again. If the problem still occurs, see your authorized **LANZAR** dealer.
- Speakers may be damaged. Consult your authorized **LANZAR** dealer.

NO sound coming from the unit

- The wrong input is selected. Press the **AUX** switch to turn the main inputs on.
- No remote-on. Using a voltmeter, check for +12V from the remote-on source.

Glossary

Crossover: A device that limits the range of frequencies sent to a speaker or amplifier.

Equalization: The process of boosting or cutting sound signal frequencies to improve the quality of the sound. The term comes from the filters used to add back high frequencies at the receiving end of analog transmissions over wires.

Equalization Band: The frequency range impacted by a specific filter.

dB: Decibel, a measurement of the relative difference in power or intensity between two acoustic signals.

Gain Control: Gain is the amount of amplification (voltage, current or power) of an audio signal expressed in dB.

Graphic Equalizer: Multi-band variable equalizer that uses mechanical controls to adjust amplitude.

Hz: Abbreviation for Hertz, a unit of frequency equal to one cycle per second.

Octave: The musical principle of dividing sound frequencies into the eight notes of the musical scale.

OEM: Original Equipment Manufacturer

RCA input/output: Port through which sound travels in and out of the system; "RCA" refers to the type of connector, which was originally manufactured by Radio Corporation of America.

Slope: How fast the sound changes rated in dBs. The higher the dB number, the faster the frequency drops off.

Specifications

Features:

- Half Din Size
- Pre-amp Line Aux Inputs Via RCA Jacks
- Input Gain Adjustments
- Voltage LED indicator
- Wireless BT Audio Connectivity
- 3.5mm AUX Input Jack
- Source/Aux/ BT Input Selector
- Rotary Fader
- Output Volume Control
- Sub Output Volume/Sweep/Wide Control
- 18 dB Boost
- Low Pass Crossover selectable 60Hz/90Hz
- 4 Band Parametric Equalizer
- Blue Light Illumination
- Mounting Hardware Included

Wireless BT Streaming:

- Built-in BT for Wireless Music Streaming
- Simple & Hassle-Free Pairing
- Works with All of Today's Latest Devices
Smartphones, Tablets, Laptops, Computers, etc.
- Wireless BT Version: 4.0
- Wireless BT Network Name: '**LANZAR HERITAGE**'
- Wireless Range: Up to 32' ft.

Technical Specs:

- Construction Material: Iron and aluminium
- Power Output: DC 12V
- Pre-Amp Output: 9V RMS
- Power Dimensions (L x W x H): 4.8" x 7.2"x 1.0' -inches



Questions? Issues?

We are here to help!

Phone: (1) 718-535-1800

Email: support@lanzar.com