

**Hurtle**



**Hurtle**

*HURSHL10 - HURSHL18*

**Wireless BT Smart Skate Helmet**

Rechargeable Helmet with Wireless Turn Signal  
& LED Warning Lights, Includes Remote Control

**User Manual**

## Please read all the instructions carefully before using your new Helmet

Protective helmets are categorized as personal protective equipment and help prevent or at least significantly mitigate head injuries.

Please take some time to read the following contents for better understand of how to use your helmet. It is for your safety and maximum comfort.

You will notice we share your passion for cycling.

### PRODUCT

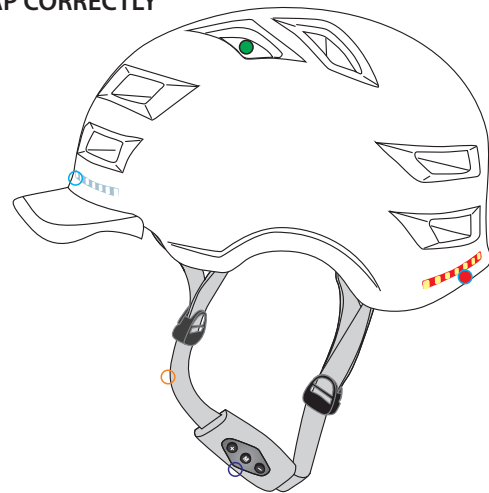
Like cars, we have now equipped lights and blinkers for bicycle helmets, on the back and front of the helmet. Using a remote control mounted on the handlebars, the blinkers can be switched in the desired direction and depending on the model, you can also enjoy a hands-free speaker device integrated into the helmet, for example to listen to music. The helmet works with a Duplex radio communication that controls both the blinkers, and is connected to the mobile phone by Wireless BT.



### CONTENTS

1. GENERAL INFORMATION
2. CHARGE, WAKE UP AND CONNECT
3. USER INSTRUCTION / WIRELESS BT SKATE HELMET
4. HOW DO I ADJUST THE SIZE AND STRAP CORRECTLY

- Front Turn Signal
- Back Turn Signal
- Air Hole
- Insurance rope
- Control Button



## 1. GENERAL INFORMATION

This helmet is a high-quality protection for cyclists, skaters and scooters.

### EN 1078 / CPSC:

This helmet is intended only for pedal cyclists. It is not designed for motor vehicle use or other sports. If your helmet bears a CPSC designation it meets the CPSC Safety Standard for bicycle helmets. If your helmet bears a CE 1078 designation it meets the CE requirements of a helmet intended for pedal cyclists. If your helmet bears an AS/NZ 2063:28 designation it meets the bicycle helmet standard for Australia and New Zealand.

2012 Europäische Norm von Helmen für  
Rad-fahrer und für Benutzer von  
Skateboards und Rollschuhen.



### WARNING!

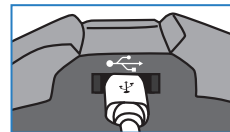
This helmet should not be used by children while climbing or doing other activities when there is a risk of strangulation/hanging if the child gets trapped with the helmet.

## 2. CHARGE, WAKE UP AND CONNECT

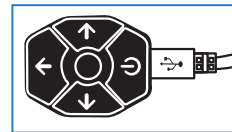
Please refer to the function that your helmet has.

## 2.1. TURN SIGNAL FUNCTION

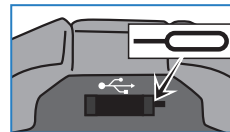
- Please charge the helmet (like shown in image \*1) for about 4 hours, turn signal indicators stop flashing when fully charged.
- Please charge the remote (like shown in image \*2) for about 2 hours. The red LED indicator stops blinking when fully charged.



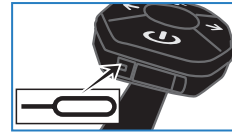
\*1



\*2



\*3



\*4

Your Wireless BT Smart Skate Helmet is still in sleep mode (Battery Safe Mode), this is because of no using in 1 week. Press the reset button on the helmet with a needle as shown in image \*3.

All the LED lights on the helmet flash quickly.

At this time, press the reset button the remote control as shown in image \*4.

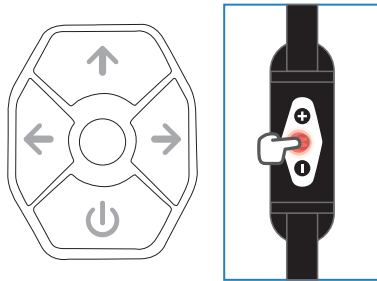
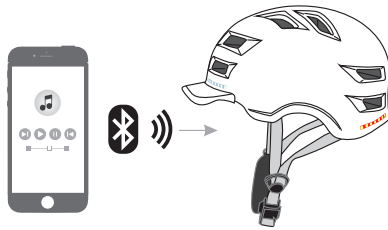
Now the helmet is standby.

## 2.2 WIRELESS BT FUNCTION

Get the helmet fully charged first.

Then, please follow below procedures to pair the **Wireless BT Smart Skate Helmet** with your mobile phone.

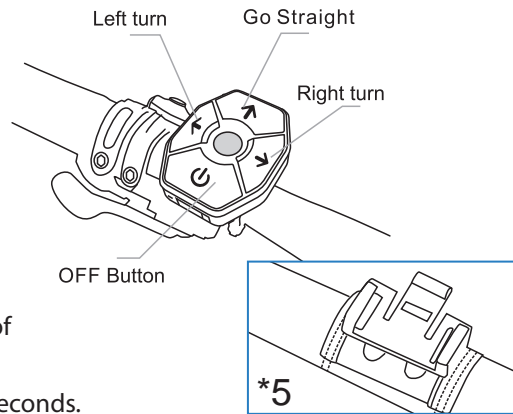
1. Press the M button on chin strap until red and blue LED flashes alternatively (the red LED lights up first, means the helmet is on, but Wireless BT is not on).
2. Now turn on the Wireless BT function of your smart phone and try to connect Wireless BT equipment named as **"HURSHL10 or HURSHL18"**.
3. When successful connected, you will hear a voice reminder says: your headset is connected, and the blue LED flashes every 4 seconds as confirmation of the successful pairing.
4. If the helmet stand by for 10 minutes without successful connection, it will go off automatically.



## 3. USER INSTRUCTIONS

### 3.1 REMOTE CONTROL

1. Fix the fastening base on the steering bar with the cable ties, as shown in image \*5.
2. **Turn on the Smart Helmet:** Press the left, right or straight button.
3. **Blinker left:** Press the left button if you want to turn left. The blinker on the left of the helmet turns on and back to straight indication status automatically after 20 seconds.
4. **Blinker on the right:** Press the right button if you want to turn right. The blinker on the right of the helmet switches on and back to straight indication status automatically after 20 seconds.
5. **Straight:** The straight button switches the lighting back to going straight status, for example; in turning status, use it when you want to cancel the turn signal status beforehand.
6. **⏻ key:** Turn off the helmet. Please hold the button for 2 seconds.



**Note:** If the helmet does not follow the key strokes, a tiny red LED near the button you press flashes quickly. In this case, please check whether the helmet and the remote control not paired or the helmet is out of power.

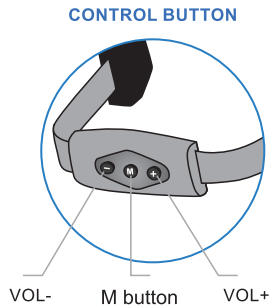
Red LED near button flashes during charging, and turns off when fully charged.

### 3.2 OPERATING A HURTLE SMART TURN SIGNAL HELMET

1. **Turn on the smart helmet:** Press the left, right or straight button on the remote control.
2. **⏻ key:** Turn off the helmet. Please hold button on the remote control for 2 seconds.

### 3.3 OPERATING A HURTLE SMART WIRELESS BT HELMET

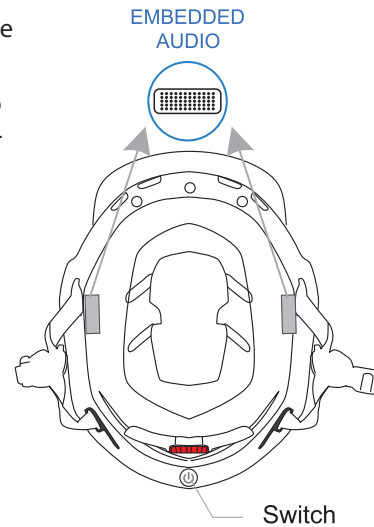
1. **Answer a call:** When there is an incoming call, you can press the M button on the chin strap or operate on the phone to answer the call.
2. **Reject a call:** When there is an incoming call, you can hold the M button on the chin strap for 3 seconds or operate on the phone to reject the call.



3. **Start a call:** When double click the M button on chin strap, you will be calling the last record on your contact history. You need to operate on the phone if calling other numbers. (if you have a voice assistant in the phone, press M button for 2 seconds to reach the assistant and get help from it for calling.
4. **End a call:** Press the M button on chin strap or operate on the phone to end a phone conversation.
5. **Volume control:** During the phone call or listening to music, speaker volume can be adjusted. Hold the + or – button to turn the volume up or down.

**Note:** The volume of music and that for phone conversation are independent to each other. When music volume is loudest, the phone call might not, need to adjust separately.

6. **Music Play:** During music play, press + or –button once to change the song to be next or previous one.



#### 4. HOW DO I ADJUST THE SIZE OF MY HELMET AND FITS ME CORRECTLY

The **Wireless BT Smart Skate Helmet** you have just purchased provides protection, whether on or off the road. To insure proper use of this helmet, familiarize yourself with its features, fit and care by carefully reading through this manual before wearing your new helmet.

##### Protection and Ventilation

The outer shell allows the helmet to be rated one of the lightest helmets while providing excellent durability and integrity. The multiple vents with inner air channels draw the air through the helmet and over the brow for maximum cooling.

##### Pad Fitting

The helmet must fit properly to be effective. With a proper fit, the helmet will not move back and forth or side to side while fastened. If the helmet does not fit with installed pads, simply remove them and install a different size pad. To insure the proper fit, mix and match the pad thickness to best conform to your head shape.

##### Retention System

This **Wireless BT Smart Skate Helmet** uses a quick-release buckle that is simple and can be buckled and unbuckled without changing the adjustment.

The straps must be snugly and evenly tensioned. Place the helmet firmly on your head and fasten the buckle.

Notice which strap is loose. Tighten the loose strap after removing the helmet.

To tighten the chin strap, hold the buckle with one hand.

Then pull the excess strap in through. (See Diagram A).

To tighten the rear strap, pull excess from the rear of strap 2. Hold the helmet with one hand.

With the other hand, hold the strap where they pass under your chin. Then pull from side to side to balance the length of all four straps. (See Diagram B)

The helmet must sit firmly and level on your head.

(See Diagram C) To lower the front of the helmet to cover your forehead, tighten the chin strap and loosen the rear strap. To raise the front, loosen the chin strap and tighten the rear strap. To check for proper tension, put on the helmet and fasten the buckle.

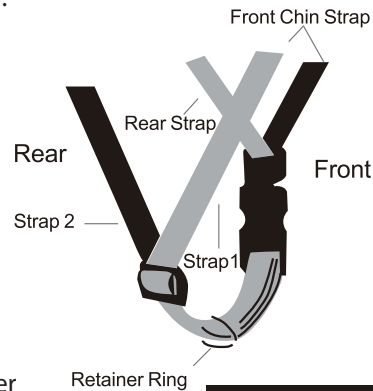


DIAGRAM A

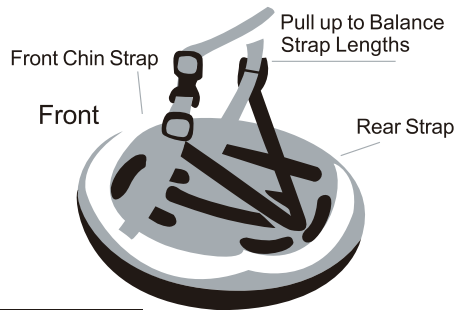


DIAGRAM B

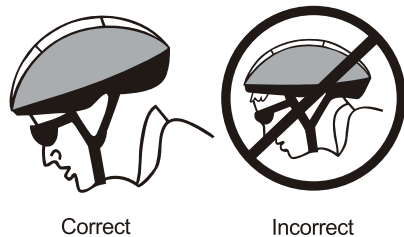


DIAGRAM C

Open your mouth. You should feel the strap pulling against your chin. Then attempt to pull the helmet off the front or rear. If the helmet comes off, increase strap tension and examine if thick enough pads are being used. The helmet should not be able to roll forward or backward excessively. It should not be possible to remove the helmet without unfastening the buckle.

**NOTE:** Please check adjustment every time this helmet is worn.

### Final Check

The important thing to remember is that the helmet fits snugly. If you can fit it forward or backward, you need to tighten the strap adjustment.

The straps should be positioned that they do not cover the ears and that the buckle is away from the jaw when correctly fitted. Buyer should always try different sizes and choose the size which feel secure and comfortable on the head.

It is important for the helmet to fit snugly on your head and must be fastened to provide maximum protection.

All adjustments should be checked each time the helmet is worn, making sure it fits snugly at all time.

### Caring for Your Helmet

Clean the headgear with mild soap and water only. The use of any solvents, paints or decals can cause damage to the helmet and make it ineffective in the result of an accident.

## Keep Helmet Out of Extreme Heat

Helmet will be damaged if exposed to temperatures exceeding 150°F. Dark vehicles and storage bags can exceed this on very hot days, Heat damaged helmets will have random disfigured areas where the texture appears bubbly and uneven. If damaged, helmets should be destroyed and replaced immediately.

## Important Information

This headgear is designed to absorb the energy of a blow by partial destruction or damage itself. Even though such damage may not be visible, the helmet should be destroyed or replaced, if it is involved in an injury-related fall.

Unfortunately some accidents result in head injury that cannot be prevented by any helmet. Depending on the type of impact, even very low speeds can result in a serious head injury or fatality. Always ride with extreme caution and be sure to read this manual thoroughly.

## Wireless BT Smart Skate Helmet

### WARNING

The **Wireless BT Smart Skate Helmet** is designed and intended exclusively for use while cycling, and other non-motorized sports.

It is not intended for and will not provide adequate safe protection if used during motor-sport or moped use. No helmet can protect the wearer against all unforeseeable impacts. However, for maximum protection, the helmet must fit well and all retention straps must be securely fastened.

It's danger to modify or remove any of original component parts of the helmet other than as recommended by the manufacturer; The helmet should not be adapted for the purpose of fitting accessories in a way not recommended by the manufacturer. The helmet shall be replaced after 3 years, since the manufacture date.

For the used helmet disposal, please follow up the local disposal law for the waste product.

## THIS HELMET MEETS CE EN 1078: 2012 + A1: 2012 / CPSC HELMET STANDARDS

### IMPORTANT!

**This helmet has passed EN 1078: 2012 + A1: 2012 / CPSC to show conformity to the respectively Regulation EU 2016/425. EU declaration of conformity will pack with product for sell.**





This device complies with Part 15 of the FCC Rules. Operation is subject to the following two conditions: (1) this device may not cause harmful interference, and (2) this device must accept any interference received, including interference that may cause undesired operation.

**FCC Caution:**

Changes or modifications not expressly approved by the part responsible for compliance could void the user's authority to operate the equipment.

**FCC Statement:**

"This equipment has been tested and found to comply with the limits for a Class B digital device, pursuant to part 15 of the FCC Rules. These limits are designed to provide reasonable protection against harmful interference in a residential installation. This equipment generates, uses and can radiate radio frequency energy and, if not installed and used in accordance with the instructions, may cause harmful interference to radio communications. However, there is no guarantee that interference will not occur in a particular installation. If this equipment does cause harmful interference to radio or television reception, which can be determined by turning the equipment off and on, the user is encouraged to try to correct the interference by one or more of the following measures:

- Reorient or relocate the receiving antenna.
- Increase the separation between the equipment and receiver.
- Connect the equipment into an outlet on a circuit different from that to which the receiver is connected.
- Consult the dealer or an experienced radio/TV technician for help."

**Warm prompt:** The parameters are subject to that of physical product. There might be changes without prior notice.

Version: January 2019



## Features:

- Rugged, Lightweight & Durable Helmet Design
- Safe & Secure Locking Click-Buckle
- Fortified Impact Resistant Shell
- Comfortable Form-Fitting Style
- Breathable Airflow Ventilation
- Safety Certified & Approved
- Lab Tested to Significantly Reduce Damage
- Convenient Adjustable Knob Dial System
- Removable Inner Lining Padded Cushions
- Recommended for Teens and Adults
- Remote Control Mounted on the Handlebars
- Built-in Rechargeable Helmet and Remote Control
- Used for Bike, Tricycle, Skateboard, Scooter, Roller Skates
- Built-in LED Warning Lights and Flashing Turn Signals
- Includes Speaker on the Chin Pad of the Helmet
- Manually Finds the Corresponding BT Name Matches in the BT of the Mobile Phone
- Can Adjust the Voice Through Button of the Chin Pad
- Can Dial the Last Contact Person by Long Pressing the Middle Button of the Chin Pad

## What's in the Box:

- Skate Helmet
- PE Bag & Colored Box
- Rechargeable Remote Control
- USB Cable (Data Line)
- Desiccant
- Cable Tie
- Base
- Needle
- Sticker

## Technical Specs:

- Construction Material: Polycarbonate (Exterior Shell), PSI-205T High-Density EPS Polystyrene Foam (Interior)
- Recommended Head Circumference: Adjustable Medium Size (55-58cm), Large (58-61 cm)
- Charging Time: 4 Hours (Helmet), 2 Hours (Remote Control)
- Battery Type: Li-ion Battery
- Rate Capacity/Energy: 3.7V, 1000mAh, 3.7Wh
- Power Supply: 12V DC
- Wireless BT Version: 4.1
- Max. Wireless BT Transmission Power: 5 dBm
- Wireless BT Frequency Band: 2402MHz-2480MHz
- Sound Pressure Level: 88~1kHz
- Storage Temperatures:-30~+70°C
- Working Temperature:-20~60°C
- Nominal Impedance: 8Ω±
- Charge Limit Voltage: 4.2V
- **Total Helmet Size (L x W x H):**  
**HURSHL10:** 11.42" x 8.66" x 6.14" –inches  
**HURSHL18:** 11.81" x 8.78" x 6.5" –inches

## Questions? Issues?

We are here to help!

Phone: (1) 718-535-1800

Email: [cs@hurtleusa.com](mailto:cs@hurtleusa.com)