



JOVIAL

JOVGF2W

Foldable 2-Wheel Golf Pull Cart

Aluminum Pull Cart, Upper & Lower Brackets
with Elastic Strap, Without Umbrella Holder

USER GUIDE

WARNING:

- For your own safety, please read and understand these warnings and keep this user guide for future reference.
- Always make sure the cart is fully extended and locked before use. Always make sure the cart is folded and locked properly before lifting or transporting.
- Do not run while using this product.
- Do not use accessories other than those designed for use with your cart.
- Keep all packing materials away from children and recycle where possible or where required by law.

MAINTENANCE

- To clean the trolley, wipe with a soft, dry cloth.
- Car polish may be used to maintain finish.
- Lubricate moving parts every 6 months.

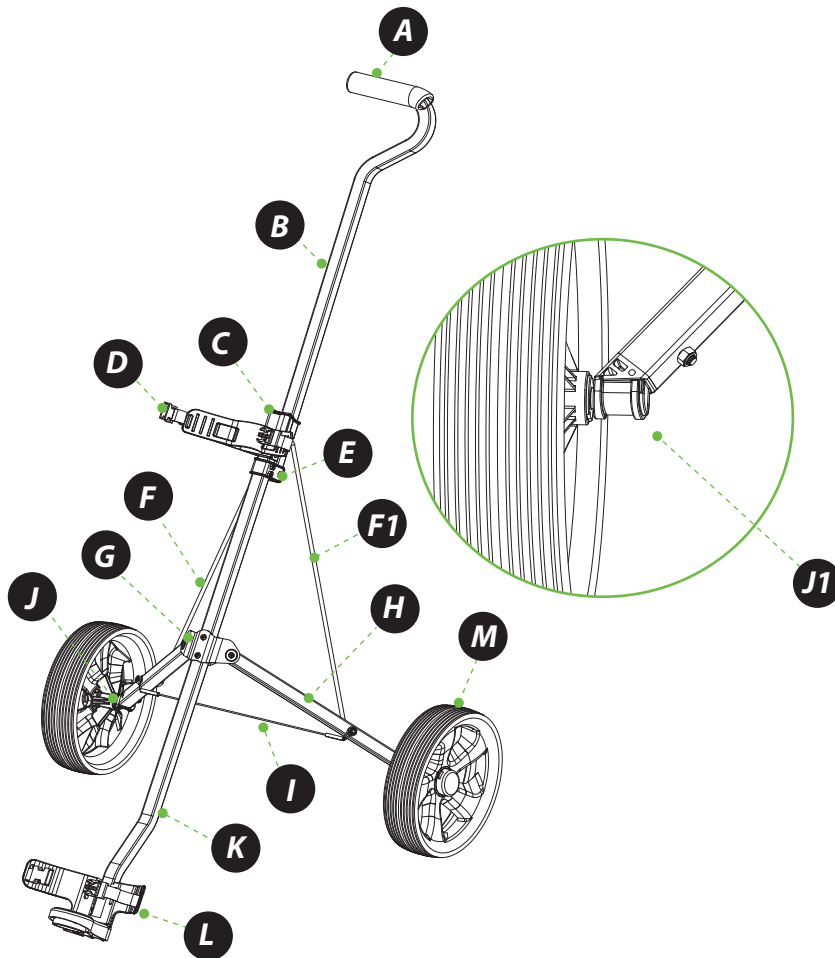
WARNING:

- Keep hands and fingers away from moving or sliding parts!
- Always keep control of the Pull Cart - Do not let it run down hills without full control.

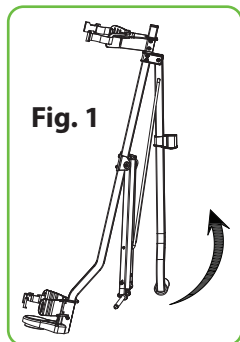


PARTS LIST

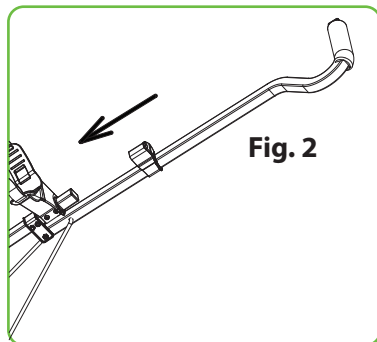
- A** Foam Handle
- B** Hand Grip
- C** Sliding Lock
- D** Upper Bracket
- E** Joint
- F** Left Weight Stabilizer
- F1** Right Weight Stabilizer
- G** Leg Bracket
- H** 3 Holes Leg Frame
- I** Anti-Splay Wire
- J** Left Wheel Mechanism
- J1** Right Wheel Mechanism
- K** Main Frame Tube
- L** Lower Bracket
- M** Rear Wheel



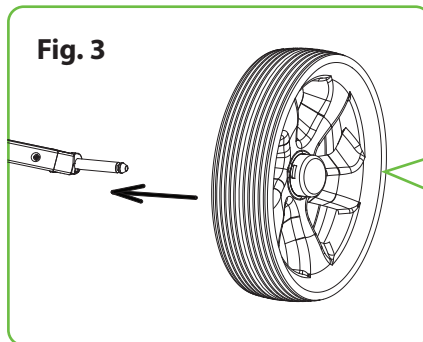
ASSEMBLY DETAILS



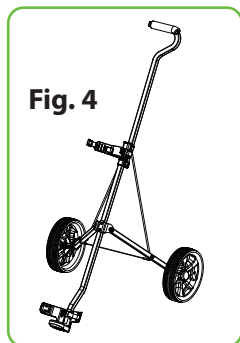
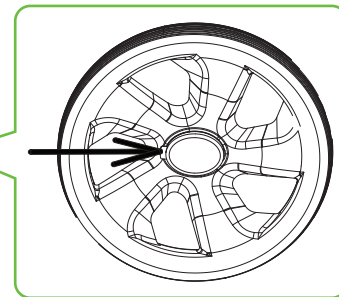
Lift the handle to level position as Fig. 1



Move the slide lock downside and lock to upper bracket as Fig. 2

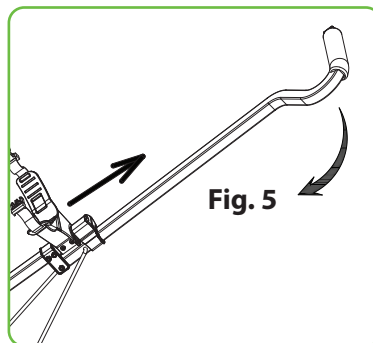


Push the steel piece on the wheel lock mechanism to assemble the rear wheel as Fig. 3.



Completely unfolding and assembly as Fig. 4.

FOLDING STEPS



Move the slide lock toward upper and fold the handle as Fig. 5.

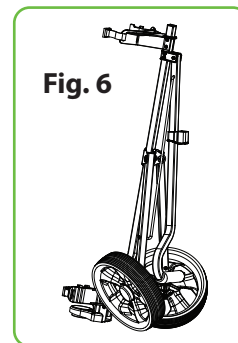


Fig. 6 shows the folded position.

FEATURES:

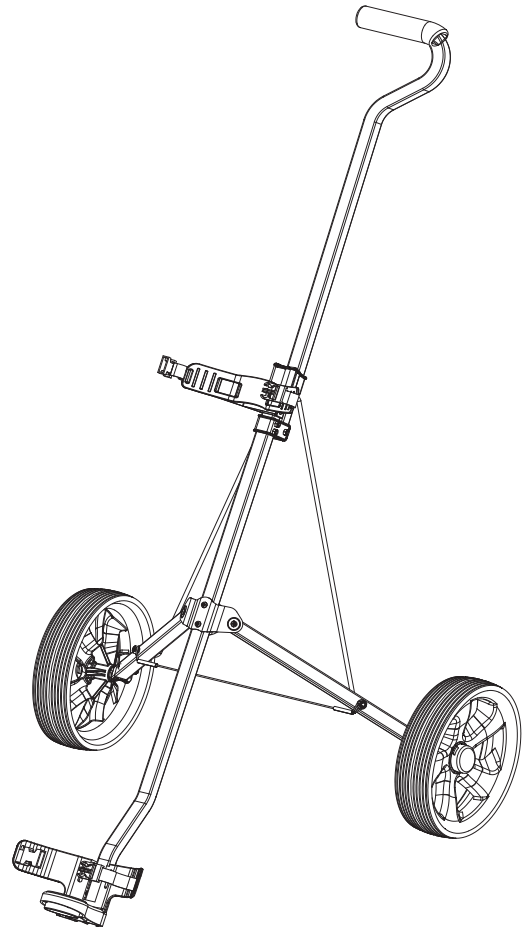
- New Deluxe 2-Wheel Aluminum 2-Wheel Pull Cart
- Lightweight and Foldable Golf Trolley
- Includes Foot Brake for Rear Wheel
- Upper and Lower Bracket with Elastic Strap
- TPE Handle Grip
- Push Button System
- Ergonomic Padded Adjustable Handle
- Simple Quick Braking System
- Durable and Compact Size for Easy Storage and Transportation
- Easy to Fold and Unfold
- Designed for Multiple Pushing Positions
- Umbrella Holder Not Included
- *Assembly Needed

WHAT'S IN THE BOX:

- (1) 2-Wheel Golf Push Cart

TECHNICAL SPECS:

- Construction Material: Steel Frame
- Max. Load Capacity: 28.7 lbs.
- Rear Wheels Size: 9.5" -inches
- Folded Product Dimension (L x W x H): 13.6" x 16.7" x 34.6" -inches
- Unfolded Product Dimension (L x W x H): 40.1" x 26.3" x 43.3" -inches





JOVIAL

Questions? Comments?

We are here to help!

Phone: (1) 718-535-1800

Email: support@pyleusa.com

