



JOVIAL

JOVGF52

Foldable 2-Wheel Junior Pull Cart

New Deluxe Scorecard Holder,
Upper & Lower Brackets with Strap

USER GUIDE

WARNING:

- For your own safety, please read and understand these warnings and keep this user guide for future reference.
- Always make sure the cart is fully extended and locked before use. Always make sure the cart is folded and locked properly before lifting or transporting.
- Do not run while using this product.
- Do not use accessories other than those designed for use with your cart.
- Keep all packing materials away from children and recycle where possible or where required by law.

MAINTENANCE

- To clean the trolley, wipe with a soft, dry cloth.
- Car polish may be used to maintain finish.
- Lubricate moving parts every 6 months.

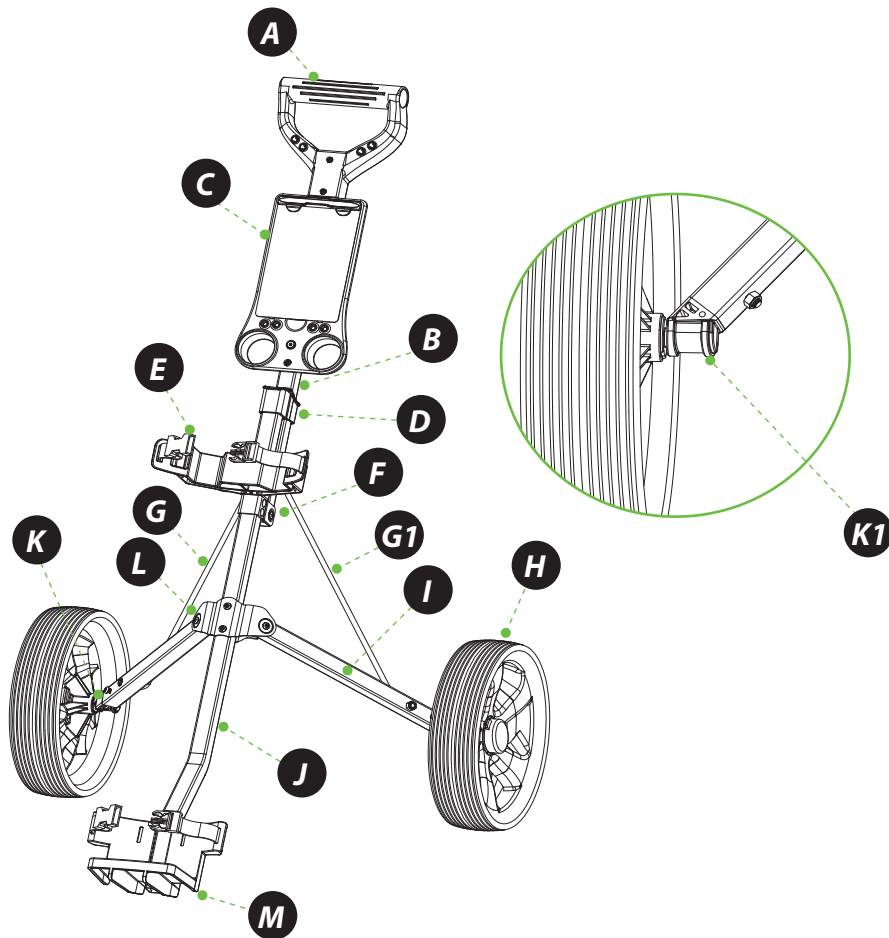
WARNING:

- Keep hands and fingers away from moving or sliding parts!
- Always keep control of the Pull Cart - Do not let it run down hills without full control.



PARTS LIST

- A** Handle
- B** Upper tube
- C** Scorecard Holder
- D** Sliding Lock
- E** Upper Bracket
- F** Joint
- G** Left Weight Stabilizer
- G1** Right Weight Stabilizer
- H** Rear Wheel
- I** 3 Holes Leg Frame
- J** Main Frame Tube
- K** Left Wheel Locking Mechanism
- K1** Right Wheel Locking Mechanism
- L** Leg Bracket
- M** Lower Bracket



ASSEMBLY DETAILS

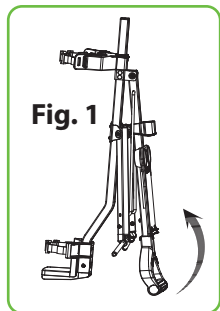


Fig. 1

Lift the handle to level position as Fig. 1

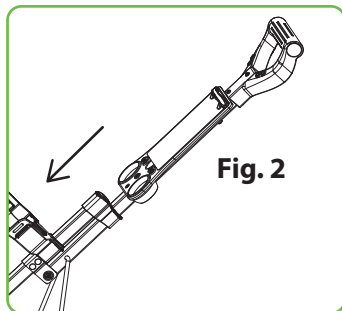


Fig. 2

Move the slide lock downside and lock to upper bracket as Fig. 2

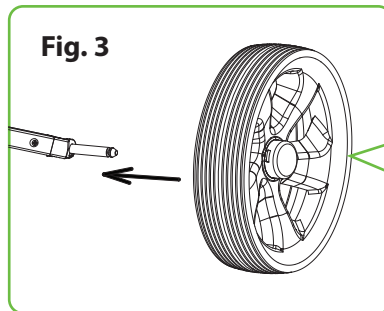
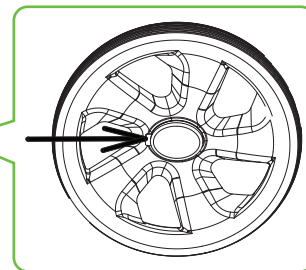


Fig. 3

Push the steel piece on the wheel lock mechanism to assemble the rear wheel as Fig. 3.



FOLDING STEPS

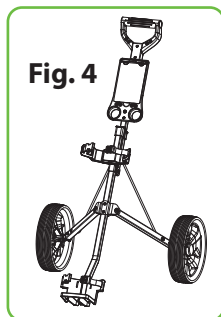


Fig. 4

Completely unfolding and assembly as Fig. 4.

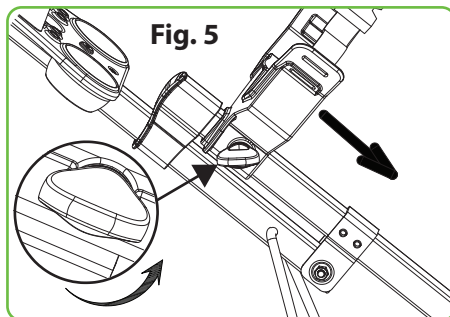


Fig. 5

The adjustable upper bracket can be moved up/down as Fig. 5 & suits for stand golf bag size from 22.5" to 25".

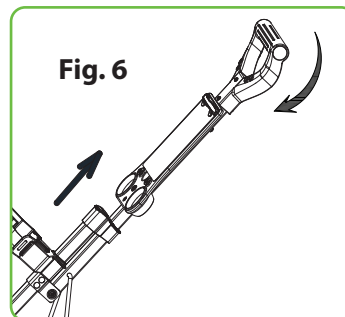


Fig. 6

Move the slide lock toward upper and fold the handle as Fig. 5.

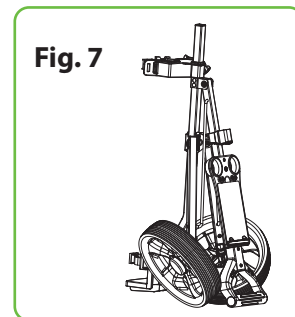


Fig. 7

Fig. 7 shows the folded position.

FEATURES:

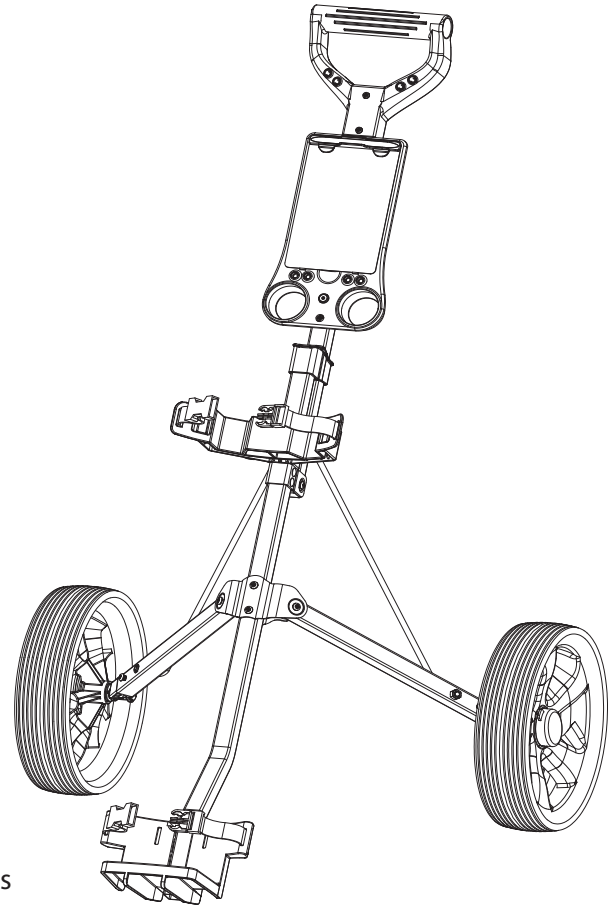
- New Deluxe Scorecard Holder
- Upper and Lower Bracket with Strap
- Foam Handle Grip
- Ergonomic Padded Adjustable Handle
- Includes Scorecard Holder, and Patented Bag Holder
- Simple Quick Braking System
- Durable and Compact Size for Easy Storage and Transportation
- Easy to Fold and Unfold
- Designed for Multiple Pushing Positions

WHAT'S IN THE BOX:

- (1) 2-Wheel Junior Pull Cart

TECHNICAL SPECS:

- Construction Material: Steel Frame
- Max. Load Capacity: 28.7 lbs.
- Rear Wheels Size: 9.5" -inches
- Folded Product Dimension (L x W x H): 11.8" x 14.8" x 28" -inches
- Unfolded Product Dimension (L x W x H): 29.6" x 22.6" x 35" -inches





JOVIAL

Questions? Comments?

We are here to help!

Phone: (1) 718-535-1800

Email: support@pyleusa.com

