

# Jovial

**Questions? Comments?**  
We are here to help!  
Phone: (1) 718-535-1800  
Email: [support@pyleusa.com](mailto:support@pyleusa.com)

# Jovial



**JPC20BK**  
**Portable Folding Baby Stroller**  
Compact & Portable Stroller

**USER GUIDE**

## WARNINGS!

**ALWAYS FOLLOW THE MANUFACTURES INSTRUCTIONS.  
READ ALL INSTRUCTIONS CAREFULLY BEFORE ASSEMBLY AND  
USE OF THIS STROLLER.**

**THE CORRECT USE AND MAINTENANCE OF THIS PRODUCT IS ESSENTIAL.**

### WARNINGS: TO AVOID INJURY OR DEATH:

**ALWAYS APPLY THE BRAKES WHENEVER THE STROLLER IS STATIONARY.**

1. NEVER leave child unattended! This Baby Stroller is suitable for children 6 months to 36 months. Recline the seat to the most reclined position for New born babies until they can sit up unaided.
2. Please check and make sure all the components are securely installed and well connected before using.
3. SECURE THE CHILD IN THE HARNESS AT ALL TIMES.
4. IT IS RECOMMENDED TO REMOVE THE CHILD FROM THE STROLLER BEFORE GOING UP OR DOWN STAIRS OR ESCALATORS.
5. Overload or incorrect folding using the incorrect spare parts, might cause damage and make this Baby Stroller unsafe.
6. The maximum load of this Baby Stroller is 15kg , the maximum load of basket is 2.5kg, please avoid overloading.
7. This product is not suitable for running and skating.
8. Ensure all users are familiar with the products operation.  
It should always open and fold easy, if it does not, do not force the mechanism - stop and read the instructions.
9. Do not use your pushchair in a manner for which it is not designed.
10. DO NOT allow children to climb into stroller unassisted, play with or hang onto your Baby Stroller.
11. Always apply the brakes when stationary and hold on to your Baby Stroller when close to moving road vehicles or trains. Even with the brake on, the draught from the vehicle may move the stroller.
12. Never carry a second child on your pushchair.

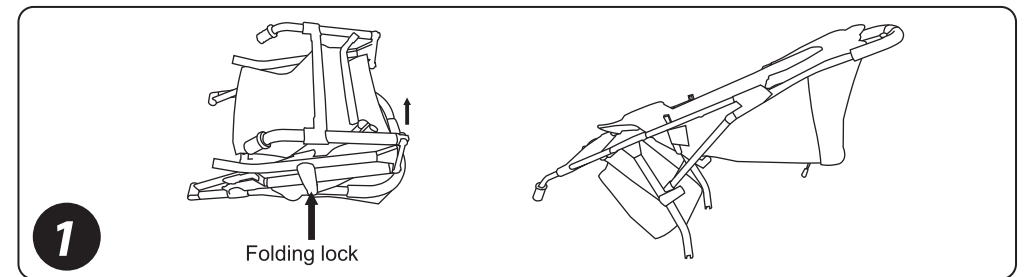
### WARNING:

**Always lock the swivel wheels when locking the stroller on.**

## PARTS LIST



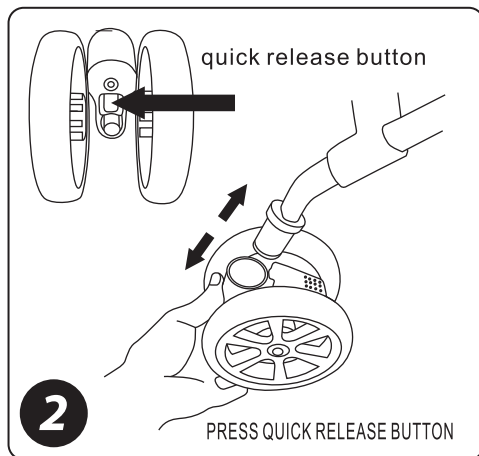
## Operation Instruction



### OPENING THE STROLLER

Open the folding lock, then lift up the handle bar and move forward the stroller until you hear 'click', make sure the frame is opened in full position.

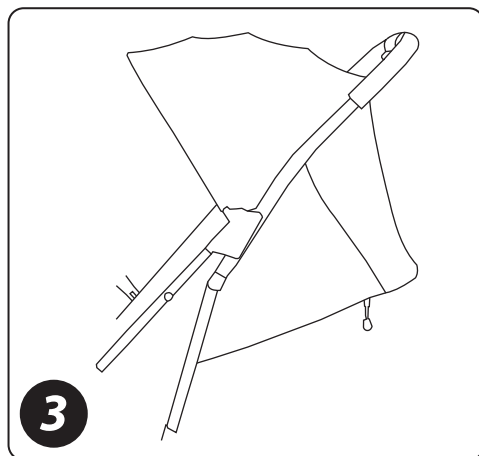
**Warning:** Ensure that all locking device are engaged before use.



### ASSEMBLE FRONT WHEELS

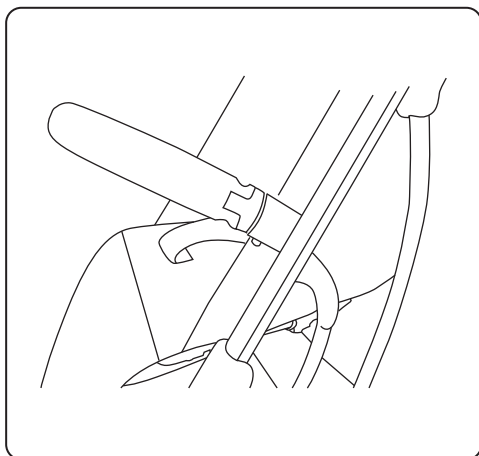
Insert the front wheel peg into the plastic base until you hear a click.

Press down the button on the plastic base and pull the wheel set out.



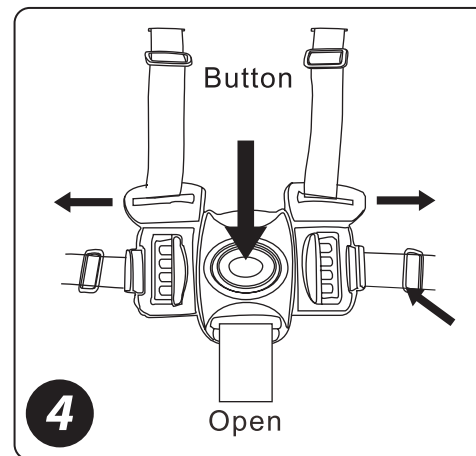
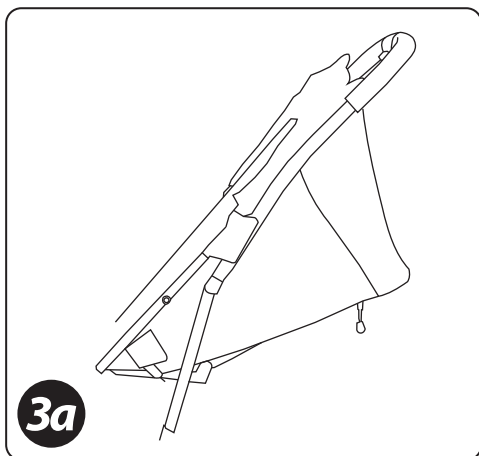
### HOW TO ADJUST THE CANOPY

Pull forward or press back ward the canopy wire to open or close the canopy.



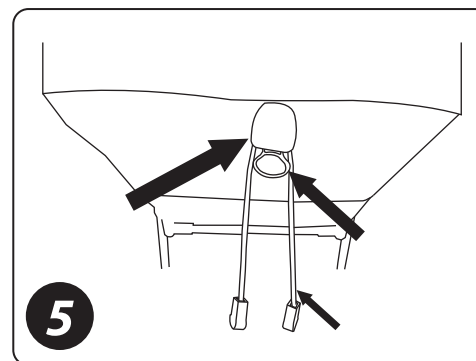
### ATTACH THE BUMPER BAR

Slide the ends of the bumper bar over the mouldings on the side of your stroller. Keep sliding it down until the latch clicks into place on both sides. Push firmly upwards to ensure that it is attached securely.



### HOW TO USE THE RESTRAINT SYSTEM

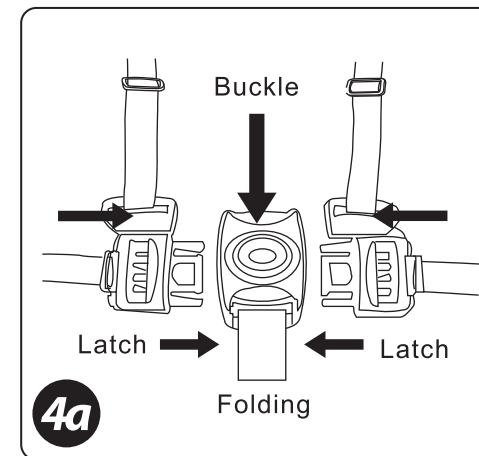
To unlock buckle press on on the centre button and pull harness out from each side. To buckle, push each side of harness back into buckle until each side clicks in place.



### HOW TO ADJUST THE BACKREST

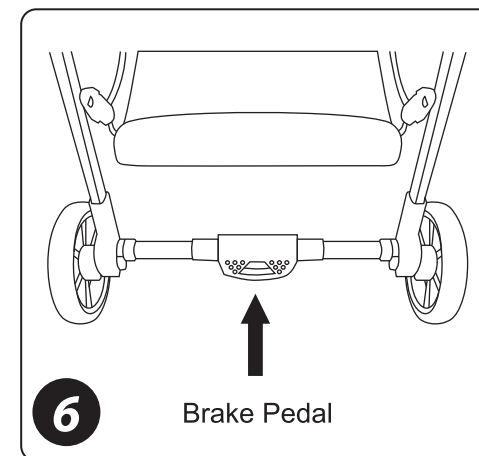
Press the adjuster and push seat forward to raise seat upright. To lower backrest, pull the button ring downwards and slide the adjuster until the seat is in the desired position.

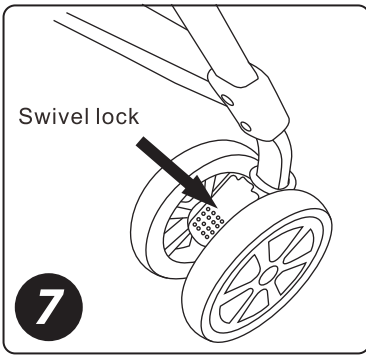
To raise the backrest push and slide the adjuster upwards whilst holding the belt.



### BRAKE SYSTEM

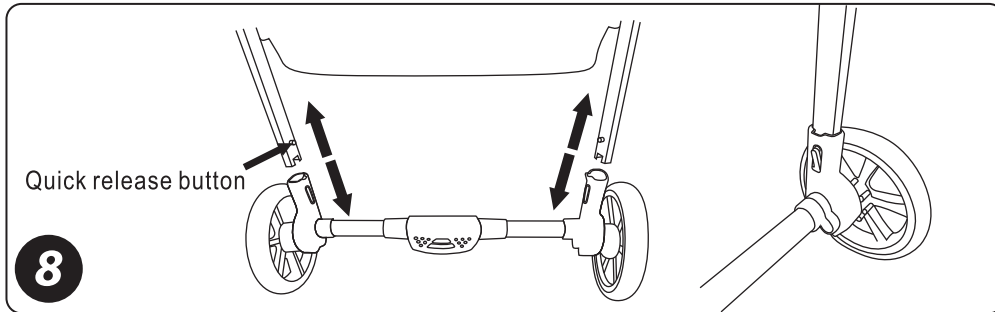
Step the brake pedal to stop the stroller. To release the brakes, lift the brake pedal.





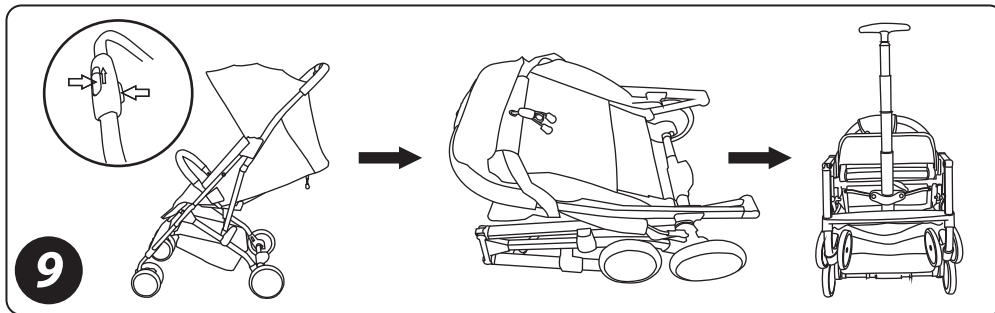
### FIXING DIRECTION AND ROTATING THE FRONT WHEELS

Lift up the front wheel swivel lock to fix the direction, press it down to rotate freely.



### FITTING THE REAR WHEELS

Push the rear leg frame into the plastic rear wheel housing. Ensure the quick release button on the legs located at the holes in the mounts and CHECK if it is securely attached. Press the quick release button and pull the rear axle assembly to clear.



### FOLDING THE STROLLER

Move the secondary lock to the left and pull the folding trigger button upward and then downward the stroller to autolock. Lift out the luggage carrier then the stroller can draw away.

### Maintenance

1. To ensure your baby's safety, please check and keep good maintenance periodically.
2. Please use brush to clean the covers, use neutral detergent solution or the best natural soap powder for cleaning.
3. Please periodically check product in case of losing parts, broken components or wearing thread. Please change damaged parts if necessary.
4. Please operate or disassemble the stroller according to the instruction manual.

### Features:

- Compact, Lightweight & Folding Design
- Spacious & Comfortable Seating
- Reclining Baby Seat & Leg Rest
- Adjustments Allow your Infant to Sit-up or Lay Down
- Near Flat Lay for Bassinet-Style Care
- Retractable Canopy Sun Visor
- Accessible Bottom Storage Tray Basket
- One-Hand Folding Operation for Quick Setup
- Easy Maneuvering Rolling Wheels
- Reliable 5-Point Safety Harness
- Locking Front Wheels for Straight Strolling
- Foot Activated Parking Brake
- Perfect for Travel & Car Storage
- Rugged & Durable Aluminum Frame
- Convenient Baby Stroller for Infants and Children up to 3 Years



### What's in the Box:

- Folding Baby Stroller
- Storage/Travel Bag

### Technical Specs:

- Construction Materials: Engineered Aluminum Frame
- Maximum Weight Capacity: 35 lbs.
- Total Dimensions: 39.8" x 18.7" x 32.3" -inches
- Folded Dimensions: 18.9" x 10.6" x 22.0" -inches