

# Lanzar

## SPECIFICATIONS



**MAXP64**  
**MAXP84**  
**MAXP104D**



**MAXP124D** **MAXP154D**

Lanzar

WWW.LANZAR.COM

### MANUFACTURER'S LIMITED ONE YEAR WARRANTY

LEGACY INC.warranties this unit to be free from defective material or workmanship and will repair or replace this unit or any parts there of if it proves defective in normal use or service within one(1) year from the date of original purchase.

Our obligation under this warranty is limited to the repairing or replacing at our discretion,the defective instrument or any part there of when it is returned, transportation must be prepaid to the LEGACY Service Center at the address below.This warranty will be considered void if the unit has been tampered with, improperly serviced, subjected to abuse or misuse or if installed in a commercial vehicle.This warranty does not cover accidental damage.When returning this unit for service,please include \$15.00 for return postage and handling.

Send your unit to:

LEGACY SERVICE CENTER  
1600-63rd street  
BROOKLYN,New York 11204 USA

IMPORTANT: Pack carefully in original carton if possible.We are not responsible for damage incurred in returning items for repair,A letter stating your exact street address,daytime phone number and a brief statement describing the problem you are experiencing should be included,You must also enclose a copy of the original receipt as proof of purchase.

Registor Online@www . Lanzar.com

### About Lanzar MAXP Series Woofer

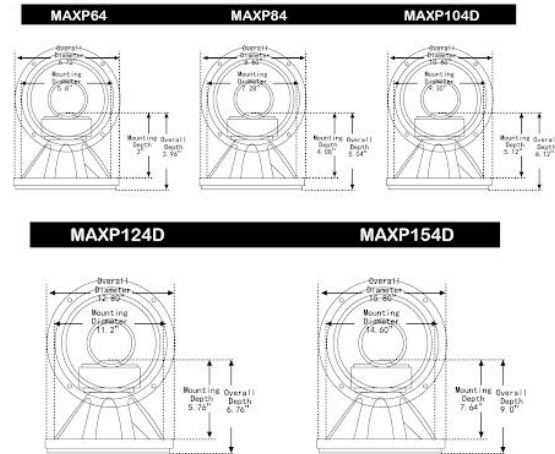
#### congratulations:

You have just purchased one of the most advanced Subwoofer in the history of car audio, Lanzar MAXP Series Woofer is the latest Series, which has been designed and engineered for consistent and high performance

Let's enjoy the nice music that Lanzar MAXP Woofer provided

#### Basic Features of Lanzar MAXP Series Woofers :

- \* Non-Press Paper Cone
- \* Non-fatiguing Blg Foam Suspension
- \* Bumped & Vented Extended Pole Piece
- \* Black Steel Basket
- \* Sliver Plated Terminal
- \* Flat Progressive Spider
- \* Rubber Magnet Boot



Specification	MAXP64	MAXP84	MAXP104D	MAXP124D	MAXP154D
Power (Watts)	600	800	1200	1600	2000
Impedance (Ohm)	4	4	4	4	4
Voice Coil (Inch)	1.5" KSV	1.5" KSV	2.0" KSV	2.0" KSV	2.5" KSV
Magnet Structure	40 Oz	50 Oz	2*60 Oz	2*80 Oz	2*100 Oz
Fs (Hz)	80	60	50	40	30
Qms	4.05	4.08	4.92	5.0	5.0
Qes	1.3	1.2	0.84	0.90	0.90
Qts	1.2	1.1	0.72	0.75	0.75
SPL(dB)	87	88	85	84	89
Vas(cuft)	6.8	6.0	4.908	5.204	6.02

Lanzar MAXP Series Woofer continually strives to improve the performance and value of its products all specifications are subject to change

MAXP64-154D/143\*210mm/80克双铜/4页