

PYLE

SPECIFICATIONS



PADH121
PADH151
PADH181



PADH879
PADH1079
PADH1279
PADH1579



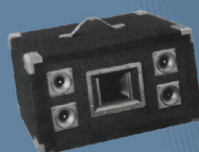
PADH124
PADH153
PADH183



PAHT8



PAHT6



PAHT9



PAHT4

WWW.PYLEAUDIO.COM

About Pyle PADH/PAHT STAGE Speaker Systems

Congratulations

Your have just purchased one of our high quality Pyle PADH/PAHT speaker,Pyle PADH/PAHT STAGE Speaker System is carefully desi-gned & manufactured for STAGE use.They could deliver consistent and high performance

The General Features of Pyle PADH/PAHT STAGE Speaker Systems

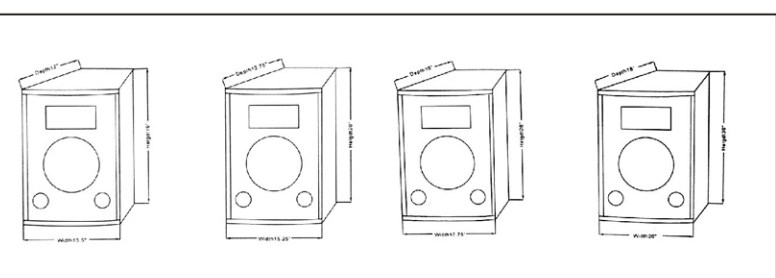
PADH SERIES:

- HEAVY DUTY CONSTRUCTION WIREINFORCED CORNERS
- BLACK CARPETED FINISH
- QUICK CONNECT SPEAKER TERMINALS
- DUAL PORTS FOR ADDED BASS RESPONSE
- BUILT IN CROSSOVER NETWORK
- IMPEDANCE:8 OHM

PAHT SERIES:

- BLACK CARPETED FINISH
- IMPEDANCE:8 OHM

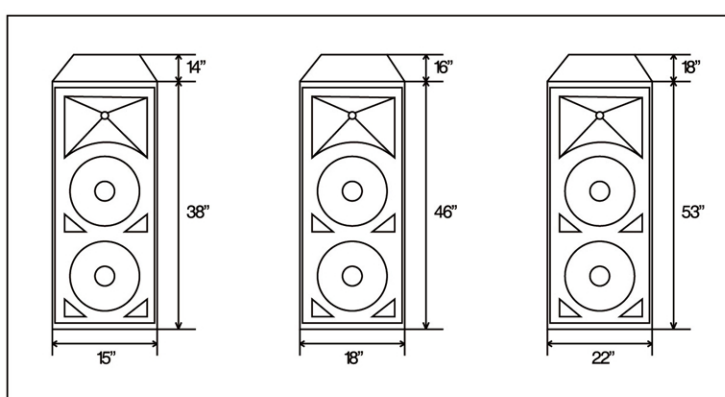
PADH879 PADH1079 PADH1279 PADH1579



SPECIFICATIONS	PADH879	PADH1079
WOOFER SIZE	1X12"WOOFER	1X10"WOOFER
TWEETER SIZE	3"X7"DOME HORN	4"X10"DOME HORN
SENSITIVITY	96DB	98DB
FREQUENCY RESPONSE	50-20KHZ	40-20KHZ
MAX POWER	300 WATTS	500 WATTS
IMPEDANCE	8 OHM	8 OHM
CROSSOVER NETWORK	INCLUDED	INCLUDED
DIMENSIONS	19"Hx13.5"Wx12"D	20"Hx15.25"Wx12.75"D

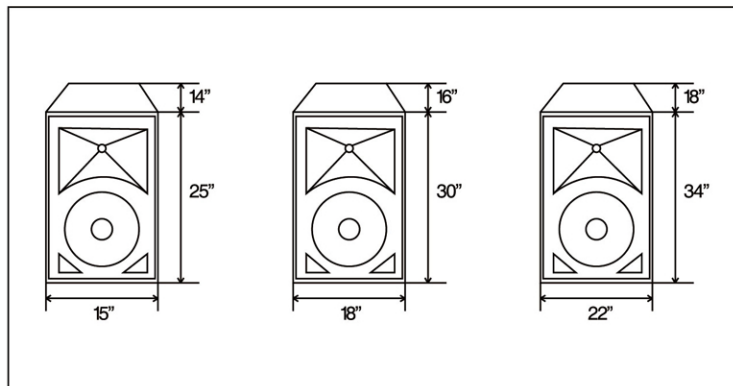
SPECIFICATIONS	PADH1279	PADH1579
WOOFER SIZE	1X12"WOOFER	1X10"WOOFER
TWEETER SIZE	4"X12"DOME HORN	5"X15"DOME HORN
SENSITIVITY	97DB	98DB
FREQUENCY RESPONSE	40-20KHZ	40-20KHZ
MAX POWER	600 WATTS	800 WATTS
IMPEDANCE	8 OHM	8 OHM
CROSSOVER NETWORK	INCLUDED	INCLUDED
DIMENSIONS	26"Hx17.75"Wx16"D	30"Hx20"Wx18"D

PADH124 PADH153 PADH183



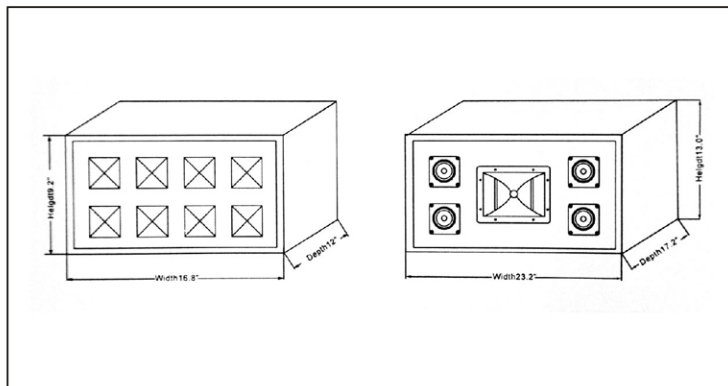
SPECIFICATIONS	PADH124	PADH153	PADH183
WOOFER SIZE	2X12"WOOFER	2X15"WOOFER	2X18"WOOFER
TWEETER SIZE	12"X14"DOME	15"X17"DOME	16"X20"DOME
SENSITIVITY	98DB	98DB	98DB
FREQUENCY RESPONSE	45-20KHZ	40-20KHZ	30-20KHZ
MAX POWER	1200 WATTS	1600 WATTS	2000 WATTS
IMPEDANCE	8 OHM	8 OHM	8 OHM
CROSSOVER NETWORK	INCLUDED	INCLUDED	INCLUDED
DIMENSIONS	38"Hx15"Wx14"D	46"Hx18"Wx16"D	53"Hx22"Wx18"D

PADH121 PADH151 PADH181



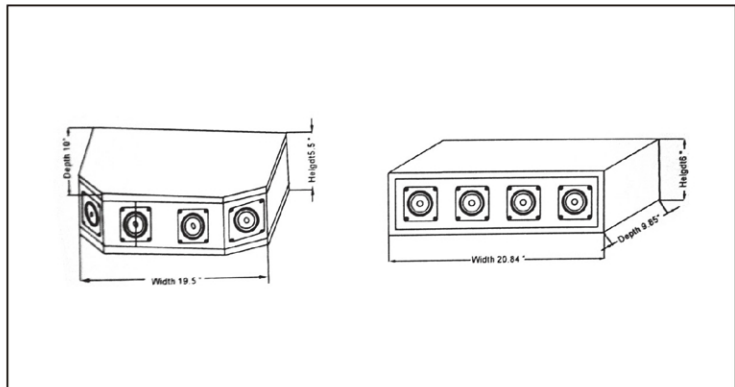
SPECIFICATIONS	PADH121	PADH151	PADH181
ENCLOSURE TYPE	2-WAY BASS REFLEX	2-WAY BASS REFLEX	2-WAY BASS REFLEX
WOOFER SIZE	1X12"WOOFER	1X15"WOOFER	1X18"WOOFER
TWEETER SIZE	12"X14"DOME	15"X17"DOME	16"X20"DOME
SENSITIVITY	97DB	97DB	97DB
FREQUENCY RESPONSE	50-20KHZ	45-20KHZ	40-20KHZ
MAX POWER	600 WATTS	800 WATTS	1000 WATTS
IMPEDANCE	8 OHM	8 OHM	8 OHM
CROSSOVER NETWORK	INCLUDED	INCLUDED	INCLUDED
DIMENSIONS	25"Hx15"Wx14"D	32"Hx18"Wx16"D	34"Hx22"Wx18"D

PAHT8 PAHT9



SPECIFICATIONS	PAHT8	PAHT9
ENCLOSURE TYPE	8-WAY	5-WAY
TWEETER SIZE	8"X3.4PIEZO	6"X7"HORN+4"X3.5"PIEZO
SENSITIVITY	97DB	94DB
FREQUENCY RESPONSE	4K-27KHZ	1KHZ-27KHZ
MAX POWER	300 WATTS	300 WATTS
IMPEDANCE	8 OHM	8 OHM
DIMENSIONS	9.2"Hx16.8"Wx12"D	13"Hx23.2"Wx17.2"D

PAHT6 PAHT4



SPECIFICATIONS	PAHT6	PAHT4
TWEETER SIZE	6"X3.5"PIEZO	4"X3"PIEZO
SENSITIVITY	97DB	97DB
FREQUENCY RESPONSE	4K-27KHZ	4K-27KHZ
MAX POWER	300 WATTS	300 WATTS
IMPEDANCE	8 OHM	8 OHM
DIMENSIONS	5.5"Hx19.5"Wx10"D	6"Hx20.84"Wx9.85"D

MANUFACTURER'S LIMITED THREE YEAR WARRANTY

PYLE AUDIO CORP.warranties this unit to be free from defective material or workmanship and will repair or replace this unit or any parts there of if it proves defective in normal use or service within one(1) year from the date of original purchase.

Our obligation under this warranty is limited to the repairing or replacing at our discretion,the defective instrument or any part there of when it is returned, transportation must be prepaid to the Pyle Service Center at the address below.This warranty will be considered void if the unit has been tampered with, improperly serviced, subjected to abuse or misuse or if installed in a commercial vehicle.This warranty does not cover accidental damage.When returning this unit for service,please include \$15.00 for return postage and handling.

Send your unit to:

PYLE SERVICE CENTER
1600-63rd street
BROOKLYN,New York 11204 USA

IMPORTANT: Pack carefully in original carton if possible.We are not responsible for damage incurred in returning items for repair,A letter stating your exact street address,daytime phone number and a brief statement describing the problem you are experiencing should be included,You must also enclose a copy of the original receipt as proof of purchase.