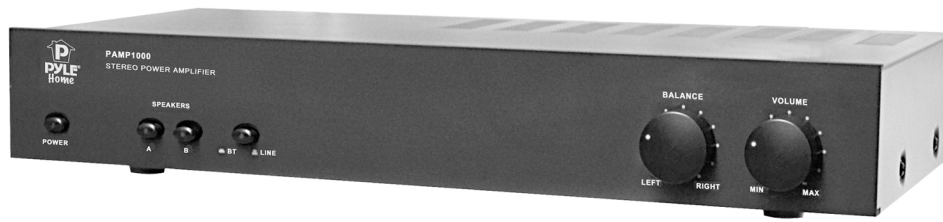


PYLE®

www.PyleAudio.com



PAMP1000

PAMP2000BT with
Bluetooth

Digital Stereo Power Amplifiers

USER MANUAL

- Read Instructions — All the safety and operating instructions should be read before the appliance is operated.
2. Retain Instructions — The safety and operating instructions should be retained for future reference.
 3. Heed Warnings — All warnings on the appliance and in the operating instructions should be adhered to.
 4. Follow Instructions — All operation and use instructions should be followed.
 5. Water and Moisture — The appliance should not be used near water - for example, near a bathtub, washbowl, kitchen sink, laundry tub, swimming pool, or a wet basement.
 6. Ventilation — The appliance should be situated so that its location or position does not interfere with its proper ventilation. For example, the appliance should not be situated on a bed, sofa, rug, or similar surface that may block the ventilation openings: or placed in a built-in installation, such as a bookcase or cabinet that may impede the flow of air through the ventilation openings.
 7. Heat — The appliance should be situated away from heat sources such as radiators, heat registers, stoves, or other appliances (including amplifiers) that produce heat.
 8. Power Sources — The appliance should be connected to a power supply only of the type described in the operating instructions or as marked on the appliance.
 9. Grounding or Polarization — Precaution should be taken to insure that the grounding or polarization means of an appliance is not defeated.
 10. Power-Cord Protection — Power supply cords should be routed so that they are not likely to be walked on or pinched by items placed upon or against them, paying particular attention to cords at plugs, convenience receptacles, and the point at which they exit from the appliance.
 11. Cleaning — The appliance should be cleaned only as recommended by the manufacturer.
 12. Power Lines — An outside antenna system should not be located in the vicinity of overhead power lines or other electric light or power circuits, or where it can fall into such power lines or circuits. When installing an outside antenna system, extreme care should be taken to keep from touching such power lines or circuits as contact with them might be fatal.
 13. Nonuse Periods — The power cord of the appliance should be unplugged from the outlet when the appliance is to be left unused for a long period of time.
 14. Object and Liquid Entry — Care should be taken so that objects do not fall and liquids are not spilled into the enclosure through openings.
 15. Carts and Stands — If the appliance is used with a cart or stand, the cart or stand should be a type recommended by the manufacturer. An appliance and cart combination should be moved with care. Quick stops, excessive force, and uneven surfaces cause the appliance and cart combination to overturn.
 16. Mounting — The appliance should be mounted only as recommended by the manufacturer.
 17. Damage Requiring Service — The appliance should be serviced by qualified service personnel when:
 - A. The power-supply cord or plug has been damaged.
 - B. Objects have fallen into, or liquid has been spilled into the appliance enclosure.
 - C. The appliance has been exposed to rain.
 - D. The appliance has been dropped, or the enclosure damaged.
 - E. The appliance does not appear to operate normally or exhibits a marked change in performance.
 18. Servicing — The user should not attempt to service the appliance beyond that described in the user's operating instructions. All other servicing should be referred to qualified personnel.
 19. Overloading — Do not overload wall outlets and extension cords as this can result in a risk of fire or electric shock.
 20. Replacement Parts — When replacement parts are required, be sure the service technician has used replacement parts specified by the manufacturer or have the same characteristics as the original part. Unauthorized substitutions may result in fire, electric shock or other hazards.
 21. Safety Check — Upon completion of any service or repairs to this appliance, ask the service technician to perform safety checks to determine that the appliance is in proper operating condition.

Your new Pyle Amplifier:

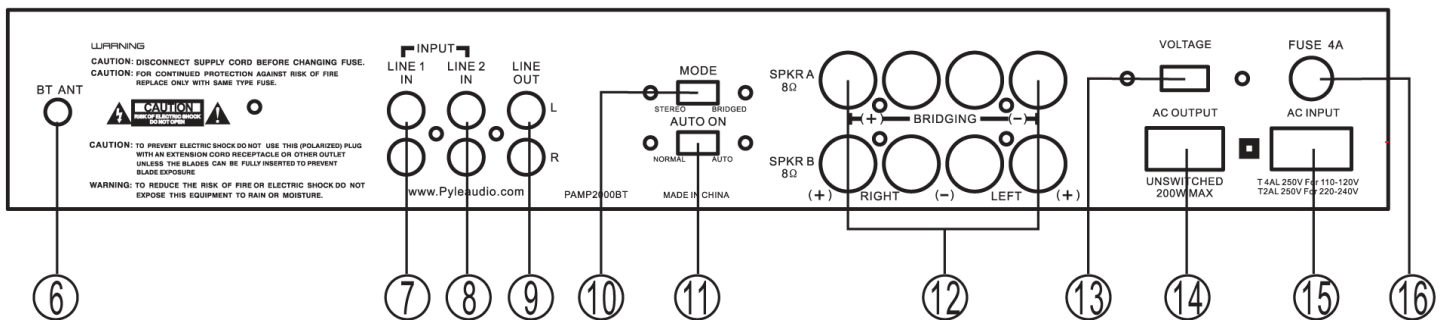
Gives you the power and versatility you need in a professional sound system. The wide frequency response handles easily amplification of voice and music. The signal sensing of dual inputs turns the amplifier on automatically when music is sensed on RCA inputs. The activation of Line 1 input, will override Line 2 input, making the amplifier perfect as a zone amplifier for multi-room distribution audio systems.

FEATURES AND CONTROLS

Front Panel



Rear Panel



FEATURES AND CONTROLS

1. Power On/Off with indicator inside

Main power switch, it will light when the amplifier is turned on.

2. Speaker A/B Channel Input Selectors with indicator inside

Lets you select speakers you want to use with the amplifier in channel A or Channel B.

3. Balance Control

Lets you adjust the volume of the left and right outputs.

4. Volume Control

Lets you control the total of output power level.

5. BT/LINE Input Switch (For PAMP2000BT only)

Press in, it's Bluetooth Input status, and press it out, it's LINE input status.

6. Bluetooth Antenna (For PAMP2000BT only)

The antenna is best receiving for Bluetooth signal.

7. Line 1 Input

It acts as a "Priority" input over Line 2 and is used to connect to a local audio source such as TV Audio, CD Player, Computer Sound Card or other line level sources via RCA jacks. The Line 1 input will override Line 2 input whenever the signal from Line 1 is activated.

8. Line 2 Input

It acts as a "Primary" line level input and is used to connect the audio source distributed from the primary audio system that the user want to have.

9. Line Output

It acts as pass through output, to send the line signal from Line 1 or Line 2 to another ZONE or location.

10. Stereo/Bridged Mode Selector

Lets you select STEREO input mode to provide 60 watts per channel output, or BRIDGED

input mode to provide over 160 watts RMS mono output. For mono application use only the R+ and L- of SPEAKER A channel output. Please preset the volume control at MIN and adjust to the desired level.

11. Auto On Switch

Lets you select AUTO position to activate the amp automatically when the signal is sent to input source, the amp will shut down automatically after a period of time without the signal source is sent, please preset the Power On/Off switch to ON position in this application.

Select NORMAL position to activate the amp manually by pushing On/Off Power Button.

12. Speaker A/B Binding Post Terminals

Let you to connect two stereo pairs of speakers via the wire terminals.

13. Voltage Switch

This amplifier has selectable input voltage from 110V/60Hz (the standard in USA and CANADA) to 220V/50Hz (for EUROPEAN operation). Please make sure the switch is in the proper position before operating, otherwise severe damage will be incurred and not covered by the warranty.

14. AC Outlet (Un-switched)

Supply power (maximum load of 200W) to a musical instrument or another amplifier.

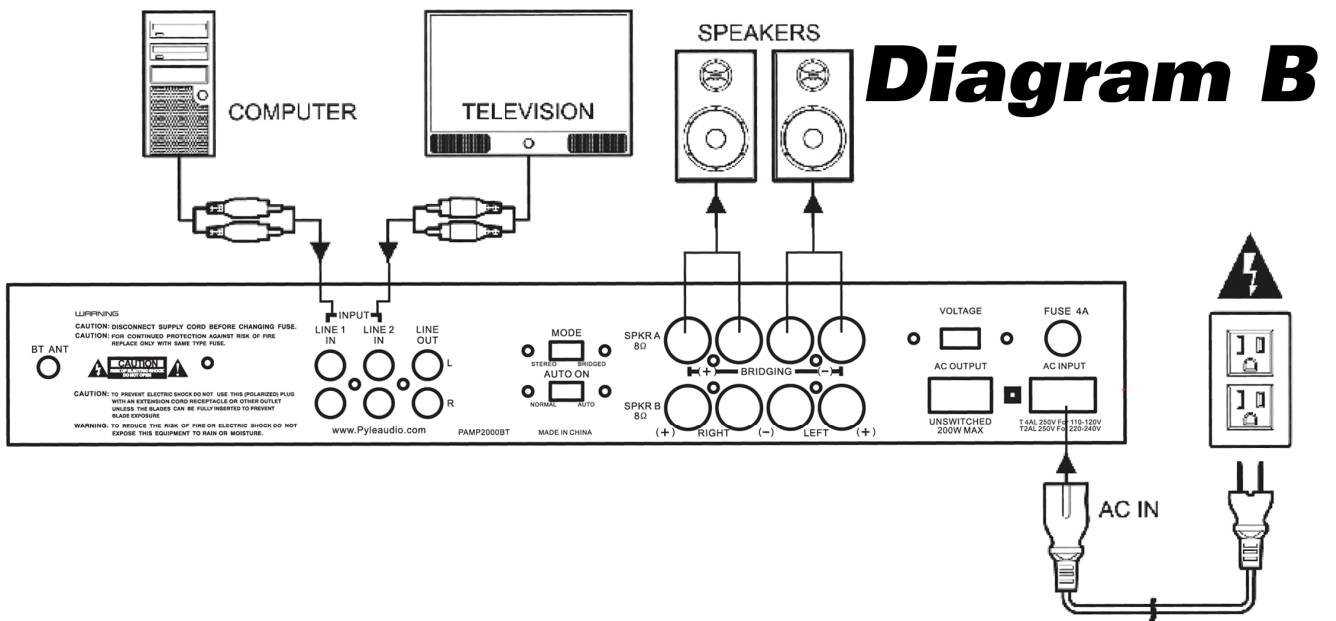
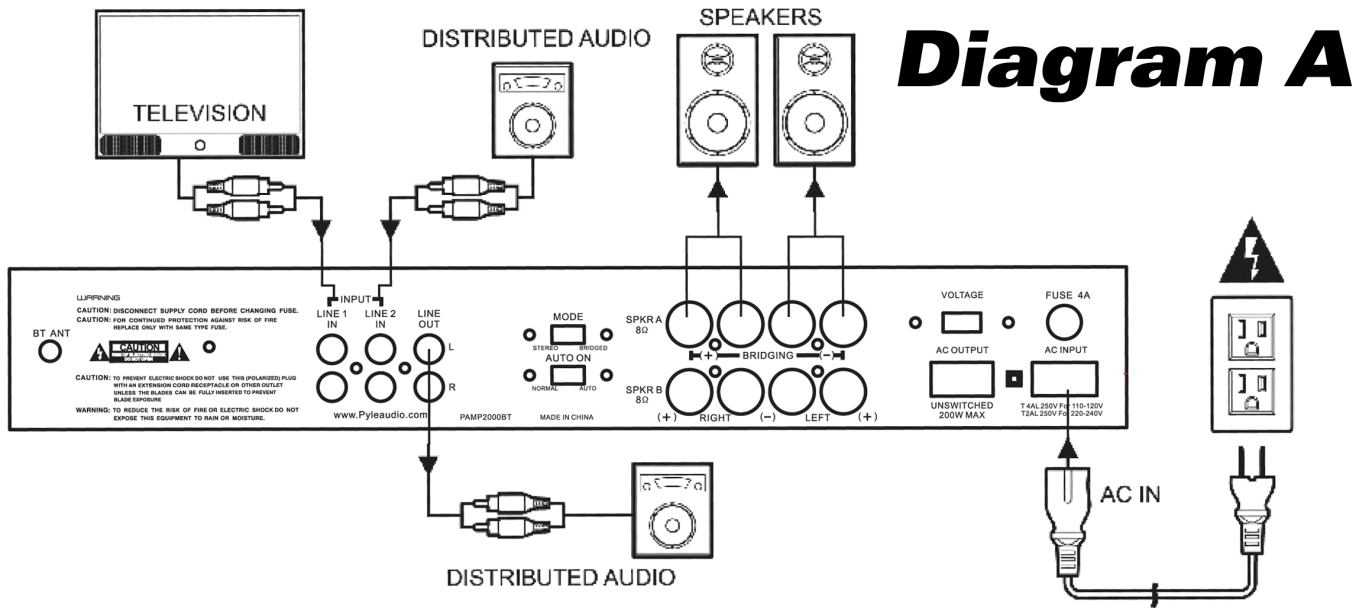
15. AC Input

Plug the included power cord into the unit first while the power is switched off, and then plug the AC power cord into a proper power outlet. Please also replace the fuse only with proper rating if needed (see the fuse rating of T4AL 250V for 110-120V and T2AL 250V for 220-240V printed at power inlet).

16. Fuse Holder

To change the fuse, put the main plug out from the main outlet and open the fuse holder with a screwdriver.

CONNECTION



CONNECTION DIAGRAM-A:

In this application the TV audio signal acts as “Priority” source at Line 1 input and a distributed audio signal from the other audio system acts as “Primary” source at Line 2 input. Whenever the TV is activated, its signal overrides the distributed signal of Line 2, only the TV audio will be heard via the amp, but the distributed audio of Line 2 input will still be present at Line 2 Output and sent to additional zone. Once TV is turned off the amp will switch to the distributed audio automatically as an audio source, if the distributing audio is still active.

CONNECTION DIAGRAM-B:

In this application a computer's sound card acts as "Priority" source at Line 1 input and the TV audio signal acts as "Primary" local source at Line 2 input. Whenever the computer is activated, its signal overrides the TV signal of Line 2, only the computer audio will be heard via the amp. Once the computer is turned off, the amp will switch to the TV automatically as an audio source, if the TV is still active.

BLUETOOTH OPERATION INSTRUCTION (For PAMP2000BT only):

External devices which have a built-in Bluetooth feature can be connected to this amplifier wirelessly to play through the amplifier's speakers. If your amp is connected to speakers, you will hear audible tones which will help for connecting.

1. At first be sure that the amplifier is powered on, and turn the volume to low. Please remember to connect the Bluetooth Antenna at the back panel for better receiving signal.
2. Press the BT/Line button switch in on the front panel, you will hear the voice "POWER ON" and also "PAIRING", and then the unit is automatically ready to pair with your external device.
3. Turn on the Bluetooth of your external device.
4. Search for available Bluetooth devices and make sure to be within range of your amp, and wait for your device to select "BT-RY" on the pairing devices lists of Bluetooth networks.
5. Once connecting you will hear a voice say, "Your Device is Connected", then the Bluetooth pairing is successful and you have established a Bluetooth connection.
6. You can now play music on your external device through the amplifier.