



PYLE

PyleUSA.com



PBKSP33BK

PBKSP30DB

Desktop Wireless BT Bookshelf Speakers

HiFi Studio Monitor Computer Desk Stereo
Speaker System, (300 Watt MAX)


USER GUIDE



Please read all instructions carefully before use and retain for future reference.

Safety Instructions

1. When using electrical units, basic safety precautions should always be followed.
2. Children aged from 8 years and people with reduced physical, sensory or mental capabilities or lack of experience and knowledge can use this unit, only if they have been given supervision or instruction concerning use of the unit in a safe way and understand the hazards involved.
3. Children should be supervised to ensure that they do not play with unit.
4. Unless they are older than 8 and supervised, children should not perform cleaning or user maintenance.
5. This unit is not a toy.
6. This unit contains no user serviceable parts, if the unit and any of its accessories are malfunctioning or it has been dropped or damaged, only a qualified electrician should carry out repairs, improper repairs may place the user at risk of harm.
7. Keep the unit out of reach of children.

- 
8. Keep the unit away from heat or sharp edges that could cause damage.
 9. Keep the unit away from heat sources, direct sunlight, humidity, water and any other liquid.
 10. Keep the unit free from dust, lint etc.
 11. Do not immerse the unit in water or any other liquid.
 12. Do not operate the unit if it has been exposed to water, moisture or any other liquid to prevent against electric shock, explosion and/or injury to yourself and damage to the unit .
 13. Do not use the unit for anything other than its intended use.
 14. Do not store the unit in direct sunlight or in high humidity conditions.
 15. Do not put objects into any of the openings.
 16. Do not play music at excessive volume levels as damage to hearing and/or the equipment may occur. It is imperative to unplug the adaptor after the unit has been used, before it is cleaned and whilst being repaired.
 17. To prevent possible hearing damage, do not listen at high volume levels for long periods of time.
 18. **Warning:** Keep the unit away from flammable materials.

Getting Started

1. Remove the unit from the box.
2. Remove any packaging from the unit.
3. Place the packaging inside the box and either store or dispose of safely.

What's in the Box:

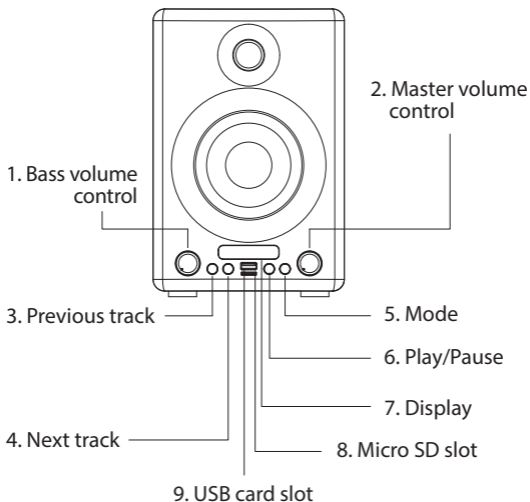
- Active Bookshelf Speaker
- Passive Bookshelf Speaker
- RCA Input Cable

Technical Specs:

- Power Output: 300 Watt
- Power Supply: AC 110V
- Amplifier Type: 2-Channel
- Monitor Speaker Driver: 4" -inch
- Tweeter Driver: 1.0" -inch Dome
- System Channel Impedance: 4 Ohm
- Frequency Response: 70Hz-20kHz
- Sensitivity: 85dB
- Digital Audio File Support: MP3
- Maximum USB Flash Support: Up to 16GB
- Power Cable Length: 4.9' ft.
- Power: 110V
- Single Speaker Weight:
Active, 5.1 lbs. (Passive, 4.3 lbs.)
- Single Speaker Size: (W x D x H):
6.4" x 8.9" x 9.7" -inches (Each)

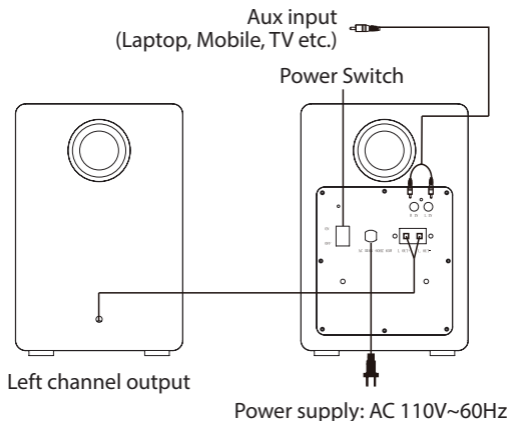
Parts Description

Front panel



- | | |
|--------------------------|-----------------------|
| 1. Bass volume control | 6. Play/Pause |
| 2. Master volume control | 7. Display |
| 3. Previous track | 8. Micro SD card slot |
| 4. Next track | 9. USB card slot |
| 5. Mode | |

Back panel Instruction



User Instructions

Wireless BT Operation

1. Power **ON** the speaker, the unit will automatically activate BT mode turned ON.
2. Search for pairing name "**PyleUSA**" to connect with the device, there's a tone when successfully connected.
3. While playing, press Prev/Next button for previous or next song, press and hold Prev/Next button to fast backward or fast forward.
4. Press "**Play/Pause**" button to pause or play the music.

USB/MicroSD Operation

1. Insert USB/MicroSD, to play the music automatically.
2. Press "Play/Pause" button to pause or play the music.
3. While playing, press Prev/Next for previous or next song, press and hold Prev/Next button to fast backward or fast forward.
4. When USB/MicroSD is inserted at same time, MicroSD will be the priority to play.
Please don't take out USB/MicroSD card while playing, otherwise USB/MicroSD card will be damaged.

RCA In Operation

Connect RCA cable with your device to play music. Press "Play/Pause" button to mute the music.

Bass

Turn the Bass volume knob to increase or decrease bass effect.

Supplement:

1. Mode Switch Sequence:

BT > RCA > USB > MicroSD

2. Default Mode: BT

California Prop 65 Warning

 **WARNING:**

This product contains Butyl benzyl phthalate (BBP) which is known to the state of California to cause cancer birth defects and other reproductive harm. Do not ingest.

For more info go to: www.P65warnings.ca.gov



PYLE

PyleUSA.com



VISIT US ONLINE:

Have a question?

Need service or repair?

Want to leave a comment?

PyleUSA.com/ContactUs

PYLE

Questions? Issues?

We are here to help!

Phone: (1) 718-535-1800

Email: support@pyleusa.com

