

**PYLE**

PyleUSA.com



## *PBMSPG16*

Portable Wireless BT BoomBox Tube FX Stereo System  
Built-in Flashing LED Party Lights, Rechargeable Battery,  
MP3/Micro SD Reader, FM Radio

***User Manual***

**For smooth operations, please read this manual carefully before using. Any content revise of the manual won't be declared again, and we are not responsible for consequence caused by fault or oversight of this manual.**

### ***Features:***

- Portable, Wireless & High-Powered Tube BoomBox
- 2.1 Channel Hi-Fi Active Stereo System Design
- Wireless BT Music Streaming Ability
- Built-in Rechargeable Battery
- Long Lasting: Up to 8+ Hour Playing Time
- Digital Sound Amplifier
- Built-in Flashing Blue LED Party Lights
- FM Radio with Auto-Tuning
- Micro SD Memory Card Reader
- MP3 Digital Audio File Compatibility
- Aux (3.5mm) Input Jack
- Ability to Connect External Devices
- Side Panel Button Control Center
- Full Range Stereo Sound Reproduction
- Ported Enclosure Design for Impressive Bass Response

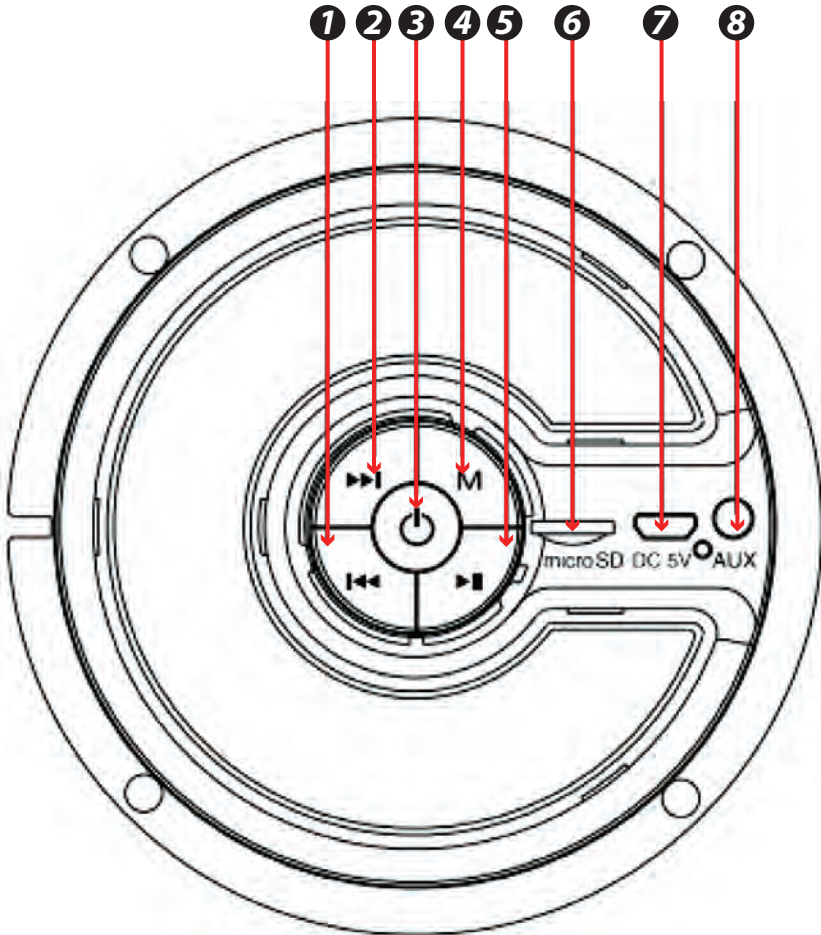
### ***Wireless BT Streaming Connectivity:***

- Instantly Stream Music from Your Devices
- Works with All Your Favorite Wireless BT Devices  
(iPhone, Android, Smartphone, iPad, Tablet, PC, etc.)
- Wireless BT Version: 2.1, A2DP
- Wireless BT Network Name: 'PyleUSA'
- Wireless Range: Over 30'+ Feet

### ***What's in the Box:***

- Wireless Tube Speaker
- USB Charging Cable
- Audio Connection Cable
- Detachable Carry Strap

## INSTRUCTION FOR APPEARANCE AND KEYS:



1. Backward
2. Forward
3. ON/OFF button
4. Mode (Switch Wireless BT, USB disk, Micro SD, FM and AUX-IN state)
5. Play/Pause
6. Micro SD
7. Charging Jack
8. AUX-IN Jack

### **Wireless BT Streaming:**

1. Turn the power button to “ON”. The LED light turns blue and blinks quickly and beeps twice.
2. Activate Wireless BT of mobile phone and search for device name “PyleUSA” then connect it. The blue LED light blinks slowly and beeps 3x once connected successfully.
3. Play the music from your mobile phone and enjoy.
4. Press Forward or Backward button on the device or on you Mobilephone to select songs you like.
5. Press Play/pause button on the devices or on Mobile phones to play/stop the music
6. Use the Wireless BT device to adjust volume up and down or press and hold to Fast Forward or Backward button to adjust volume up and down.

### **Playing music from Micro SD card:**

1. Turn the Power button to “ON”.
2. Insert Micro SD card into slot, the music stored will be played automatically and blue LED light will be lit.
3. Under playing mode, press Forward or Backward button to select songs you like, press and hold to Fast Forward or Backward button to adjust volume up and down.
4. Press PLAY/PAUSE to play or pause.
5. Please turn the Power button to “OFF” when not in use.

### **Remark:**

Under Wireless BT playing mode, inserting the Micro SD card will disconnect the Wireless BT and switch the playing from Micro SD card. You can press the MODE button to switch to Wireless BT mode again.

### **FM Radio:**

1. Under FM radio state, the audio cable provided is treated as antenna. Please insert the audio cable to get best FM signal before using.
2. Turn the power button to “ON”, press the “MODE” button to switch to FM radio state.
3. Under playing mode, short press “Play/pause” button to auto search the FM Channel and store it automatically.
4. Press Forward or Backward button to change the stored FM channel.

## **AUX-IN:**

For other compatible music devices or your MP3/MP4 players, use the supplied audio line cable to connect from the device's "Line Out" to the "Aux In" of this device. Then press the "MODE" button to switch to AUX-IN state. Enjoy... When using an external device, all functions will be controlled by the external device except the "Play/pause" button.

## **Remarks:**

1. Press the MODE button to switch for different modes, the order is Wireless BT, Micro SD card, FM radio and AUX-IN.
2. Turn the power button to "OFF" when not in use.

## **How to charge:**

1. Power OFF the unit, put the provided charge cable into the charge slot of unit, and connect the other end to PC or other charger with 5V output. (Not included), The light is red while charging.
2. Charge time should be 3-5 hours. The indicator light will switch off when fully charged.
3. In order to prolong the life of battery, please do not charge more than 8 hours.

## **Technical Specs:**

- MAX Power Output: 75 Watt
- Sound System: Dual 2" Mid-Ranges + 4" Subwoofer + 2" Tweeter
- Flashing LED Bulb Color: Blue
- Rechargeable Battery: 3.7V Li-iOn, 1800mAh
- Impedance: 4 Ohm
- Signal/Noise Ratio: >80dB
- Frequency Response: 100-20kHz
- Housing Construction Material: Engineered ABS
- Digital Audio File Compatibility: MP3, WMA
- Maximum Micro SD Flash Support: 32GB
- Power: DC, 5V/1A
- Dimensions (L x W x H): 12.3" x 4.7" x 4.7"



**WARNING:**

This product can expose you to a chemical or group of chemicals, which may include "Cadmium (Cd)" which is known in the state of California to cause cancer, birth defects, or other reproductive harm. For more info, go to <https://www.p65warnings.ca.gov/>.

# PYLE

PyleUSA.com



**VISIT US ONLINE:**

*Have a question?*

*Need service or repair?*

*Want to leave a comment?*

[PyleUSA.com/ContactUs](http://PyleUSA.com/ContactUs)

**PYLE**

***Questions? Issues?***

We are here to help!

Phone: (1) 718-535-1800

Email: [support@pyleusa.com](mailto:support@pyleusa.com)