

**PYLE**  
PyleUSA.com



VISIT US ONLINE:  
Have a question?  
Need service or repair?  
Want to leave a comment?  
[PyleUSA.com/ContactUs](http://PyleUSA.com/ContactUs)

**PYLE**

**Questions? Issues?**

We are here to help!

Phone: (1) 718-535-1800

Email: [support@pyleusa.com](mailto:support@pyleusa.com)



**PC0865**

**Pro Audio Power Supply Surge Protector**

Rack Mount Power Conditioner Strip  
with (4) USB Charge Port

## INTRODUCTION

The **Pro Audio Power Supply Surge Protector** features excellent surge protection for all your systems and they supply multiple outlets for your powering equipment. Not only it protects anything plugged from spike and surges, but also has a built-in AC noise filter to rid the system of radio frequency and electromagnetic interference. This allows all your equipments to function better and last longer.

## SAFETY INFORMATION

**To obtain best results from our Pro Audio Power Supply Surge Protector, please read the manual carefully before using.**

### ⚠️ WARNINGS

To reduce the risk of electrical shock, do not expose this equipment to rain or moisture. Dangerous high voltage is present inside the enclosure. Do not remove the covers. Refer servicing to qualified personnel only.

### ⚠️ CAUTION

These equipments shall be connected a 20 Ampere rated receptacle of the branch circuit. The total current drawn from the receptacles of these equipments is 15 Amperes maximum, and no individual receptacle shall draw more than 12 Ampere.

## SPECIFICATION & FUNCTION

This unit was developed by using the expertise of professional sound engineers and working musicians. You will find your new unit has superior performance and greater flexibility than any other power conditioner in its price range.

Read this manual carefully to get the most out of your new unit.

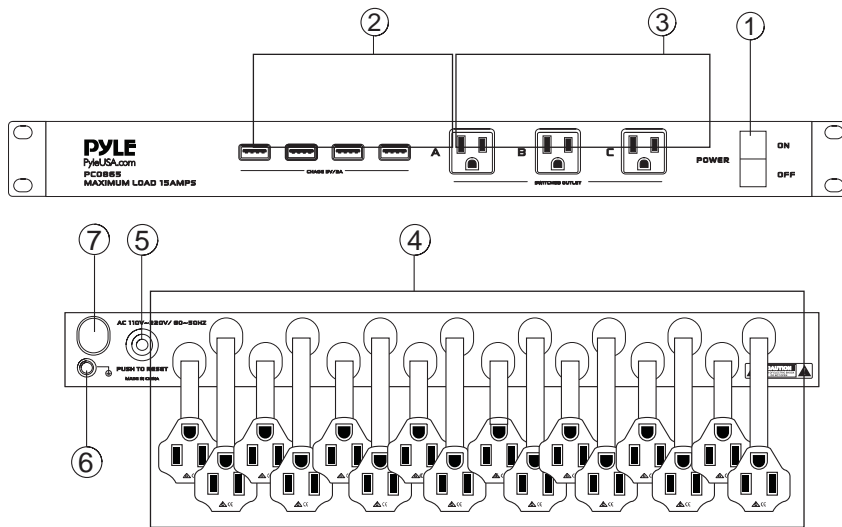
The all-steel **PCO865 Rack Mount Power Conditioner Strip with (4) USB Charge Ports** provides high-speed charging to mobile devices simultaneously, such as notebooks, tablets and other battery-intensive electronics that use a NEMA 5-15P plug. The 3 AC Outlets and 16 -foot power cords long enough to reach a PDU or AC wall outlet. A 15-amp circuit breaker protects against overloads and short circuits. A transparent cover guards the lighted on/off switch from accidental shutdowns. USB Ports provides up to 5V/2A (Each USB Port) of power per port for charging battery intensive devices such as an iPad/iPhone/Mobilephone, etc. You can charge your devices without the need to connect to a computer.

## IMPORTANT SAFETY INSTRUCTIONS

**WARNING!** When using electric products, basic precautions should always be followed, including the following:

1. Read all the instruction before using the product.
2. **DO NOT** use this product near water (e.g. near a bathtub, washbowl, kitchen sink, in a wet basement, or near a swimming pool etc.).
3. This product should be used only with a cart or stand that will keep it level and stable and prevent wobbling.
4. This product, in combination with amplifiers, headphones or speakers, may be capable of producing sound levels that could cause permanent hearing loss. Do not operate for a long period of time at a high volume level or at a level that is uncomfortable. If you experience many hearing loss or ringing in the ears, you should consult an audiologist.
5. The product should be located so that its location or position does not interfere with its proper ventilation.
6. The product should be located away from heat sources such as radiators, heat vent, or other devices (including amplifiers) that produce heat.
7. The product should be connected to a power supply only of the type described in the operating instructions or as marked on the product.
8. The power supply cord should:
  - Be undamaged
  - Never share an outlet or extension cord with other devices so that the outlet's extension on cord's power rating is exceeded.
  - Be left plugged into the outlet when left unused for a long period of time.
9. Care should be taken so that objects do not fall into, and liquids are not spilled through, the enclosure's openings.
10. **The products should be serviced by qualified service personnel when:**
  - A. The power supply cord or the plug has been damaged.
  - B. Objects have fallen into, or liquid has been spilled onto the product.
  - C. The product has been exposed to rain.
  - D. The product does not appear to operate normally or exhibits a marked change in performance.
  - E. The product has been dropped, or the enclosure damaged.
11. Do not attempt to service the product beyond what is described in the user-maintenance instructions. All other servicing should be referred to qualified service personnel.
12. Do not defeat the safety purpose of the grounding-type plug, which features a third grounding prong. If this provided plug does not fit into your outlet, consult an electrician for replacement of the obsolete outlet.

## CONTROLS, FUNCTIONS, AND CONNECTIONS



### FRONT PANEL & REAR PANEL

#### 1. POWER SWITCH:

Outlet switch activates protection and filtration to all back panel outlets. To turn the unit **ON** or **OFF**, press the upper or lower portion of this button.

#### 2. USB CHARGE PORTS:

USB charger ports (5V/2A Each Port) on the front panel. Front panel convenience USB CHARGE PORT (5V/2A EACH PORT).

#### 3. AC CHARGE OUTLETS:

Standard AC outlets on the front panel. EMI/RFI filtered, spike/surge protected and switched.

#### 4. AC FOOT CHARGE POWER CORD OUTLETS:

AC foot charger power cord outlets on the back panel. EMI/RFI filtered, spike/surge protected and switched.

#### 5. CIRCUIT BREAKER:

Resettable 15 Amp thermal circuit breaker.

#### 6. GROUND LIFT:

Avoids background noise and hum.

#### 7. POWER CORD:

Heavy duty 14-gauge power cord for connection to the AC Power Mains (110/240V/50-60Hz).

## CAUTION

**MAXIMUM LOAD:** The PCO Series Power Conditioners 8 Rear Panel Outlets are rated 15 amps total load (or 1800W at 100-240VAC). If this maximum load exceeded, the Circuit Breaker will trip, cutting off power to all connected equipment in your rack. If this happens, reduce the load by unplugging one or more units from the power conditioner, and push the circuit breaker to reset it.

## Features:

- Universal Power Supply for Electronic Devices & Equipment
- (3) Front Panel AC Outlets
- (16) Rear Panel Wired Power Cables
- Integrated 'Half-Hot' / Switched AC Outlet
- (4) USB Ports for Multi-Device Charging  
(Works with Smartphones, Tablets, MP3 Players, etc.)
- Compatible with 1U Mount 2 or 4 Post Rack Spaces
- Includes Detachable Rack Mount Brackets
- Ground Lift for Background Noise and Hum Elimination
- Plastic Cover Encased Power ON/OFF Switch

## Technical Specs:

- Universal Rack Mount Size Standard: 1U
- 15 Amp Circuit Breaker
- Power Cable Length: 15' ft.
- Rear Panel Power Cable Lengths: (8) x 4.0", (8) x 6.0" -inches
- Power Supply: 110/240V (USB Power: 5V/2A)
- Dimensions (L x W x H): 18.89" x 13.38" x 1.73" -inches



This products can expose you to a chemical or group of chemicals, which may include "Nickel Carbonate" which is known in the state of California to cause cancer, birth defects, or other reproductive harm. For more info, go to <https://www.p65warnings.ca.gov/>.