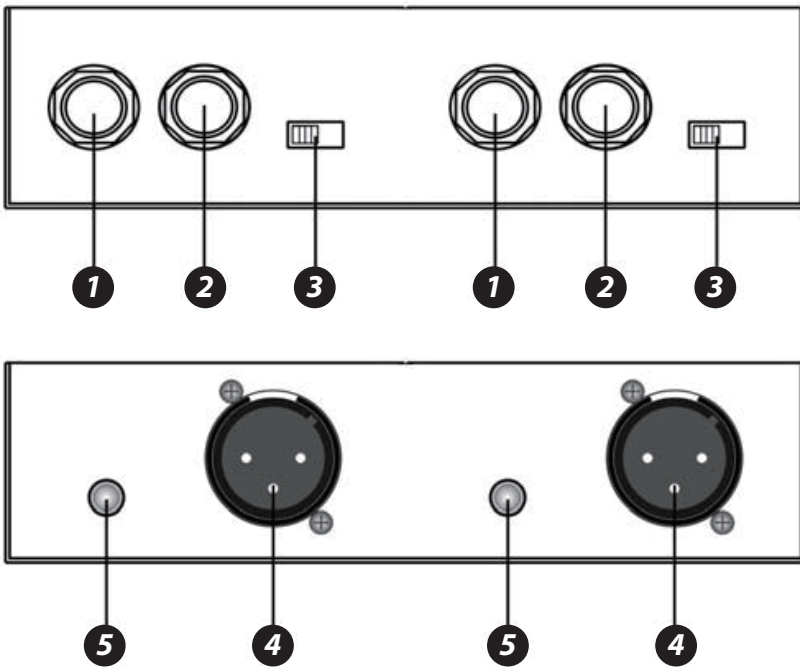


PDC22

Dual 1/4" Instrument To Balanced
& Unbalanced (1/4" XLR) Direct Box

USER MANUAL

Front and Rear Panel Layout



1. **INPUT:** 1/4" input connector.
2. **PARA OUT:** It's parallel output 1/4" jack for passing the input signal through to a stage amplifier or monitor system.
3. **ATT Switch:** input attenuation, switchable(0dB,-20dB,-40dB)
4. **BALANCED OUTPUT:** Male XLR connector.
5. **GROUND:** When engaged, the ground from the PDC22 chassis detaches from the XLR jack.

PDC22 Operation

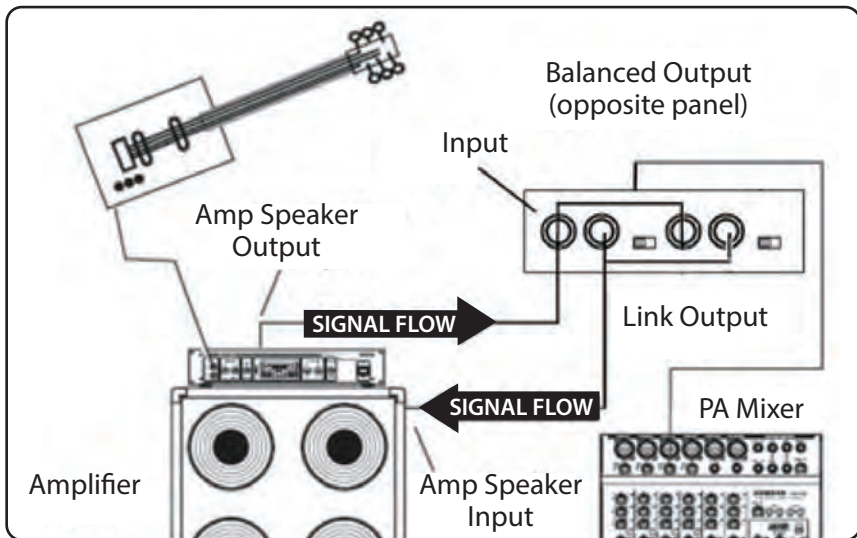
A direct box, or DI box, provides the facility for the direct insertion of an audio signal into a mixer or recorder. The **PDC22** offers a variety of DI solutions for live sound and recording applications. You can connect all kinds of audio signals like guitars, keyboards, outboard signal processors and even the high-powered speaker output from an amplifier. The **PDC22** enables you to tap off the signal from a guitar or bass guitar and pass the signal from the **PARA OUTPUT** to the on stage amplifier without affecting the original sound. This can eliminate the need for mixing the guitar amplifier, which in many cases is preferable, especially with bass guitar. The **PDC22** is also very useful for connecting unbalanced signals from sources like signals DJ and sub-mixers, effects processors and keyboards to a main PA or recording mixer.

The **PDC22** balanced output provides a clean signal at a low level so long runs of cable are possible. Another benefit from a balanced connection is common mode rejection, which provides cancellation of the bad sounds (hums and buzzes) while leaving the original signal pure.

Direct insertion of an Instrument into a PA system

One of the most common applications for using a DI box is getting the signal of a bass guitar into the PA system. Simply put, the low frequencies produced by bass are difficult to mic, so use of a DI box is almost always preferable. In addition, the signal going to PA system can be tweaked by the FOH (front of house) engineer, without affecting the sound the musician dials up on stage. You can use **PDC22** to plug a guitar directly into the PA system as well. Especially acoustic guitars with pickups and when using electronic guitar processors and modelers. Follow the diagram and steps below to connect a guitar to a PA mixer.

- Connect the output of the guitar or bass to the **PDC22 INPUT**
- Connect **PDC22's PARA OUT** to the input of the guitar or bass amplifier.
- Connect **PDC22's BALANCED OUTPUT** to the input of main PA mixer.



NOTE:

To avoid annoying pops and clicks be sure to mute (or turn down the volume control) of your mixer's output while connecting the PDC22.

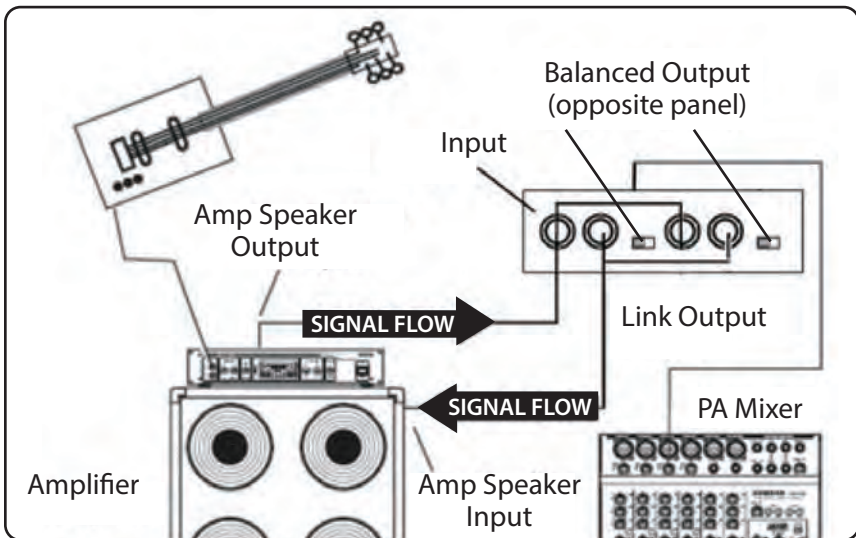
Connecting to High Power Signals

The **PDC22** provides the capability of tapping off the signals from amplifiers, such as the output or guitar amp or power amplifier. You can even use **PDC22** to connect to the speaker output of a consumer stereo system or boom box, for example, if you want to sample some old records or cassette tapes.

NOTE: Be sure that the ATT switch is set to (-20db or -40db) position before connecting the signal from the output of any amplifier.

Follow the diagram and steps below to connect a powered output of a guitar amplifier to a PA mixer.

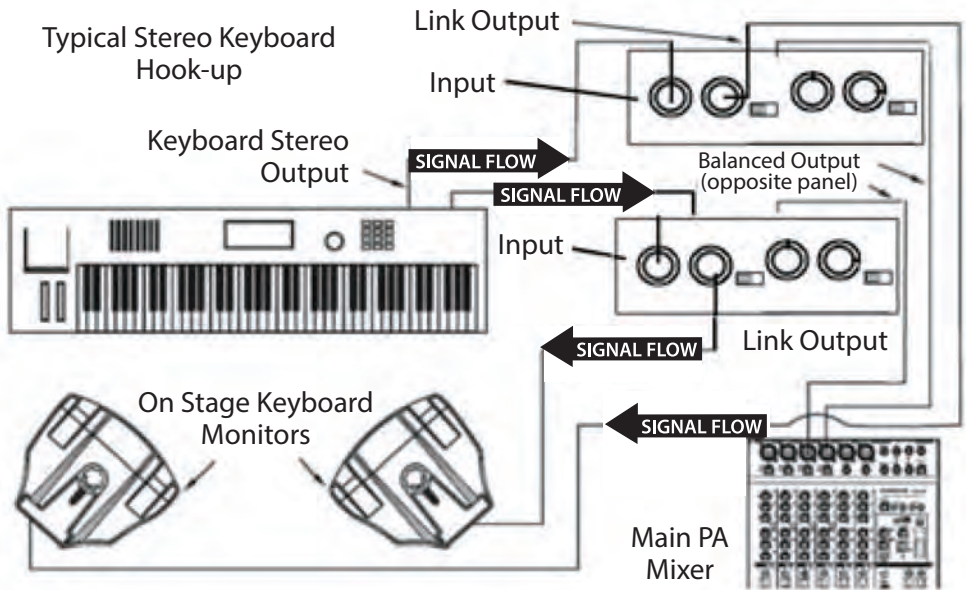
- Connect the output of the guitar or bass to the guitar amp input.
- Set the ATT switch to the -20db or -40db
- Using unshielded speaker cable, connect the guitar amp's speaker output to the PDC22's INPUT
- Using another unshielded speaker cable, connect PDC22's PARA OUT to the input of the guitar amplifiers speaker
- Connect PDC22's BALANCED OUTPUT to the input of main PA mixer.



NOTE:

This example may appear to be the same as the previous, however in this example, the PDC22 is tapping the sound of the instruments and amp, as opposed to just the instrument itself.

Converting the output of Unbalanced Devices



The **PDC22** can be quite useful on stage or in the studio for connecting unbalanced devices, particularly key boards. The output levels of many keyboards are low. So their signals can benefit greatly by connecting their unbalanced outputs to the **PDC22** by doing so the signal can be sent cleanly for long distances while benefiting from the low noise and common mode rejection provided by **PDC22**'s balanced low-level output. The diagram following shows a typical hook-up for a stereo keyboard connected to a stereo stage monitor system and the main PA mixer.

Details

- Construction: All Steel Chassis
- Ground Lift: Switch-Able Ground Lift
- Balanced Output: 600 Balanced XLR Jack
- Instrument Input: 50K Unbalanced TS Jack
- Parallel (Link) Out: 50K Unbalanced TS Jack
- Input Attenuation: Switch-Able (0db,-20db,-40db)
- Two High-Quality Direct Boxes In One Convenient Enclosure
- Dimension: 5.5" x 4.72 x 1.57 "

Questions? Issues?

We are here to help!

Phone: (1) 718-535-1800

Email: support@pyleusa.com

PYLE

PyleUSA.com



VISIT US ONLINE:

Have a question?

Need service or repair?

Want to leave a comment?

PyleUSA.com/ContactUs

PYLE