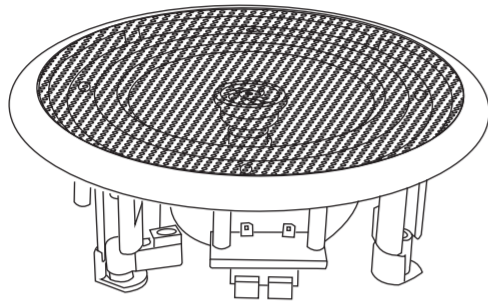


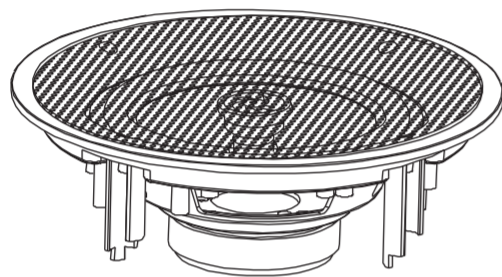
## 2-Channel Bluetooth Ceiling / Wall Speaker, 2-Way Flush Mount Home Speakers

• PDICBT552RD • PDICBT652RD • PDICBT852RD



## 4-Channel Bluetooth Ceiling / Wall Speaker, 2-Way Flush Mount Home Speakers

• PDICBT256 • PDICBT266 • PDICBT286 • PDICBT2106



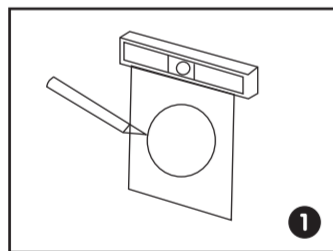
## BLUETOOTH CEILING/WALL SPEAKERS INSTALLATION MANUAL

Technical Specs Table :

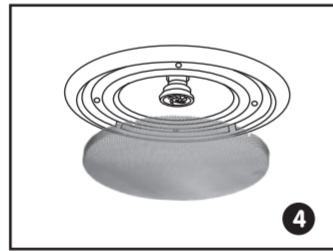
Model Number	Amount of Speakers	Speaker Size	MAX Output Power	Impedance	Sensitivity	Frequency Response	Cut-Out Diameter	Mounting Depth
PDICBT552RD	2	5.25"	150 Watt	8 Ohm	88 dB	80-20 kHz	6.5"	2.6"
PDICBT652RD	2	6.5"	200 Watt	8 Ohm	88 dB	70-20 kHz	7.6"	2.8"
PDICBT852RD	2	8.0"	250 Watt	8 Ohm	89 dB	50-20 kHz	9.3"	3.0"
PDICBT256	4	5.25"	150 Watt	8 Ohm	88 dB	80-20 kHz	6.8"	3.0"
PDICBT266	4	6.5"	200 Watt	8 Ohm	89 dB	60-20 kHz	7.9"	3.1"
PDICBT286	4	8.0"	250 Watt	8 Ohm	89 dB	40-20 kHz	9.4"	3.5"
PDICBT2106	4	10.0"	300 Watt	8 Ohm	89 dB	35-20 kHz	10.5"	3.8"

## EXISTING CONSTRUCTION

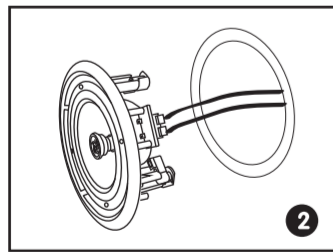
### IN-CEILING SPEAKERS



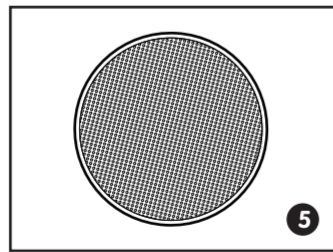
1  
Cut the drywall.  
Note: Always allow at least one-half inch between a wall stud and the speaker cutout or the locking tabs will not be able to swivel into place.



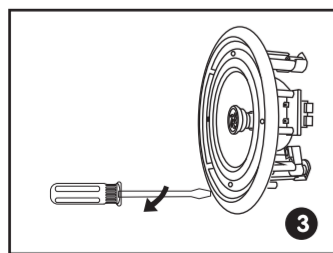
4  
Replace the metal grille.



2  
Connect the speaker wires to the speaker.



5  
Complete.



3  
Screw down each of the four Phillips head screws. The locking tabs will swivel into place and secure the unit to the rear surface of the drywall. Put in the strips of adhesive to secure the grille.

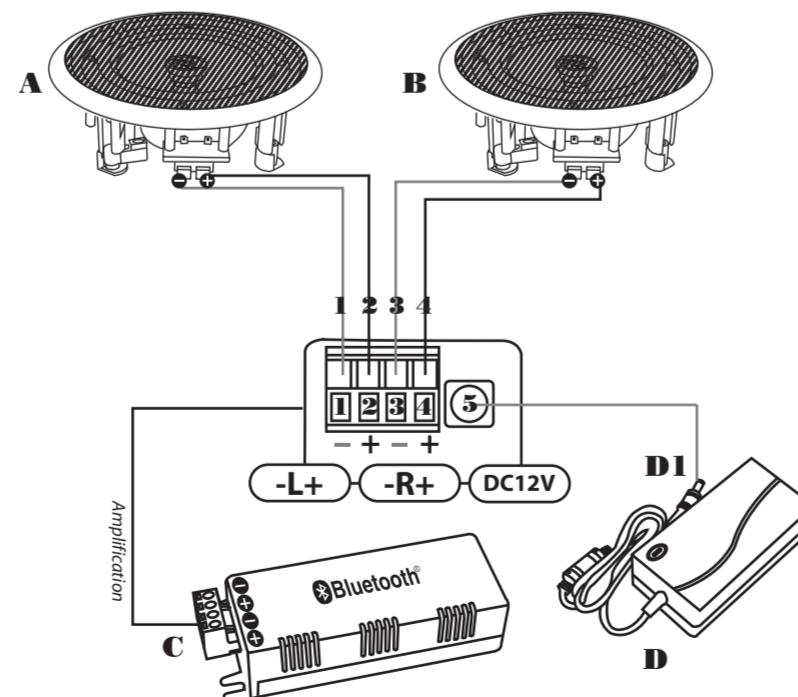
Thank you for purchasing this PYLE Bluetooth Ceiling / Wall Speaker system. It is a state-of-the-art product carefully designed and manufactured for your installation needs, and has been thoroughly tested to ensure consistent and reliable performance.

If you have any question about the installation or operation of your PYLE Bluetooth Ceiling / Wall Speaker System which are not answered by this manual, contact your dealer immediately.

## Bluetooth Connection Diagram

### 2 CHANNEL

- Bluetooth Version: 4.0
- Bluetooth Network Name: Pyle
- Bluetooth Network Password: '0000'
- Bluetooth Wireless Range: 30'+Feet

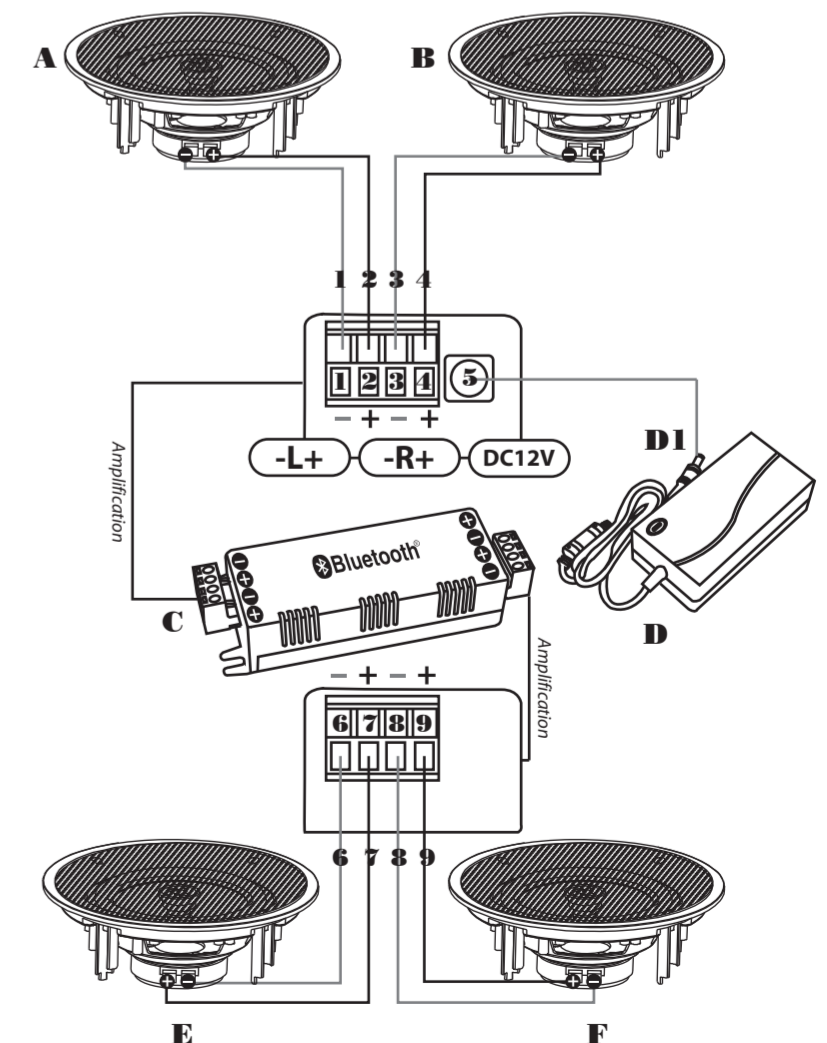


- As shown in pictures, A is speaker, B is speaker, C is bluetooth controller, D is power adapter.
- As shown in Picture C, port (1)(2) connect to the negative pole of speaker in Picture A, port (3)(4) connect to the positive pole of speaker in Picture B, port (5) connects to power adapter in Picture D's D1 port.

## Bluetooth Connection Diagram

### 4 CHANNEL

- Bluetooth Version: 4.0
- Bluetooth Network Name: Pyle
- Bluetooth Network Password: '0000'
- Bluetooth Wireless Range: 30'+Feet



- As shown in pictures, A is speaker, B is speaker, C is bluetooth controller, D is power adapter, E is speaker, F is speaker.
- As shown in Picture C, port (1)(2) connect to the negative pole of speaker in Picture A, port (3)(4) connect to the positive pole of speaker in Picture B, port (6)(7) connect to the positive pole of speaker in Picture E, port (8)(9) connect to the positive pole of speaker in Picture F, port (5) connects to power adapter in Picture D's D1 port.