

# About Pyle Series CEILING SPEAKER

Congratulations! You have purchased one of our high quality Pyle SPEAKER. After the numerous testing and investigate by our professional engineers, Pyle Series SPEAKER not only is in unique design, but also could deliver consistent and high performance.

## The General Features of Pyle Series SPEAKER Include:

PDICS6:

6.5"WOOFER

1"HIGH TEMPERATURE VOICE COIL

1.5"TWEETER CUP

120 WATTS PEAK POWER

FREQUENCY RESPONSE:80-16K HZ

8 OHM IMPEDANCE

PDICS8

8"WOOFER

1"HIGH TEMPERATURE VOICE COIL

1.5"TWEETER CUP

200 WATTS PEAK POWER

FREQUENCY RESPONSE:60-16K HZ

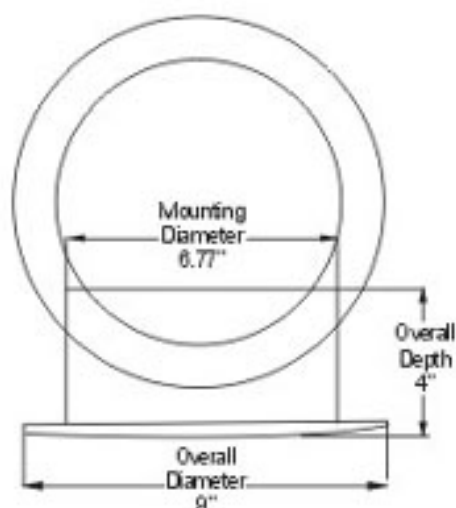
8 OHM IMPEDANCE

100V TRANSFORMER TAPPING AT:

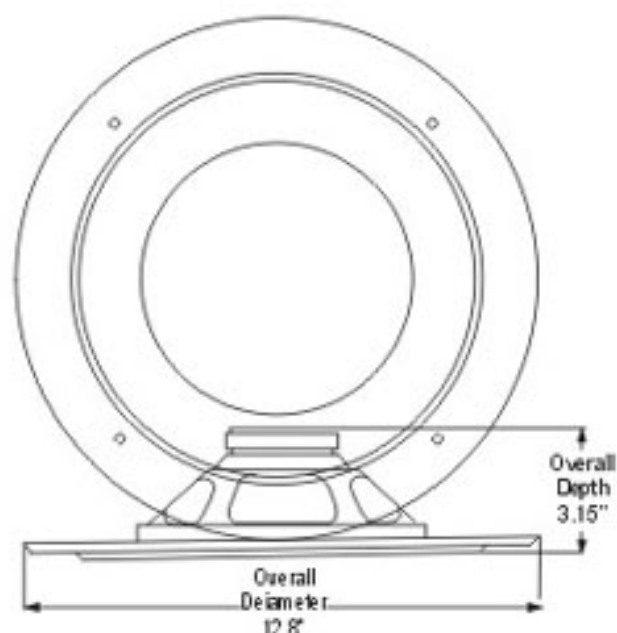
8 OHM,20W,10W

We do confident that Pyle Series SPEAKER will bring you many hours of enjoyment over the years.

## PDISC6



## PDICS8



MODEL NO.	PDICS6	PDICS8
WOOFER	1 X 6.5"	1 X 8"
IMPEDANCE	8 OHM	8 OHM
VOICE COIL	1"	1"
RESPONSE	80-16K HZ	60-16K HZ
SPL(DB)	88	89
TRANSFORMER	WITHOUT	100V, 20W, 10W
PEAK POWER	120 WATTS	200 WATTS

PYLE continually strives to improve the performance and value of its products.  
All specifications are subject to change.

## **MANUFACTURER'S LIMITED THREE YEAR WARRANTY**

**PYLE AUDIO CORP.** warrants this unit to be free from defective material or workmanship and will repair or replace this unit or any part thereof if it proves defective in normal use or service within three (3) years from the date of original purchase.

Our obligation under this warranty is limited to the repairing or replacing, at our discretion, the defective instrument or any part thereof when it is returned, transportation prepaid to the Pyle Service Center at the address below. This warranty will be considered void if the unit has been tampered with, improperly serviced, subjected to abuse or misuse or if installed in a commercial vehicle. This warranty does not cover accidental damage. When returning this unit for service, please include \$15.00 for return postage and handling.

Send your unit to:

**PYLE SERVICE CENTER  
1600-63rd Street  
Brooklyn, New York 11204 USA**

**IMPORTANT:** Pack carefully in original carton if possible. We are not responsible for damage incurred in returning items for repair. A letter stating your exact street address, daytime phone number and the problem you are experiencing should be included. You must also enclose a copy of the original receipt as proof of date of purchase.