

Visit Our Website



SCAN ME
PyleUSA.com

PYLE

PyleUSA.com



PDRMKIT72N



PDRMKIT72RD

13" 3-Piece Kids/Junior Drum Set

Metallic Drum Set with Throne, Cymbal, Pedal,
Bass Drum, Tom and Drumsticks

USER GUIDE

CONTENTS CHECKLIST

First, check the contents of the package and make sure you have everything you need.

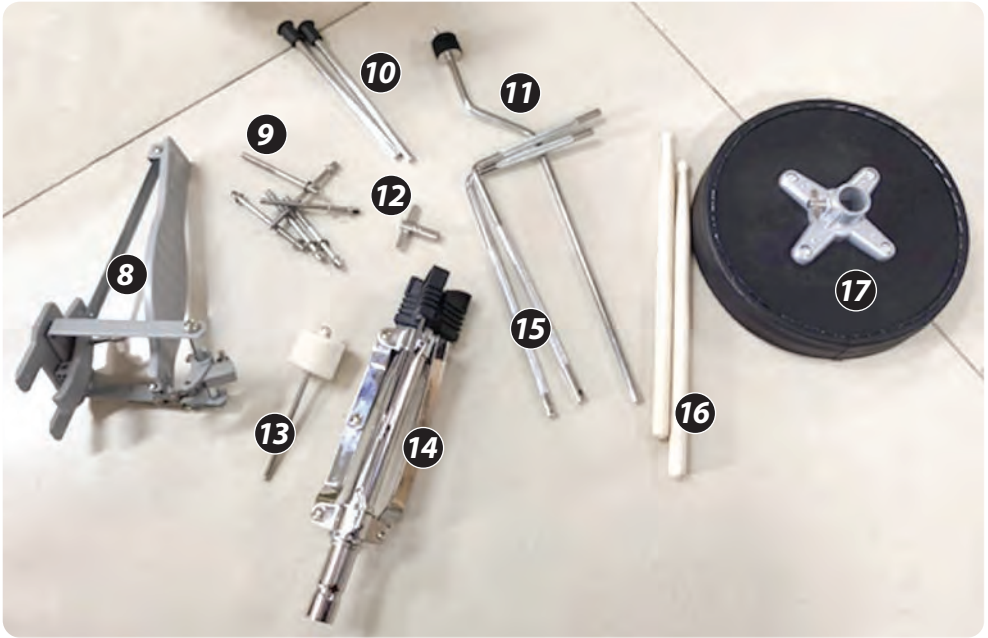
- | | |
|--------------------|-----------------------------|
| 1. Bass Drum Head | 10. Bass Drum Spur |
| 2. Drum Mute Mat | 11. Cymbal Holder |
| 3. Cymbal | 12. Drum Tuning Keys |
| 4. Snare drum | 13. Pedal Heads |
| 5. Tom Tom | 14. Throne Pedestal |
| 6. Bass drum | 15. Tom / Snare Drum Holder |
| 7. Accessory Box | 16. Drumstick |
| 8. Pedal | 17. Throne seat |
| 9. Bass Drum Bolts | |

ASSEMBLY INSTRUCTIONS

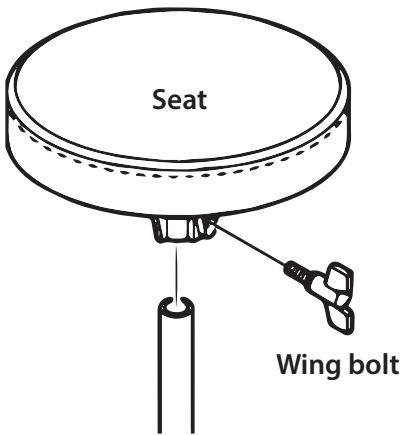
1. Take out all the parts from the package and remove the packing bags.



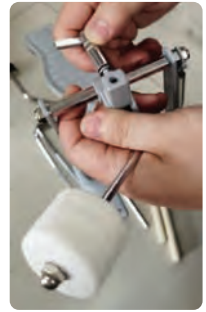
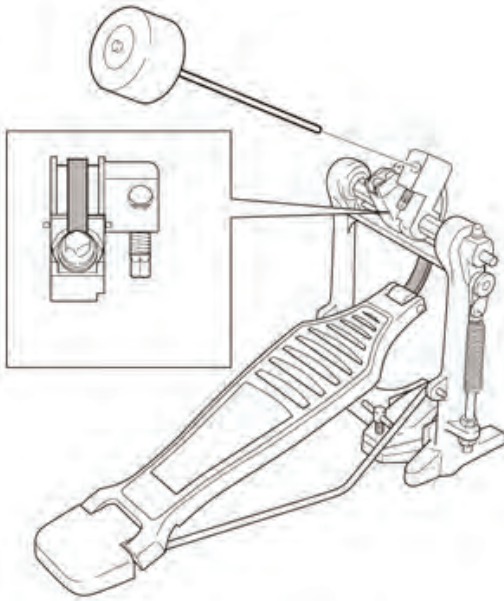
2. Take all the accessories from the accessories box 7.



3. Set up the seat from 14 and 17.

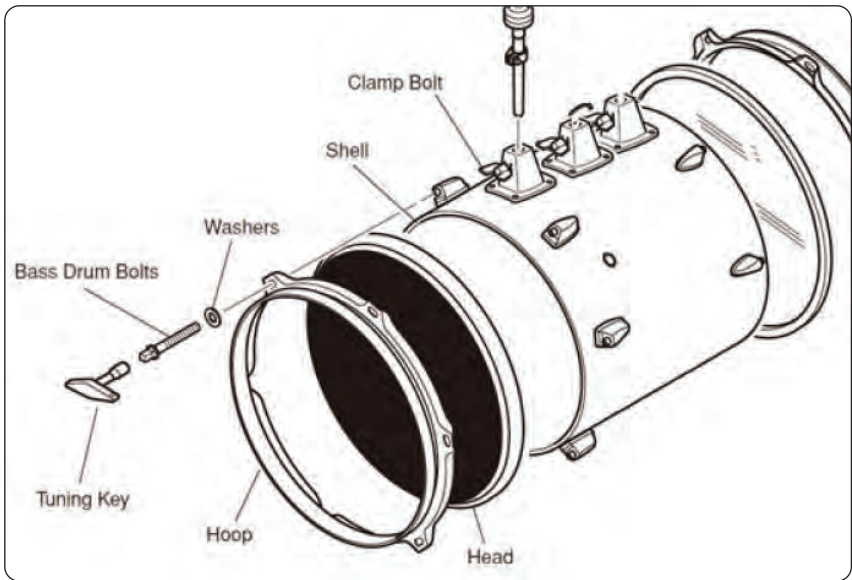


4. Set up the pedal from **8** and **13**.



5. Set up the bass drum: take out the bass drum no. **6**, remove one side bolt and hoop





Put the washers on the bass drum boles and put the drum head on.
Please pay attention the logo position when you put the drum head on.



Using the tuning key to make the drum head tight. Please pay attention that, don't tighten one screw too tight without tightening other screws. The correct way is tighten one screw a little, and then tighten the opposite screw a little, then tighten the besides screw a little, then tighten the left screw a little. Then tighten again by this turn.



6. Set up the bass drum spur **10**. Insert it inside the slot of the bass drum in both side.



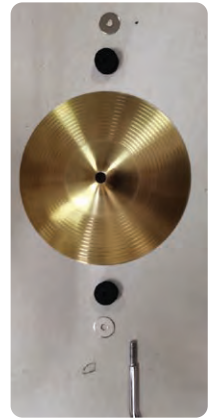
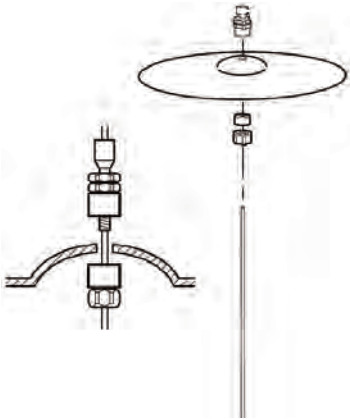
7. Put the bass drum on the floor and adjust the length of the bass drum spur.



8. Set up the cymbal holder **11** and tom/snare drum holder **15** on the bass drum.



9. Set up the cymbal.



10. Set up the tom drum on the right, snare drum on the left. Put the logo on drum head in the correct position as picture.



Set up the pedal on the bass drum hoop by using the screw as below picture.



11. Finish

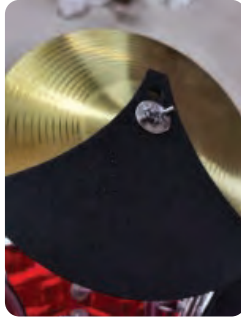


12. If you are afraid it is too loud to annoy your neighborhood, you could put the drum mute mat no. 2 on the drum head.



Setting drum mute mat method as below:

1. For snare drum and tom drum, you could just put the mute mat on the drum head.
2. For cymbal, you need to take the screw and upper felt out, and put the mute mat instead.



3. Set up the bass drum mute mat. At first, tear the adhesive tape and stick it on the bass drum.



4. Finish



Register Product

Thank you for choosing PyleUSA. By registering your product, you ensure that you receive the full benefits of our exclusive warranty and personalized customer support.

Complete the form to access expert support and to keep your PyleUSA purchase in perfect condition.



[PyleUSA.com/register](https://www.PyleUSA.com/register)

PYLE

PyleUSA.com



Questions or Comments

We are here to help!

Phone: 1.718.535.1800

[PyleUSA.com/ContactUs](https://www.pyleusa.com/ContactUs)