

PDWM18BT

2-in-1 5.0 Wireless BT Streaming Transmitter Receiver

Audio Transmitting Box for Home Appliances,
LCD Display, Optical, and AUX Audio Jacks

PYLE
PyleUSA.com

USER GUIDE

Introduction

This is a multifunctional audio adaptor for home audio system. You can use it as a transmitter to wirelessly stream audio from your TV to Wireless BT headphones/speakers, or as a receiver to enable your soundbar/home theatre to receive music streamed from your phone. If you want to have a better experience, please read this instruction carefully.

What's in the Box:

- Wireless BT Transceiver
- (1) Optical Audio Cable
- (1) 3.5mm Audio Cable
- (1) 3.5mm to RCA Audio Cable
- (1) Type-C Power Cable



Features:

- Multifunctional Audio Adaptor for Home Appliances
- 2-in-1 Wireless BT Transmitter and Receiver
- Make Home Entertainment System Wireless
- Simultaneously Stream Audio to One or Two Wireless BT Headphones or Speakers without Delay
- Turn Wired Speakers, CD Players, or any Non-Wireless BT Devices into Wireless
- Compatible with Most TVs on the market with Optical and AUX Audio Jacks
- 1.8' LCD Display and Big Rotary Knob Upgrade Operation
- Experience, Easy to Use, and Farewell Blind Connection
- Unique Bypass Function To Enjoy TV via Non-Wireless BT Headphones and Speakers
- Adopt Advanced Wireless BT Technology



Wireless BT Streaming Connectivity:

- Includes Wireless BT Audio Control Receiver
- Works with All of Today's Latest Devices (Smartphone, Tablet, Laptop, Computer, etc.)
- Wireless BT Network Name: 'PyleUSA'
- Wireless BT Version: 5.0
- Wireless Range: 30'+ ft.

Technical Specs:

- Construction Material: ABS and PC
- Supported Profiles: A2DP, AVRCP
- Audio Codecs: SBC
- Input Voltage / Current: DC5.0V / 500mA
- Supported Sampling Rate in Optical Mode: (32KHz, 48KHz, 96KHz), 16bit
- Supported Audio Format in Optical Mode: PCM
- USB Power Cable Length: 2.26 ft.
- Optical Cable Length: 3.28 ft.
- 3.5mm Audio Cable Length: .97 ft.
- 3.5mm Female to RCA Male Cable Length: 3.38 ft.
- Product Dimensions (L x W x H): 11.3" x 3.07" x 1.30" -inches

Compatibility:

This device can be paired with most of Wireless BT headphones in the market. Each time can be connected with one/two Wireless BT headphones or speakers.

Precautions:

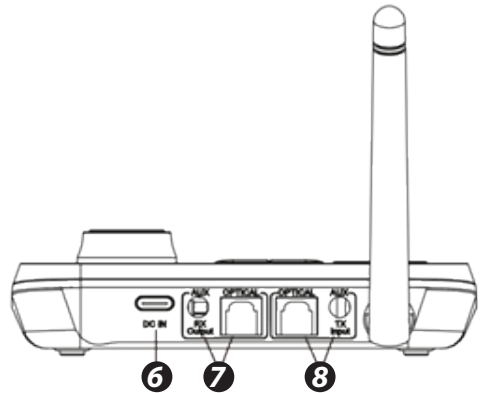
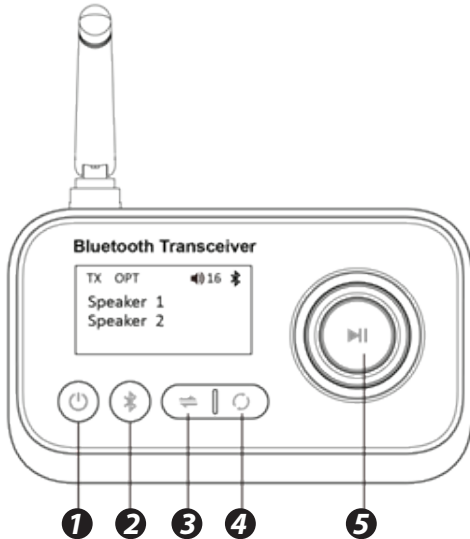
Please read all safety instruction warnings carefully before using this product. Improper use of this product may result in damage to this or attached products. To ensure the products work well, please DON'T:

- Get the Adaptor wet
- Drop the Adaptor as this will invalidate your warranty
- Open up the Adaptor. There are no user serviceable parts inside
- Expose the Adaptor to extreme temperatures or rapid changes of hot to cold or vice versa

Please DO:

- Clean the Adaptor with a soft dry cloth and no detergents

Product Overview:



1. Power ON/OFF
2. Wireless BT Pairing/Re-pairing
3. Mode Switch (TX/RX/BYPASS)
4. Search and pair Wireless BT devices (TX mode)
5. MFB (RX: Pause/ Volume+/-; TX: Up/Down/Confirm)
6. Type-C charging port
7. Output (RX mode)
8. Input (TX mode)

Operating Instructions:

- Power on Wireless BT Transceiver **PDWM18BT**
- Connect **PDWM18BT** transceiver with a Type-C cable included.
- You may use either a USB port on your TV or a wall plug (via a USB adapter that supports 5V)
- Press and hold "1" for 3 seconds to power on the **PDWM18BT** transceiver.



Preparation before setup

1. If you're using it as a Wireless BT receiver (BT-enabling your speaker or sound system) please refer to context of use 1;
2. If your TV is connected to your sound system (e.g. Sound Bar, AV receiver, external speaker) already, please use "bypass" feature and refer to context of use 2;
3. If you're only using it with your TV, please refer to context of use 3.

Context of Use 1: Using as a BT Receiver (RX mode)

1. Switch Wireless BT Transceiver to RX mode, "RX" will be shown on the screen;
2. Connect with speaker/ Soundbar-
 - With 3.5mm Audio Cable
 - With 3.5mm to RCA Audio Cable
 - With Optical Audio Cable
3. Turn ON the Wireless BT on your phone or other device and search for "PyleUSA"
- tap to connect;
4. Once connected, the name of mobile phone or Wireless BT device will be shown on the screen;
5. Press the MFB **5** to pause the music or clockwise/anti-clockwise rotate to increase/decrease the volume.

Please note:

- a. Wireless BT transceiver can connect two mobile phones/devices at the same time.
- b. The transceiver will automatically reconnect to the most recently connected two devices once the Wireless BT of that device has been switched ON.
- c. Press Wireless BT button to disconnect current paired devices.

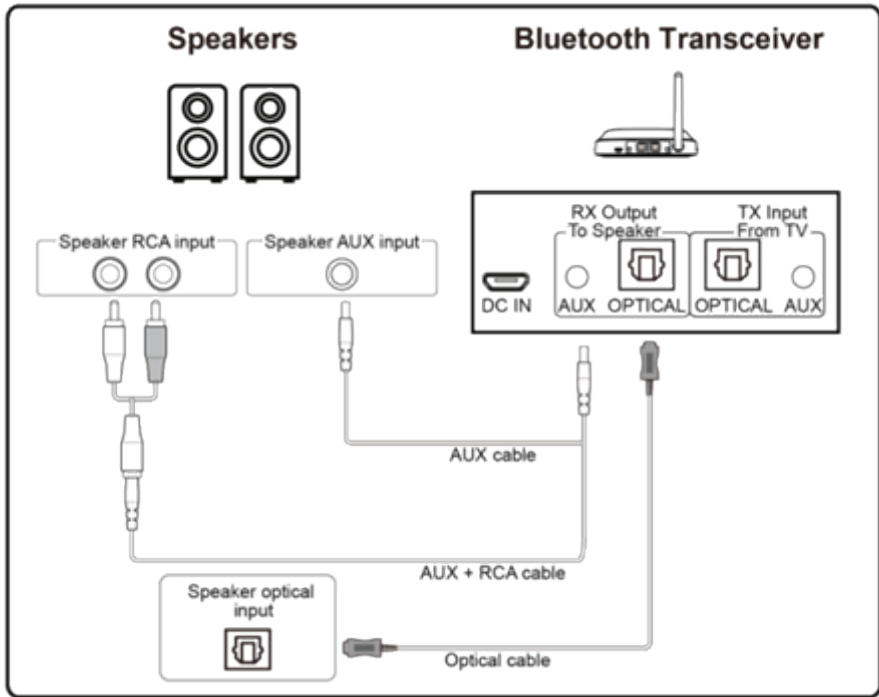


Fig 1: Set up Wireless BT transceiver as Wireless BT Receiver

Context of Use 2: Connect BT transceiver to your TV (BYPASS mode)

“Bypass mode” allows you to use the Wireless BT transceiver and the Sound bar/Sound System at the same time.

1. Press “3” to switch the Wireless BT transceiver to bypass mode, “BYPASS MODE” will appear on the screen.
2. Connect TV and sound system referred to Fig 2.

Please make sure that you use the same type of input/output, e.g:

- If you’re using the OPTICAL cable with TV, please use OPTICAL cable to connect to sound system.
- If you’re using the AUX/RCA cable to connect to TV, please use AUX/RCA cable to connect to sound system.

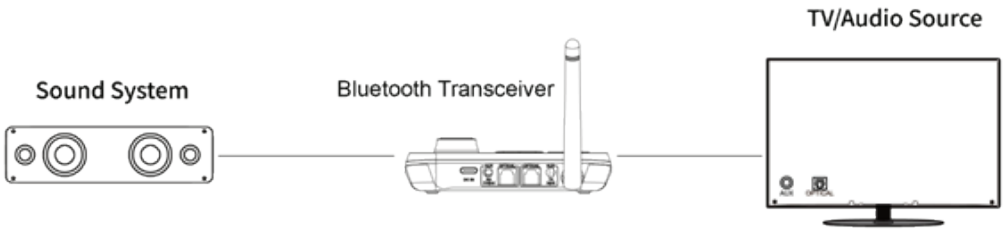


Fig 2: Connect to Wireless BT Transceiver to Sound System (BYPASS mode)

Context of Use 3: Connect BT transceiver to your TV/audio source and BT headphones/speakers (TX mode)

1. Press "3" to switch Wireless BT transceiver to TX mode, "TX" will appear on the LCD screen.
2. Power on Wireless BT headphone/speaker and set them in pairing mode.
3. Keep them close to each other and wait. The name of searched Wireless BT headphone/speaker will appear on the screen.
4. Press the MFB to confirm and a voice prompt will let you know the connection is successful.

How to connect the second headphone/speaker:

1. Enter the second headphone into pairing mode.
2. Press Wireless BT button "2" to search devices.
3. Press the MFB to confirm

How to choose the paired Wireless BT headphones/speakers:

1. Press Wireless BT button "2" to disconnect current two paired devices.
2. The transceiver will automatically enter searching mode and all searched devices name will appear on the screen. (One page only can show four device name)
3. Clockwise/anti-clockwise rotate the MFB to choose the device you need then press to confirm.

How to automatically connect two Wireless BT headphones/speakers:

Press **4** to disconnect current two paired devices and automatically enter searching and connecting model. Once connected, two devices name will appear on the screen.

Please note:

1. The transceiver will automatically reconnect to the recently connected two headphones/speakers once they are on pairing mode.
2. Please choose correct output before connecting. (refer to fig 3)

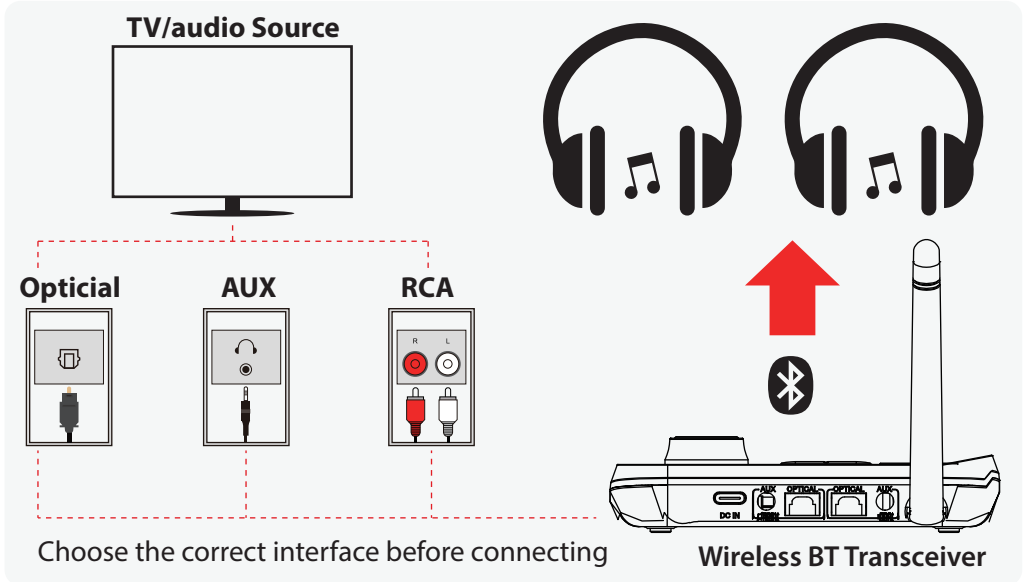


Fig 3: Set up Wireless BT transceiver as Wireless BT transmitter



California Prop 65 Warning

⚠️ WARNING:

This product contains Lead (Pb) which is known to the state of California to cause cancer birth defects and other reproductive harm. Do not ingest.

For more info go to: www.P65warnings.ca.gov

Questions? Issues?

We are here to help!

Phone: (1) 718-535-1800

Email: support@pyleusa.com