

# PDWMU105

## Professional UHF Handheld Microphone

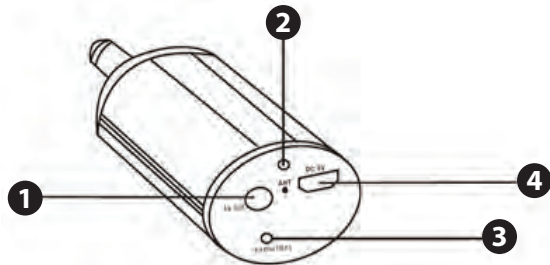
Pro Audio Wireless Mic Transmitter System  
with Adapter Receiver, Selectable Frequency



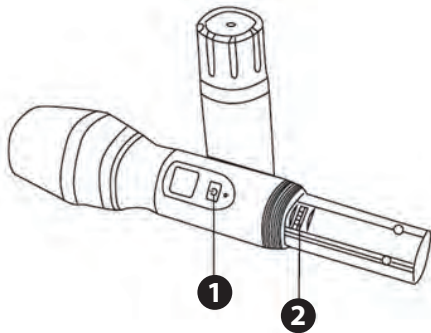
**PYLE**  
PyleUSA.com

**USER MANUAL**

### RECEIVER AND TRANSMITTER INTRODUCTION



1. ON/OFF switch
2. Antenna
3. RF LED indicator
4. DC 5V rechargeable power input



1. ON/OFF switch
2. Frequency Selection Button
3. Frequency Display
4. Battery Compartment

### HOW TO USE?

1. Turn **ON/OFF** switch to **ON**, the LED indicator is lit. Then insert the 1/4"(6.3mm) Input Jack into audio input socket.
2. Install **2PCS AA** batteries in battery compartment. Make sure the polar is correct.
3. Turn **ON** the transmitter, the Frequency Display is bright. Then you could use this system.
4. When the receiver is out off battery, please use the rechargeable cable to charge the built-in battery of the receiver.

### Notice:

1. If there is any noise, distortion, dead points when using this system, it may be caused by low battery, please replace with new battery.
2. After stop using it, please turn the switch to "**OFF**".
3. If you don't use this system for long time, please take out the batteries.

### FREQUENCY MATCHING:

If there are multiple sets of products in the same environment, crosstalk may occur (same frequency and ID). It can be completely solved after matching operation according to the following steps.

1. Turn **OFF** the transmitter and receiver at the same time.
2. **Transmitter:** Press and hold **ON/OFF** switch and Frequency Selection Button at the same time for about 4 seconds, then the Frequency Display will flash
3. **Receiver:** Turn **ON** the power switch of the receiver, then the RF LED indicator flashes four times.
4. **Transmitter:** Shortly press the Frequency Selectable Button to exit the matching operation.

## Features:

- Pro Audio Microphone System
- Handheld Wireless Mic & Receiver Adapter
- UHF Narrow Band Audio Transmitter
- Portable Battery-Operated Design
- Mic Adapter with Built-in Rechargeable Battery
- Digital Display with Selectable Mic Frequency
- Integrated Antenna for Extended Wireless Range
- Simple Plug-and-Play Operation
- Includes Plug-in Audio Adapter Receiver
- Audio Receiver with 1/4" -inch (6.3mm) Jack
- Built-in Acoustic Pop Filter
- Integrated Low Noise Circuitry
- Ultra-Wide Frequency Response
- Noise-Eliminating SMT Technology
- Crisp Audio Clarity for Vocals & Singing
- LED Indicator Light
- Power ON/OFF Switch
- Rugged & Durable Mic Construction with Steel Mesh Grill
- Perfect for Professional Audio Stage & Studio Performances
- Directly Connects to Amplifiers, Stereos, Audio Processors, DJ Mixers
- Used for Home Karaoke, Classroom, Office & Business Applications



## Technical Specs:

- Wireless Operation: UHF Band Transmitter
- Selectable Frequency Mic Design: 16 Channel
- Microphone Element/Type: Dynamic
- Pickup/Polar Pattern: Uni-Directional
- Wireless Operating Range: Up to 165'+ ft.
- Receiver Connector Type: 1/4" -inch (6.3mm)
- Audio Stability: 50PPM
- Frequency Response: 50Hz-18kHz
- Receiving Sensitivity: <95 dBm
- S/N Ratio: 96dB
- Distortion: <0.1%
- Modulation Mode: FM
- Output Power: 10mW
- Harmonic Radiation: <50 dBc
- Receiver Working Current: <100 mA
- Mic Construction Material: Aluminum Metal Alloy
- Receiver Rechargeable Battery: 3.7V Li-iOn, 450mAh - 1.665Wh - 9g
- Power Supply: USB, DC 5V
- Battery Operated Microphone, Requires (2) x 'AA' (Not Included)
- Handheld Mic Size (L x W x H): 10.0" x 2.0" x 2.0" -inches
- Mic Receiver Size (L x W x H): 3.74" x 1.2" x 1.2" -inches

## What's in the Box:

- Wireless Handheld Microphone
- Mic Transmitter Receiver
- USB Charge Cable
- Audio Receiver Adaptor, 6.3mm-to-3.5mm

### Questions? Issues?

We are here to help!

Phone: (1) 718-535-1800

Email: [support@pyleusa.com](mailto:support@pyleusa.com)



**WARNING:**

This product can expose you to a chemical or group of chemicals, which may include "Lead(Pb)" which is known in the state of California to cause cancer, birth defects, or other reproductive harm. For more info, go to <https://www.p65warnings.ca.gov/>.