

**PDWR445TB - PDWR445TW**  
**PDWR545TB - PDWR545TW**  
**On Wall/Patio Commercial Speaker**

2-Way Full Range Stereo Sound,  
Waterproof Enclosure with 70V Built-in Transformer

**Wall Mount Speaker Models:**

| <b>Model</b> | <b>Color</b> | <b>Speaker Size</b> | <b>Built-in Transformer</b> | <b>Marine Grade</b> | <b>MAX Power</b> | <b>RMS Power</b> |
|--------------|--------------|---------------------|-----------------------------|---------------------|------------------|------------------|
| PDWR445TB    | Black        | 3.5"                | 70V                         | IP54                | 40W              | 20W              |
| PDWR445TW    | White        | 3.5"                | 70V                         | IP54                | 40W              | 20W              |
| PDWR545TB    | Black        | 5.25"               | 70V                         | IP54                | 80W              | 40W              |
| PDWR545TW    | White        | 5.25"               | 70V                         | IP54                | 80W              | 40W              |

**PDWR445TB-Black / PDWR445TW-White**

**Features:**

- Marine Grade Waterproof Construction
- 2-Way Full Range Stereo Sound
- Custom Tooled Design for High Power and Deep Bass Response
- Removable & Rust Proof Aluminum Speaker Grills
- Gold Plated Speaker Plug Terminals
- Suitable for Wall Mounting via Adjustable Fixing Bracket.
- Heavy Duty Engineered Plastic Composite Cabinet
- Rotary Selector Switch for 70V Line Tappings or 8 ohms Operation
- Excellent for Monitor or Surround Sound Applications Option
- Great by the Pool, on the Patio or Public Address Application
- For Indoor / Outdoor Use

**What's in the Box:**

- (1) Speaker Enclosure
- (1) Rubber Cap x 1 (To Block Ventilation Hole on Front Panel of Enclosure to Get Waterproof Sealed)
- (1) Aluminum Mounting Bracket
- (2) Bracket Bolts
- (1) Screw Bag

**Technical Specs:**

- Marine Grade IP54 Rating
- 3.5" Long Throw Woofer
- Magnet Size: 7.8 oz.
- Cone Material: Mica + Rubber Surround
- 0.5" Polymer Dome Tweeter
- 40 Watt Rated Peak Power
- 20 Watt Rates RMS Power
- Frequency Response: 114Hz-20kHz
- 8 Ohm Impedance
- 70V Transformer Tapping: 20W/10W/5W/2.5W/8 Ohm
- Dimensions (L x W x H): 5.91" x 4.33" x 7.87" -inches

**PDWR545TB-Black / PDWR545TW-White**

**Features:**

- Marine Grade Waterproof Construction
- 2-Way Full Range Stereo Sound
- Custom Tooled Design for High Power and Deep Bass Response
- Removable & Rust Proof Aluminum Speaker Grills
- Gold Plated Speaker Plug Terminals
- Suitable for Wall Mounting via Adjustable Fixing Bracket.
- Heavy Duty Engineered Plastic Composite Cabinet
- Rotary Selector Switch for 70V Line Tappings or 8 ohms Operation
- Excellent for Monitor or Surround Sound Applications Option
- Great by the Pool, on the Patio or Public Address Application
- For Indoor / Outdoor Use

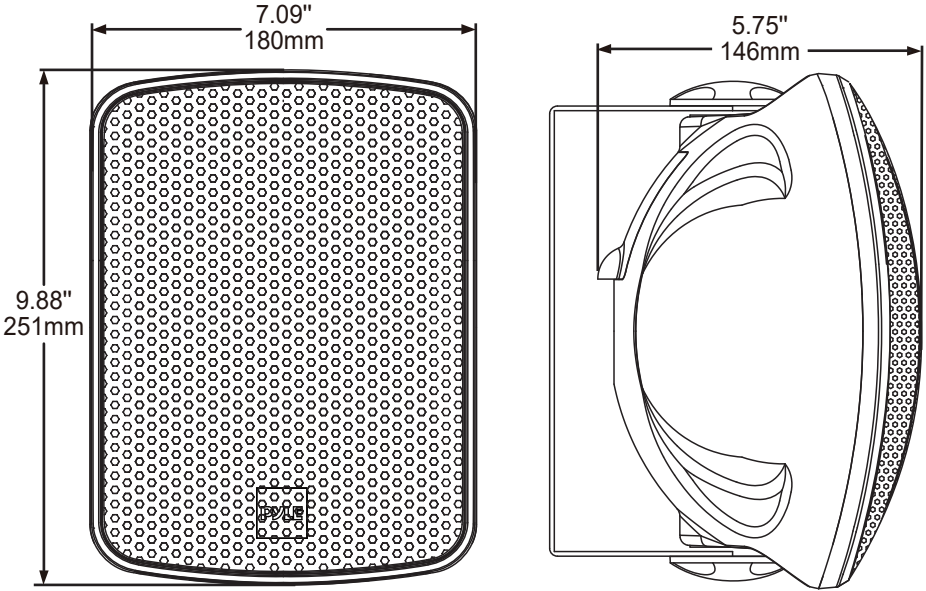
**What's in the Box:**

- (1) Speaker Enclosure
- (1) Rubber Cap x 1 (To Block Ventilation Hole on Front Panel of Enclosure to Get Waterproof Sealed)
- (1) Aluminum Mounting Bracket
- (2) Bracket Bolts
- (1) Screw Bag

**Technical Specs:**

- Marine Grade IP54 Rating
- 5.25" Long Throw Woofer
- 0.5" Polymer Dome Tweeter
- Magnet Size: 13 oz.
- Cone Material: PP Mica + Rubber Surround
- 80 Watt Rated Peak Power
- 40 Watt Rates RMS Power
- Frequency Response: 75Hz-20kHz
- 8 Ohm Impedance
- 70V Transformer Tapping: 40W/20W/10W/5W/8 Ohm
- Dimensions (L x W x H): 7.44" x 5.75" x 9.88" -inches

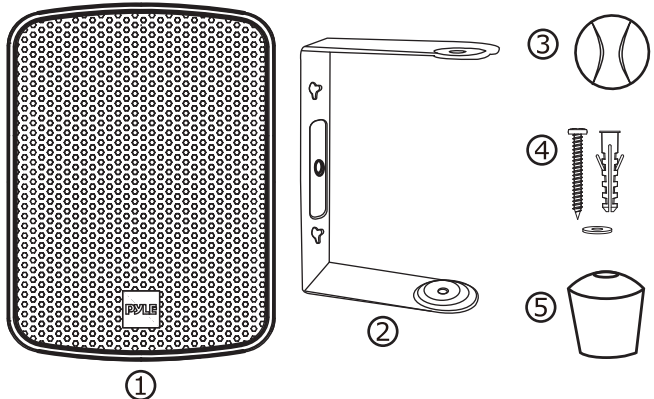
## Overall Dimensions



| MODEL     | DIMENSIONS<br>(L x W x H) |
|-----------|---------------------------|
| PDWR445TB | 5.91" x 4.33" x 7.87"     |
| PDWR445TW | 150 x 110 x 200 mm        |
| PDWR545TB | 7.44" x 5.75" x 9.88"     |
| PDWR545TW | 189 x 146 x 251 mm        |

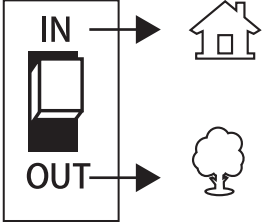
## Packaging Contents

1. (1) Loudspeaker
2. (1) Bracket
3. (2) Bracket Bolts
4. (2) Screws
5. (1) Rubber cap

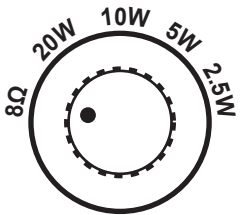





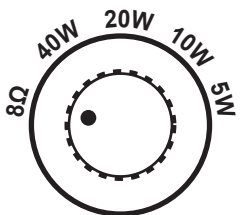
**1**  
indoor - outdoor switch



**2**  
PDWR445TB/W



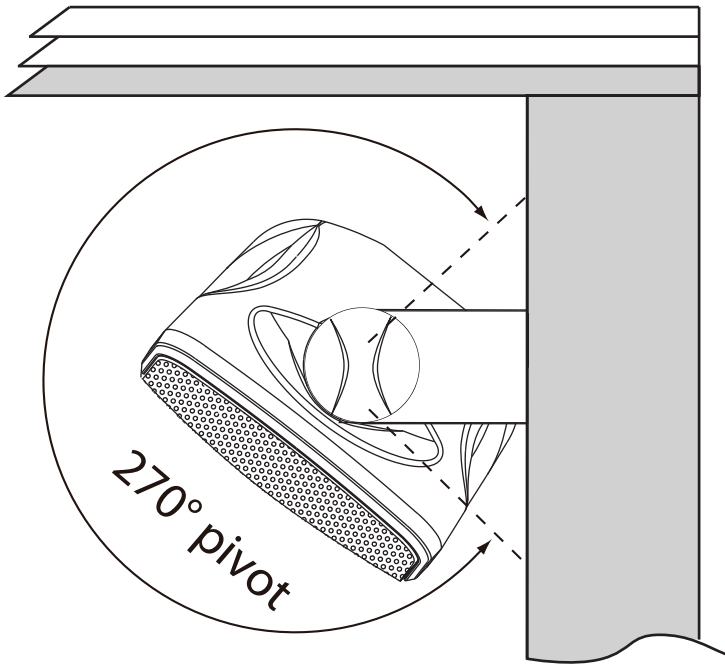
**3**  
PDWR545TB/W



**If the front of your loudspeaker risks exposure during heavy rain (facultative)**

- Remove the grill with a pointed object
- Place the rubber cap in the bass reflex opening.

## MOUNTING





## **MOUNTING THE BRACKET:**

1. Remove the bracket knobs and the bracket from the speaker.
2. Hold the bracket up to the mounting surface.  
The speaker can be mounted either horizontally or vertically.  
Hold the bracket so that the speaker wire fits through the large, circular wire hole in the bracket. Align the bracket to be square with the surroundings (use a level for accuracy).
3. Mark the locations of the three shaped screw holes. Use all of the holes.
4. Drill pilot holes into the mounting surface.
5. Gently pull the speaker wire through the wire hole in the center of the mounting bracket. Align the bracket so that the holes all line up.
6. Use your hardware to attach the bracket to the mounting surface.

## **FINAL ADJUSTMENTS:**

1. After checking that the speaker is in-phase and works correctly, angle the speaker for the best sound.
2. Hand tighten the bracket knobs only.  
Power tools may over-tighten the knob, and strip the threads of the insert.
3. Check that the entire installation is safe and secure.

### **Questions? Comments?**

We are here to help!

Phone: (1) 718-535-1800

Email: [support@pyleusa.com](mailto:support@pyleusa.com)

### **California Prop 65 Warning**

 **WARNING:**

This product contains Di (2-ethylhexyl) phthalate (DEHP) which is known to the state of California to cause cancer birth defects and other reproductive harm. Do not ingest.

For more info go to: [www.P65warnings.ca.gov](http://www.P65warnings.ca.gov)