

Features:

- Versatile Wall Mount Speakers
- Hassle-Free to Set-Up and Mount
- Includes (2) Speakers (Active + Passive)
- 2-Way Full Range Stereo Sound Reproduction
- Impressive Bass Response
- Built-in Digital Sound Amplifier
- Convenient Volume Control
- Custom Design for High Power and Deep Bass Response
- Used for Audio Monitor and Surround Sound Applications
- Quick Connect Screw-Type Speaker Terminals
- Adjustable Angle Wall Mount Brackets
- Rugged & Heavy Duty Cabinet Enclosure
- Rear Panel Audio Settings Control Center
- Connect & Stream Audio from External Devices
- Aux (3.5mm) Input Jack (Loop + Sub)
- RCA (L/R) Audio Connector Jacks
- Screw Terminal Block Speaker Connectors (Active Speaker)
- Rotary Volume, Bass, Treble Adjustment
- Power LED Indicator Light
- Unique Standby/Auto Power On with Audio Signal Input
- Removable & Rust Proof Steel Speaker Grills
- Daisy-Chain Ability (Active to Passive Speaker) Stereo System
- Recommended for Indoor Use Only
- Used for Home, Garage, Enclosed Patio, and Porch Deck Applications

What's In The Box:

- (1) Active Wall Speaker
- (1) Passive Wall Speaker
- Power Cable

Technical Specs:

- Power Supply: 600W (MAX Power)
- RMS Power: 300W
- Speaker Size: Sound System: 5.25" Subwoofers: 0.5" Tweeter
- Subwoofer Type: 5.25" PP Polymer
- Tweeter Type: 0.5" Mylar Dome
- Frequency Response: 70-16 kHz (+/-3dB)
- Speaker Impedance: 8 Ohm
- Audio Sensitivity: 86dB
- Construction Material: Polypropylene
- Power Cable Length: 3.94 ft.
- Power Output: 120-240V
- Single Speaker Dimensions (L x W x H): 7.2" x 6.5" x 9.6" -inches

PYLE
PyleUSA.com

PYLE
PyleUSA.com



VISIT US ONLINE:
Have a question?
Need service or repair?
Want to leave a comment?
PyleUSA.com/ContactUs

PYLE



PDWR58AB - PDWR58AW

5.25" Pro Active Wall
Mountable Speakers

300 Watts RMS Speakers with 2-Way Full
Range Stereo Sound Reproduction, Pair

USER GUIDE

Questions? Issues?

We are here to help!

Phone: (1) 718-535-1800

Email: support@pyleusa.com

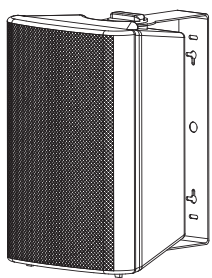
SAFETY INSTRUCTIONS

1. When the speakers are installed in the wall, ensure the wall structure is reliable and that the speakers are firmly attached.
2. Install the speaker in a location that can structurally support the weight of the speaker and its mounting hardware. Otherwise it may result in the unit falling down and causing personal injury.
3. Do not use nails, adhesives or other unauthorized devices. Long-term use and vibrations may cause it to fall easily.
4. Do not touch or bump the woofer and tweeter. If these are damaged, the sound will be distorted.
5. Lower the sound volume when you are changing the input source (for example, to tune FM/CD). Make sure that the power amp/amplifier device radio is turned off when installing or removing the cables.

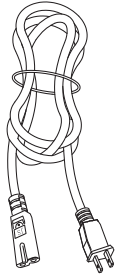
Users Have a Responsibility to Place or Install Safely
The speakers that are placed in the holder can be either wall or ceiling type, using screws to be placed inside of the speakers in the back is optional.

- Mark the mounting bracket as a template with the regional location of the hole slots.

PACKING LIST



Speaker



Power Cable



User Manual

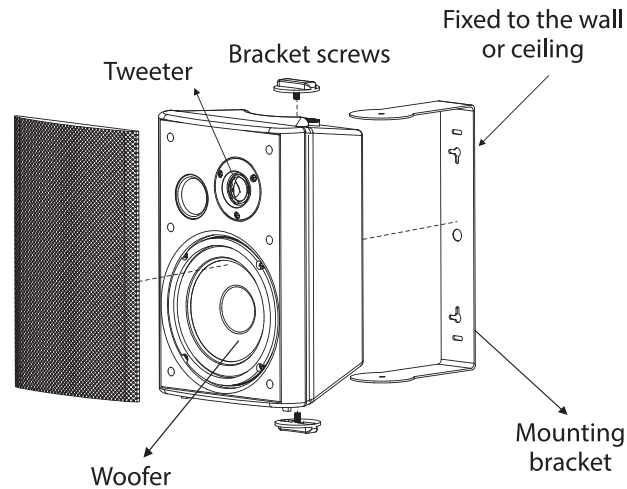
California Prop 65 Warning

⚠️ WARNING:

This product contains Bisphenol A (BPA) which is known to the state of California to cause cancer birth defects and other reproductive harm. Do not ingest.

For more info go to: www.P65warnings.ca.gov

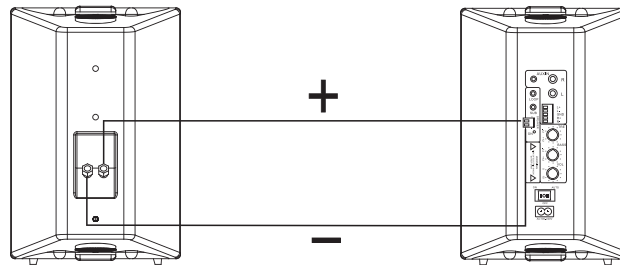
INSTALLATION



Connecting Speakers

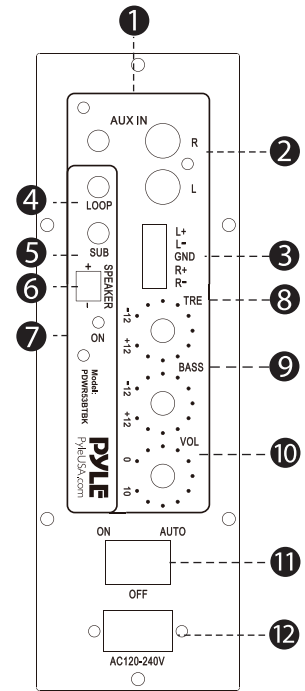
Use the wire on the back of the speaker in the output tab of the amplifier (or radio amplifiers). The standard colors on the terminals are red Positive (+) and black Negative (-). Connect the red wire of the amplifier to speakers (+) tab. Connect one end of the black wire (-) to the other tab. Connect each speaker to make sure that is not (+,-) inverted polarity. If the polarity of the speakers is reversed, the sound will be unnatural and will play without bass.

Stereo Connection



Rear Panel Specification

1. Aux Input
2. RCA Input
3. Balance Input
4. Loop Output
5. Sub Output
6. Speaker Output
7. LED Indicator
8. Treble Adjustment
9. Bass Adjustment
10. Volume Control
11. Power Switch
12. AC Power Cord



Remark

4. **LOOP:** Signal output, connect to active amplifiers.
5. **SUB:** Bass output, connect to active amplifiers (SUB amplifier is better).
6. **Speaker Output:** Connect to passive speakers.
7. **LED Indicator:** During power ON mode, light is constant blue color; During power AUTO mode, lights goes off when there is no signal input and it turns to blue color when signal comes.
11. **Power switch:** When this switch is on Auto position, the amplifier will automatically turn on when a signal is present and it will go standby when there is no signal input.

Under Power VS Over Power

1. Most speaker damage is caused by amplifiers with too little power (wattage).
2. An overdriven amplifier clips the waveforms and leads to speaker distortion.
3. Clipping is usually audible and it may vary from harsh sound to a fuzzy or unclear sound.
4. If you hear the clipping at high volume levels, turn down the volume until the distortion is gone.
5. Damage caused by operating the speakers at distorted volume levels is not covered by the warranty.