



PDWR54BTB - PDWR54BTW
Waterproof Wireless BT Streaming
5.25" Indoor/Outdoor Speaker System, 600 Watt

PDWR65BTRFB - PDWR65BTRFW
Waterproof Wireless BT Streaming
6.5" Indoor/Outdoor Speaker System, 800 Watt

User Manual

WALL MOUNT SPEAKER MODELS:

Model	Color	Speaker Size	Built-in BT	Marine Grade	MAX Power	RMS Power
PDWR54BTB	Black	5.25"	✓	✓	600	300
PDWR54BTW	White	5.25"	✓	✓	600	300
PDWR64BTB	Black	6.5"	✓	✓	800	400
PDWR64BTW	White	6.5"	✓	✓	800	400

PDWR54BTB-Black

- System Includes (2) Speakers
- Active & Passive Speaker System
- Built-in 2 Channel Amplifier
- Bluetooth Wireless Music Streaming
- Marine Grade waterproof Construction
- 2-Way Full Range Stereo Sound
- Custom Tooled Design for High Power and Deep Bass Response
- Removable & Rust Proof Aluminum Speaker Grills
- Gold Plated Speaker Plug Terminals
- RCA(L/R) Audio Input Connector Jacks
- Single RCA Speaker Output Connector Jack
- Rotary Volume Control
- Spring Loaded Mounting Bracket Included
- Heavy Duty Engineered Plastic Cabinet
- Built-in Capacitor Speaker Protection
- Ability to Daisy-Chain Active Speaker to Passive Speaker as Stereo System
- Excellent for Monitor or Surround Sound Applications
- Great by the Pool, on the Patio or in the Boat
- For Indoor / Outdoor Use

Technical Specs:

- Marine Grade IP44 Rating
- 5.25" Long Throw Woofers
- 1.0" Polymer Dome Tweeters
- Magnet Size: 10oz.
- Cone Material: PP Mica + Rubber Surround
- 600 Watt Rated Peak Power
- 300 Watt Rates RMS Power
- Frequency Response: 90Hz-20kHz
- 8 Ohm Impedance
- Dimensions (L x W x H): 5.75" x 7.09" x 9.88"

PDWR54BTW-White

- System Includes (2) Speakers
- Active & Passive Speaker System
- Built-in 2 Channel Amplifier
- Bluetooth Wireless Music Streaming
- Marine Grade waterproof Construction
- 2-Way Full Range Stereo Sound
- Custom Tooled Design for High Power and Deep Bass Response
- Removable & Rust Proof Aluminum Speaker Grills
- Gold Plated Speaker Plug Terminals
- RCA(L/R) Audio Input Connector Jacks
- Single RCA Speaker Output Connector Jack
- Rotary Volume Control
- Spring Loaded Mounting Bracket Included
- Heavy Duty Engineered Plastic Cabinet
- Built-in Capacitor Speaker Protection
- Ability to Daisy-Chain Active Speaker to Passive Speaker as Stereo System
- Excellent for Monitor or Surround Sound Applications
- Great by the Pool, on the Patio or in the Boat
- For Indoor / Outdoor Use

Technical Specs:

- Marine Grade IP44 Rating
- 5.25" Long Throw Woofers
- 1.0" Polymer Dome Tweeters
- Magnet Size: 10oz.
- Cone Material: PP Mica + Rubber Surround
- 600 Watt Rated Peak Power
- 300 Watt Rates RMS Power
- Frequency Response: 90Hz-20kHz
- 8 Ohm Impedance
- Dimensions (L x W x H): 5.75" x 7.09" x 9.88"

PDWR64BTB-Black

- System Includes (2) Speakers
- Active & Passive Speaker System
- Built-in 2 Channel Amplifier
- Bluetooth Wireless Music Streaming
- Marine Grade waterproof Construction
- 2-Way Full Range Stereo Sound
- Custom Tooled Design for High Power and Deep Bass Response
- Removable & Rust Proof Aluminum Speaker Grills
- Gold Plated Speaker Plug Terminals
- RCA(L/R) Audio Input Connector Jacks
- Single RCA Speaker Output Connector Jack
- Rotary Volume Control
- Spring Loaded Mounting Bracket Included
- Heavy Duty Engineered Plastic Cabinet
- Built-in Capacitor Speaker Protection
- Ability to Daisy-Chain Active Speaker to Passive Speaker as Stereo System
- Excellent for Monitor or Surround Sound Applications
- Great by the Pool, on the Patio or in the Boat
- For Indoor / Outdoor Use

Technical Specs:

- Marine Grade IP44 Rating
- 6.5" Long Throw Woofers
- 1.0" Polymer Dome Tweeters
- Magnet Size: 13 oz.
- Cone Material: PP Mica + Rubber Surround
- 800 Watt Rated Peak Power
- 400 Watt Rates RMS Power
- Frequency Response: 70Hz-22kHz
- 8 Ohm Impedance
- Dimensions (L x W x H): 7.28" x 9.25" x 13.0"

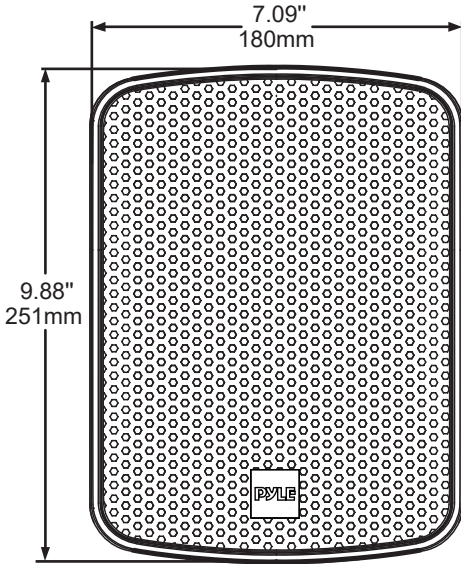
PDWR64BTW-White

- System Includes (2) Speakers
- Active & Passive Speaker System
- Built-in 2 Channel Amplifier
- Bluetooth Wireless Music Streaming
- Marine Grade waterproof Construction
- 2-Way Full Range Stereo Sound
- Custom Tooled Design for High Power and Deep Bass Response
- Removable & Rust Proof Aluminum Speaker Grills
- Gold Plated Speaker Plug Terminals
- RCA(L/R) Audio Input Connector Jacks
- Single RCA Speaker Output Connector Jack
- Rotary Volume Control
- Spring Loaded Mounting Bracket Included
- Heavy Duty Engineered Plastic Cabinet
- Built-in Capacitor Speaker Protection
- Ability to Daisy-Chain Active Speaker to Passive Speaker as Stereo System
- Excellent for Monitor or Surround Sound Applications
- Great by the Pool, on the Patio or in the Boat
- For Indoor / Outdoor Use

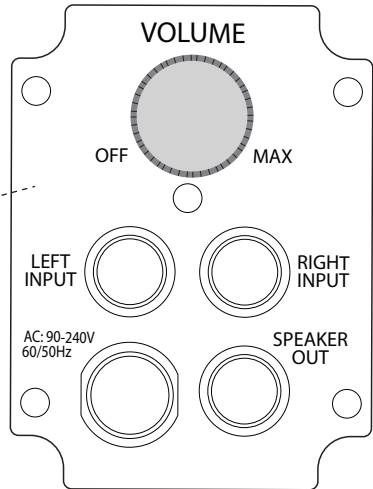
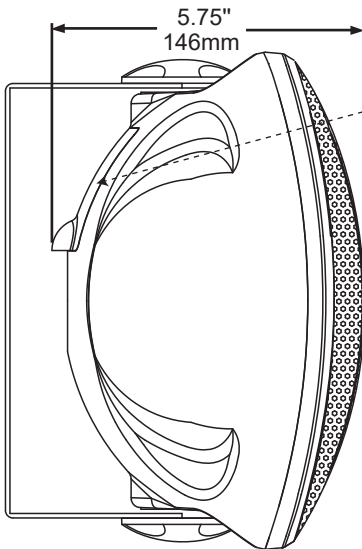
Technical Specs:

- Marine Grade IP44 Rating
- 6.5" Long Throw Woofers
- 1.0" Polymer Dome Tweeters
- Magnet Size: 13 oz.
- Cone Material: PP Mica + Rubber Surround
- 800 Watt Rated Peak Power
- 400 Watt Rates RMS Power
- Frequency Response: 70Hz-22kHz
- 8 Ohm Impedance
- Dimensions (L x W x H): 7.28" x 9.25" x 13.0"

OVERALL DIMENSIONS



MODEL	DIMENSIONS (L x W x H)
PDWR54BTB	5.75" x 7.09" x 9.88"
PDWR54BTW	146 x 180 x 251mm
PDWR64BTB	7.28" x 9.25" x 13.0"
PDWR64BTW	185 x 235 x 330mm



Controller

WIRELESS BT STREAMING CONNECTION

Please be sure the Wireless BT Streaming is turned on at your device. When the device is in BT range, it will connect BT automatically and will be diconected automatically when it is out of BT range.

PACKAGING CONTENTS

1. 2 LOUDSPEAKERS

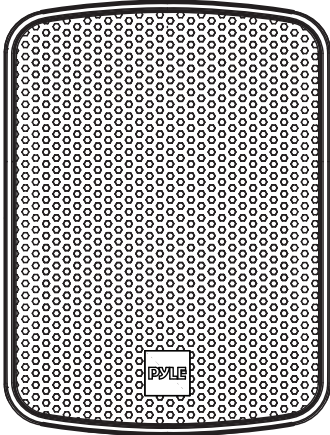
2. 2 BRACKETS

3. 4 BRACKET BOLTS

4. 4 SCREWS

5. 1 CONNETION WIRE

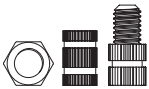
6. 1 RCA WIRE



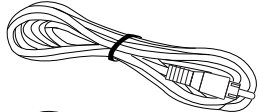
①



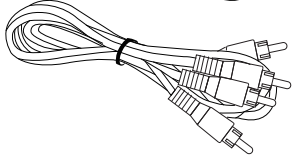
③



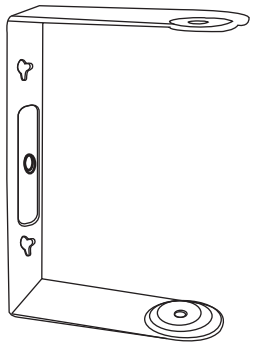
④



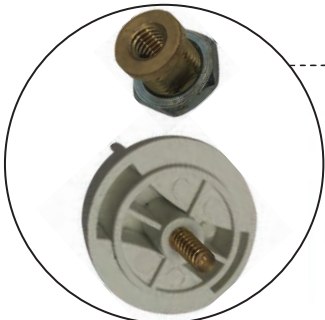
⑤



⑥



②



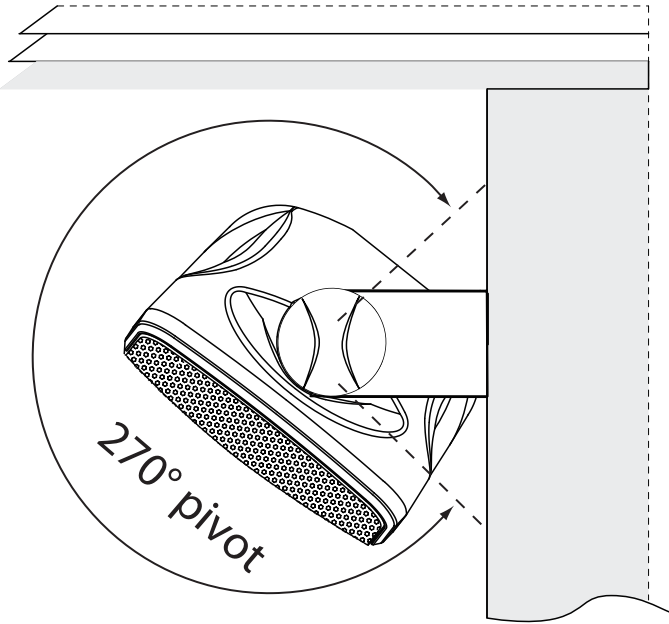
Screw for the bracket



Screw on the back



MOUNTING



MOUNTING THE BRACKET:

1. Remove the bracket knobs and the bracket from the speaker.
2. Hold the bracket up to the mounting surface. The speaker can be mounted either horizontally or vertically. Hold the bracket so that the speaker wire fits through the large, circular wire hole in the bracket. Align the bracket to be square with the surroundings (use a level for accuracy).
3. Mark the locations of the three shaped screw holes. Use all of the holes.
4. Drill pilot holes into the mounting surface.
5. Gently pull the speaker wire through the wire hole in the center of the mounting bracket. Align the bracket so that the holes all line up.
6. Use your hardware to attach the bracket to the mounting surface.

FINAL ADJUSTMENTS:

1. After checking that the speaker is in-phase and works correctly, angle the speaker for the best sound.
2. Hand tighten the bracket knobs only. Power tools may over-tighten the knob, and strip the threads of the insert.
3. Check that the entire installation is safe and secure.

PYLE

PyleUSA.com



VISIT US ONLINE:

Have a question?

Need service or repair?

Want to leave a comment?

PyleUSA.com/ContactUs

PYLE

Questions? Issues?

We are here to help!

Phone: (1) 718-535-1800

Email: support@pyleusa.com