



PDWR69BTB - PDWR69BTW

6.5" Pro Active Wireless BT Streaming Speakers

Wall Mountable, 100 Watts MAX with 2-Way Full Range Stereo Sound Reproduction, Pair

USER GUIDE

CARE AND MAINTENANCE

- Turn off the power to the speaker when unused for long periods of time.
- Ensure all equipment is turned off prior to cleaning. Surfaces and cabinet need only occasional dusting/cleaning. Never use chemicals or solvents as they may damage the surface. Always clean using a dry cloth.
- Never touch the speaker drivers.

Technical Specs:

- Power Supply: 100W (MAX Power)
- RMS Power: 50W (Passive Speaker)
- Speaker Size: Sound System: 6.5" Subwoofers: 0.5" Tweeter
- Subwoofer Type: 6.5" Paper Cone
- Tweeter Type: 0.5" Mylar Dome
- Frequency Response: 70-20 kHz (+/-3dB)
- Speaker Impedance: 8 Ohm
- Audio Sensitivity: 86dB
- Construction Material: Polypropylene
- Power Cable Length: 3.94 ft.
- Power Output: 100-240V
- Single Speaker Dimensions (L x W x H): 8.5" x 7.6" x 11.7" -inches



VISIT US ONLINE:
Have a question?
Need service or repair?
Want to leave a comment?
PyleUSA.com/ContactUs



California Prop 65 Warning

WARNING:
This product contains Bisphenol A (BPA) which is known to the state of California to cause cancer birth defects and other reproductive harm. Do not ingest.
For more info go to: www.P65warnings.ca.gov

Questions? Issues?

We are here to help!

Phone: (1) 718-535-1800

Email: support@pyleusa.com

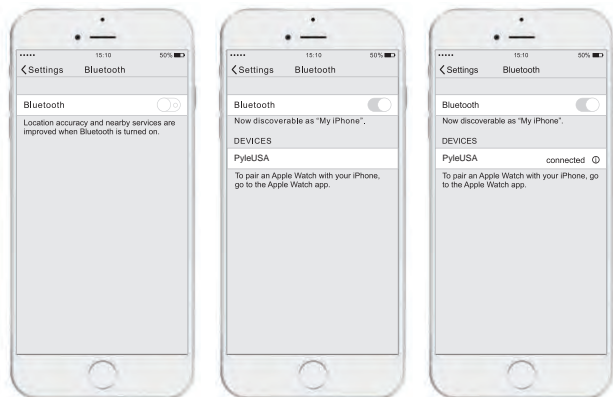
Note:

Anytime you note distortion, reduce the volume to a lower setting. Never allow your amplifier to be driven into "**clipping**". Otherwise the speakers may be damaged. Damage caused by operating the speakers at distorted volume levels is not covered by the warranty.

WIRELESS BT PAIRING

Ensure the speaker is connected to the power supply and turned on.

Any BT device (such as phones, tablets, laptops etc.) is available for pairing.



1. Open the setting menu and select BT.
2. Turn on BT and search devices.
3. Click "**PyleUSA**" to pair with your device.

Note:

- Please press the "**MODE**" button to choose the Bluetooth input.
- There will be a prompt sound when BT is connected/disconnected.
- BT Input has the priority when BT input and RCA input are connected simultaneously. To listen to RCA input audio, disconnect from BT before using a RCA input device.
- One device can only connect or control one BT speaker at a time. If device A connects and controls BT, device B cannot search or control the BT speaker. Device A MUST no longer be connected, then device B can connect and control.
- If you want to use the **TWS connection**, make sure two speakers are turned ON and in BT MODE, then hold the TWS button from anyone of the speakers for 3 seconds, two active units will connect automatically.
- If pairing fails the first time, restart all the equipment and then follow the above instructions.
- If you are unable to reconnect a previously connected device, remove the "**PyleUSA**" from the list of paired devices, and then follow the above instructions again.
- The BT connection will be lost if the distance between the speaker and the BT device exceeds 10m (32.8 ft.).

SAFETY INSTRUCTIONS

- **Please read the instructions carefully before installation and use.** Keep the manual safe for future reference.
- Prior to installing the speakers into any wall, check the structure for weight bearing ability and avoid contact with any wiring or plumbing that might be behind the surface area. Installing on soft materials or in areas incapable of supporting the speakers' weight may cause personal injury or damage to the speaker.
- Make sure the speaker is properly secured to the wall. Please use the proper screws, bolts, or anchors. Failure to do so may cause the speaker to become unsecured and cause potential damages/injuries.
- When installing the speakers outside, choose areas such as the underside of eaves to avoid strong direct sunlight that may affect the color and life of the speaker enclosure.
- Use only approved and certified wiring in your installation. Do not stretch or place the wire in contact with sharp objects.
- Prior to removing cables, ensure all power to your amplifier and other components is turned off.
- Damage to the woofer and tweeter may occur if the speaker is dropped or hit—resulting in no sound or distorted sound.
- Never overdrive your speakers to the point of distortion and always reduce volume prior to switching input sources.

PREPARATION

The hardware equipment listed below is needed to install the speaker.



Wire Strippers



Screwdriver



Tape Measure



Stud Finder
(For Wood Stud Wall)



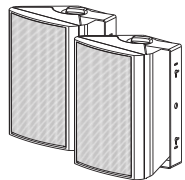
Ladder



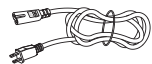
Screw x4

PACKING LIST

Ensure that you have received all parts according to the component checklist prior to installation. If any parts are missing or faulty, contact your place of purchase for a replacement.



Speaker

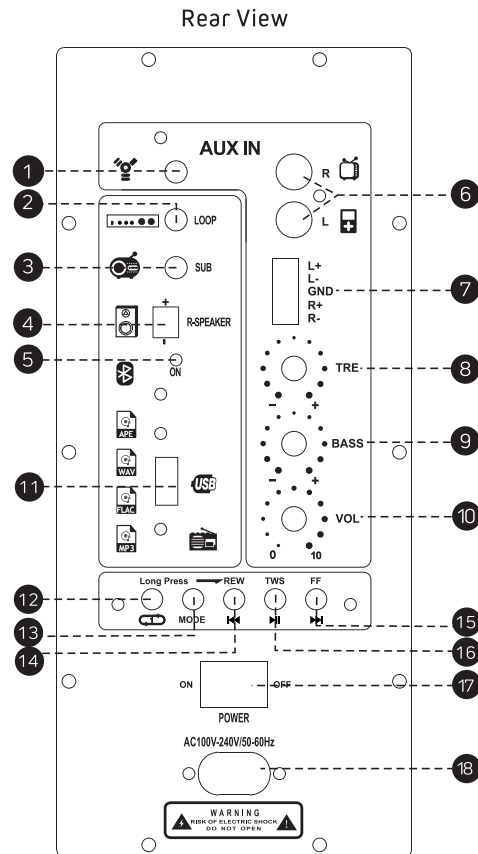
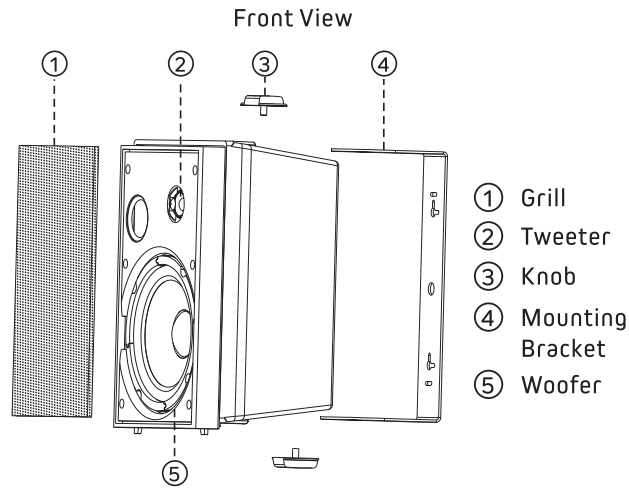


Power Cord



User Manual

SPEAKER OVERVIEW



1. Aux Input

2. **Loop:** A signal output for connecting to the other active speaker or amplifier.
3. **SUB:** Bass output for connecting to subwoofer.
4. **Speaker Output:** 2-Pin terminal block for connecting to the passive speaker.

5. LED Indicator

6. RCA Input

7. **5-Pin European-Style Terminal Block:** Connects to a balanced stereo audio input.
8. **Treble:** Increase or decrease the high frequency response. The 0 position produces a flat response. **Control range:** -12 dB to +12 dB.
9. **Bass:** Increase or decrease the low frequency response. The 0 position produces a flat response. **Control range:** -12 dB to +12 dB

10. Volume Control

11. USB Input

12. Replay

13. Mode: Switches audio sources.

14. Previous (Short Press)

Rewind (Press and hold)

15. Next (Short Press)

Forward (Press and hold)

16. Play/Pause (Short Press)

TWS Pairing (Press and hold)

17. **Power Switch:** When this switch is on Auto position, the amplifier will automatically turn on when a signal is present and it will go standby when there is no signal input in about 15 seconds.

18. AC Power Input

CONNECTION

- Ensure that the speaker is unplugged from the mains before making any connections.
- Connect active and passive speakers as shown. Always check to ensure polarity is correct: "+" to "+", and "-" to "-".

