

PYLE

PyleUSA.com



PHCD22



PHCD59



PHCD55

PHCD22 - PHCD55 - PHCD59

Portable CD Player Boombox with AM/FM Stereo Radio

Wireless BT Streaming & Enhanced Sound, CD-R/CD-RW/MP3/WMA Playback,
USB Port, AUX Input, Headphone Jack, LED Display, AC/Battery Powered

USER GUIDE

Please read these instructions carefully and retain for future reference.

Powering the Unit

1. **AC Power:** Plug AC cord into a standard AC outlet (100-240V~50/60Hz).
2. **Battery Power:** Put UM-2 batteries, 4 pcs, not included.

Tuning the FM Radio

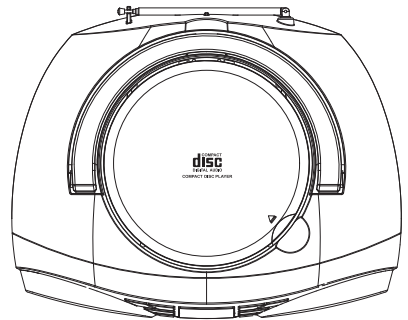
1. Under Standby mode, boot default FM, or adjust MODE to FM.
2. Extend the FM antenna to improve FM radio reception.
3. Press **PREV** or **NEXT** to jump to the previous or next available station, short press for plus or minus, press and hold for semi- automatic search plus or minus.

Tuning the AM Radio

1. Under Standby mode, boot default AM, or adjust MODE to AM.
2. Press **PREV** or **NEXT** to jump to the previous or next available station, short press for plus or minus, press and hold for semi-automatic search plus or minus.

Playing a CD

1. Press **△**, place a disc in the CD compartment and then close the compartment cover.
2. Adjust the Function to CD mode.
3. Press the Play/Pause Button to start playing the CD disc.



Using the Auxiliary Input

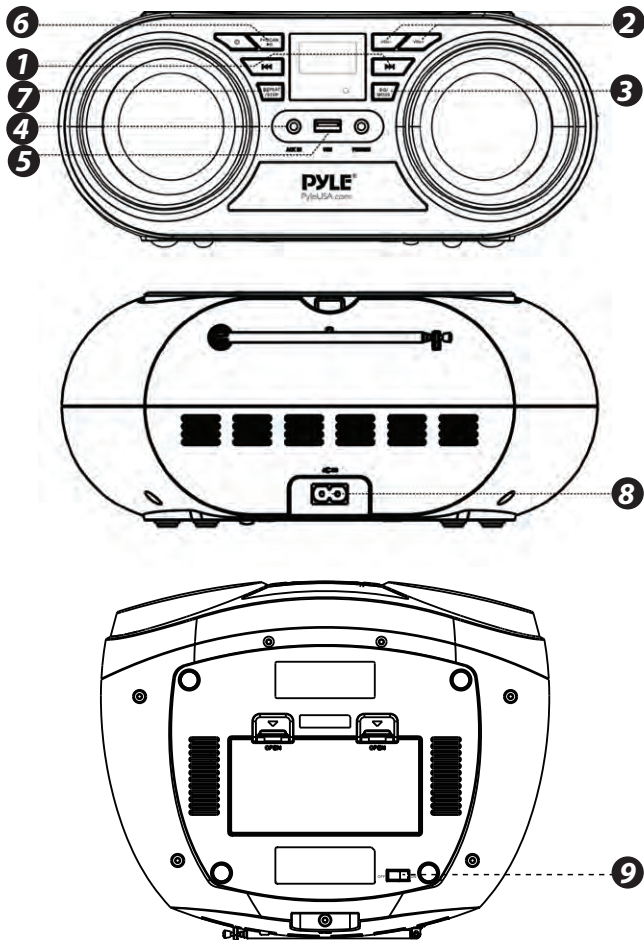
1. Connect a mini-phone 3.5mm cable to the auxiliary input on the unit and the audio output on a MP3 player.
2. Adjust the FUNC to AUX.
3. The Play/Pause Button will not work in Auxiliary mode.

Play from USB devices

Note: Make sure that the USB device contains playable audio content.

Plug the mass storage USB into the USB socket. Play starts automatically. PLAY/PAUSE **▶||** button.

Control Definitions



1. PREV/NEXT

- **In Radio mode:** Press and hold to adjust the Tuning dial to tune the radio to the desired frequency.
- **CD/USB/BT mode:**
 1. Press the **BACK** button **◀◀** to go back to the start of the previous song.
 2. Press the **NEXT** button **▶▶** to jump to the start of the next song.

2. VOLUME +/- Button:

Press to increase or decrease the volume in CD/MP3/USB mode.

In FM mode: Short press to add radio frequency, press and hold for semi-automatic searching. Max U32 display.

- 3. EQ/MODE:** Press and hold **EQ/MODE** key for FLAT/CLASS/JAZZ/ROCK/POP mutual change;
In Boot mode: Short press for Radio/CD/USB/AUX/BT mutual change.
- 4. AUX IN:** Use the Auxiliary Input to connect an external audio source (MP3 player) on the unit.
- 5. USB Direct:** Press mode key on unit or remote control to select USB mode, and put USB to playback music file.
- 6. PLAY/PAUSE/P+/SCA:**
In CD/MP3/USB mode: Press **PLAY/PAUSE BUTTON** to start playing the CD.
In Radio mode: Short press for channel search, press and hold for Auto search.
- 7. STOP/REP/MEM**
- **In Radio mode:** **MEM** function, press to allocate a number from 1–20 to this radio station.
 - **In CD/USB mode:** **STOP/REP** functions, during CD or USB playback, press to select a track you wish to repeat. Press and hold for 2 seconds to cancel the setting. This will not work in AUX/BT.
- 8. AC Power Input:** Use the AC Power Input to connect the unit to an AC power source.
- 9. Power switch ON or OFF**

Wireless BT: Use the mode button on the unit or remote control to change the mode to Wireless BT. Access your devices BT settings and pair your device to the unit. When the correct mode has been selected, you can then use the backward, Play/pause and forward controls on the unit/remote control for music playback.

Wireless BT Streaming Connectivity:

- Hassle-Free Pairing, Simple Music Streaming
- Compatible with All of Today's Latest Wireless BT Devices (Smartphones, Tablets, Laptops, Computers, etc.)
- Wireless BT Version: 5.0V
- Wireless BT Network Name: 'Pyle USA'
- Wireless BT Range: Up to 30.0' ft.

What's in the Box:

- CD player boombox
- AC/DC Power Cord

California Prop 65 Warning



WARNING:

This product contains Nickel carbonate which is known to the state of California to cause cancer birth defects and other reproductive harm. Do not ingest.

For more info go to: www.P65warnings.ca.gov



Features:

- White LED Display
- Auto-Stop (Auto Playback) Function
- AUX-IN 3.5mm
- AM Function (530~1710KHz)
- Battery Power Switch
- Auto Shut Off after 15 minutes of No Playback
- USB Playback
- USB Memory Devices up to 64 GB (FAT/FAT32 format only)
- Twin Stereo Speakers
- Stereo Earphone Jack
- AM/FM Radio, CD/Mp3, USB, Wireless BT 5.0V
- Audio Input and Headphone Jack
- Supporting Storage Device Playback, WMA Files
- Portable Top-loading CD Player for Home
- Built-in Digital AM/FM Stereo Tuner
- Auto-Search and 20 Stations Preset Memory
- Big Volume Dial and AM/FM Dial
- EQ Modes, AC/DC Operated
- 5 Modes: CD/USB/BT/AUX-IN/Radio Mode

Technical Specs:

- Construction Materials: ABS
- Power Output: 50 Watt MAX
- Speaker Type: Portable Radio Boombox
- Sound System: 3" Speakers
- Impedance: 4 Ohm
- Frequency Response: 100-16kHz
- S/N Ratio: 58dB, +/-2dB
- SPL: 89dB (1W/M)
- T.H.D.: <1%
- DC: UM-2 x 4pcs
- AC Voltage: 220V/50Hz, 110V/60Hz
- USB Interface Type: Micro, 2.0
- Digital Audio File Support: MP3, WMA, WAV
- Battery Life: Up to 3+ Hours (with Lights Off)
- Maximum USB Support: Up to 32GB
- Power Supply: USB, DC 5V
- Total Speaker Size (L x W x H): 10.4" x 8' x 5" -inches



PYLE

PyleUSA.com



VISIT US ONLINE:

Have a question?

Need service or repair?

Want to leave a comment?

PyleUSA.com/ContactUs

PYLE

Questions? Issues?

We are here to help!

Phone: (1) 718-535-1800

Email: support@pyleusa.com

