

95mm

PHLTB41BK ULTRASONIC WAVE TOOTHBRUSH

The PHLT41BK has been carefully designed to offer you and your family a new and unique brushing experience, that is both safe and effective. However, when using electrical products, especially when children are present, basic safety precautions should always be followed, including the following.

READ ALL INSTRUCTIONS BEFORE USING DANGER

To reduce the risk of electrocution:

- Always unplug this product immediately after using.
- Do not use while bathing.
- Do not place or store product where it can fall or be pulled into a tub or sink.
- Do not place in or drop into water or other liquid.
- Do not reach for a product that has fallen into water unplug immediately.
- Specific instructions for the proper method of cord storage, total product storage when the product is not in use; and for cord while in use, such as for hand supported products, untwisting and the likes.

WARNING

To reduce the risk of fire, electric shock, or injury:

- Do not leave Appliance when plugged in. Unplug from outlet when not in use and before servicing.
- Do not allow to be used as a toy. Close attention is necessary when used by or near children.
- Use only as described in this manual. Use only manufacturer's recommended attachments.
- Do not use with damaged cord or plug. If Appliance is not working as it should, has been dropped, damaged, left outdoors, or dropped into water, return it to a service center.
- Do not pull or carry by cord, use cord as a handle, close a door on cord, or pull cord around sharp edges or corners. Do not run Appliance over cord.

- Do not unplug by pulling on cord. To unplug, grasp the plug, not the cord.
- Do not handle plug or Appliance with wet hands.
- Turn off all controls before unplugging.
- Never block the air openings of the product or place it on a soft surface, such as a bed or couch, where the air openings may be blocked. Keep the air openings free of lint, hair, and the like.
- Never use while sleeping or drowsy.
- Never drop or insert any object into any opening or hose.
- Do not use outdoors or operate where aerosol (spray) products are being used or where oxygen is being administered.
- Connect this product to a properly grounded outlet only. See grounding instructions.
- Unplug this product before filling. Fill (reservoir) with water only unless otherwise specified by manufacturer. Do not overfill (or specify filling instructions).

SAVE THESE INSTRUCTIONS Household Use Only

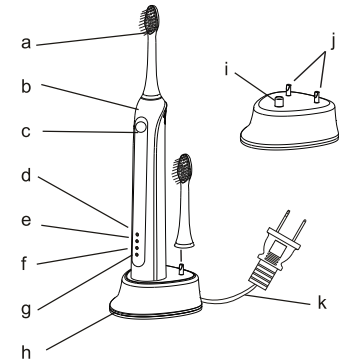
PLEASE READ CAREFULLY BEFORE USE:

- This product has no user serviceable parts. Store the charging unit onto a dry and safe place when it is not in use.
- Untwist the power cord before use.
- In case of the product failing to function, you should not dismantle, exchange or manipulate any part of it, otherwise there is the risk of an electric shock. You should take it to the seller.
- If the supply cord is damaged, it must be replaced by the manufacturer in order to avoid a hazard. You should contact the seller .
- If the product is dropped, the brush head should be replaced before the next use even if no damage is visible This appliance has a polarized plug (one blade is wider than the other). As a safety feature, this plug will fit in a polarized outlet only one way. If the plug does not fit fully in the outlet, reverse the plug. If it still does not fit, contact a qualified electrician. Do not attempt to defeat this safety feature.

Declaration

The toothbrush is in compliance with the applicable provisions of applicable US Federal requirements, including 21 CFR, Chapter 1, Subchapter J, Radiological Health.

LIST OF COMPONENTS



- | | |
|---|-------------------------|
| a. Brush head | f. Massage Working Mode |
| b. Toothbrush Handle | g. Charging Indicator |
| c. Select On/Off & Brushing Mode Button | h. Charger Unit |
| d. Normal Working Mode Indicator | i. Handle Stander |
| e. Whitening Working Mode Indicator | j. Brush head Stander |
| | k. Cable |

CONNECTING AND CHARGING

- PHLT41BK has a waterproof handle . It is electrically safe and is designed for use in the bathroom. But it's not meant to be used while underneath the water.
- Plug the adaptor into an electrical outlet and put the brush handle onto the charging base ,the charging indicator should be lit.
- A full charge takes at least 24hours and enables approximately 6 weeks brushing. charging indicator is shinning when full charge .
- Pull plug out of outlet for saving energy, or leave it and keep the brush on charging base ,there is no risk of overcharging of battery.

USING THE PHLT41BK

Attach a brush head to the handle. You can use any kind of toothpaste. To avoid splashing, guide the brush-head to your teeth before switching the appliance on.

188mm

95mm

BRUSHING TECHNIQUE:

- Guide the brush head slowly from tooth to tooth.
- Hold the brush head in place for a few seconds before moving on to the next tooth.
- Brush the gums as well as the teeth. Start with the outside of the teeth, then the insides ending with the chewing surfaces.
- Do not scrub or press hard, simply let the brush do all the work.

BRUSHING MODES

The PHLTB41BK offers different brushing modes for varying oral care needs:

- Normal** - Exceptional mouth cleaning
- Whitening** - Gentle, yet thorough cleaning for sensitive areas
- Massage** - Gentle stimulation of gums

TWO MINUTE AUTO-TIMER:

The PHLTB41BK has been carefully designed to clean teeth thoroughly and safely. After two minutes of operation the device powers off automatically.

HOW TO SWITCH BETWEEN BRUSHING MODES:

- Power On/Off and brushing mode selection are controlled by the brushing mode button (c). keep pressing this button, the operating sequence is power on, in **Normal mode** then **Whitening mode**, then **Massage mode**, end power off. The device will turn off if any mode work over 5 Sec.
- The PHLTB41BK automatically starts in the Normal mode when pressing the brushing mode button once.
- To shift from Normal mode to Whitening mode, press the brushing mode button a second time.
- If you wish to use the Massage mode, press the brushing mode button one more time.
- When you press the brushing mode button, the brushing mode indicator will be lit, indicating the selected working mode.
- To turn your brush off, press the brushing mode button; if the sonic smile brush handle is on Normal mode, you need to press the button three times to

power off the device. If the sonic smile brush handle is in Whitening mode, you need to press the button twice to power off the device. If the sonic smile brush handle is on Massage mode, you need to press the button once to power off the device.

CLEANING RECOMMENDATIONS:

- After brushing, rinse your brush head thoroughly under running water.
- Remove the brush head from the handle and clean both parts separately under running water. Then wipe them dry before you put the handle onto the charging unit.
- Before cleaning your charging unit, make sure you unplug the adaptor. Only use a dry or damp-dry cloth to wipe the surface of the charging unit. Important:
Do not clean the charging unit by immersing it under running or still water.
- Place the charging unit onto a dry and safe place.
- Do not plug in the charging unit until it is completely dry. This product contains rechargeable batteries in the interest of protecting the environment.



VISIT US ONLINE:

Have a question?
Need service or repair?
Want to leave a comment?

PyleUSA.com/ContactUs

PYLE



PYLE

PyleUSA.com

PHLTB41BK



Ultrasonic Wave Rechargeable Electric Toothbrush USER MANUAL

188mm