



PYLE
PyleUSA.com



PHSKR12

3-Piece Wireless BT Streaming Stereo System

Mini System for Home with MP3, USB, FM Radio,
Bass Reflex Speaker, and Remote Control

USER GUIDE



Please read these instructions carefully and retain for future reference.

WARNING!

TO REDUCE THE RISK OF ELECTRIC SHOCK, DO NOT REMOVE THE COVER OF THIS UNIT. REFER ALL SERVICING TO QUALIFIED SERVICE PERSONNEL.



The lightning flash with an arrowhead symbol, within an equilateral triangle is intended to alert the user to the presence of dangerous voltage within the unit that may be of sufficient magnitude to constitute a risk of electric shock.



The exclamation point within an equilateral triangle is intended to alert the user to the presence of important operating and maintenance (servicing) instructions in the literature accompanying the product.

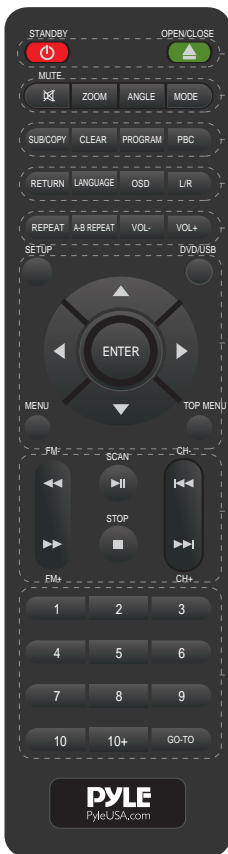
1. Read these instructions.
2. Keep this manual in a safe place for future reference.
3. Heed all warnings.
4. Follow all instructions.
5. To prevent a fire or electric shock hazard, do not expose this equipment to rain or moisture. Do not store and operate this unit near liquid.
6. Clean only with a dry cloth.
7. Do not store or operate this unit near any heat sources such as radiators, heat registers, stoves or other appliances (including amplifiers) that produce heat. Keep this unit in a well-ventilated place.
8. Do not ignore the safety purpose of the polarized or grounding plug.
A polarized plug has two blades with one being wider than the other.
A grounding plug has two blades plus a round pin to ground. The wide blade or the third prong is intended to provide security. If the provided plug does not fit into your outlet, consult an electrician to replace the outlet.
9. Protect the power cord from being walked on or pinched, particularly at the plug and the point where it exits from the unit. When unplugging from the electrical outlet, do not pull the cord, rather grasp the plug firmly.
10. Disconnect the unit during lightning storms or when the unit will not be used for long periods of time.
11. Keep this unit off when connecting it to other devices.
12. After you have completed the installation and connections for the unit, connect all the other equipment with a low volume level. Once all devices are connected, slowly increase the volume to achieve the desired level.
13. Before placement, installation, assembly or suspending any product, inspect all equipment, suspension, cabinets, transducers, brackets and associated equipment.

Any missing component, corroded, deformed or with non-nominal load can reduce the intensity, placement and arrangement of the installation significantly. Any of these conditions can reduce the security of the facility and must be corrected immediately.

14. Refer all servicing to qualified service personnel. Servicing is required when the unit has been damaged in any way such as the power supply cord or plug is damaged, liquid has been spilled or objects have been inserted into the unit, the unit has been exposed to rain or moisture, does not operate normally or has been dropped.

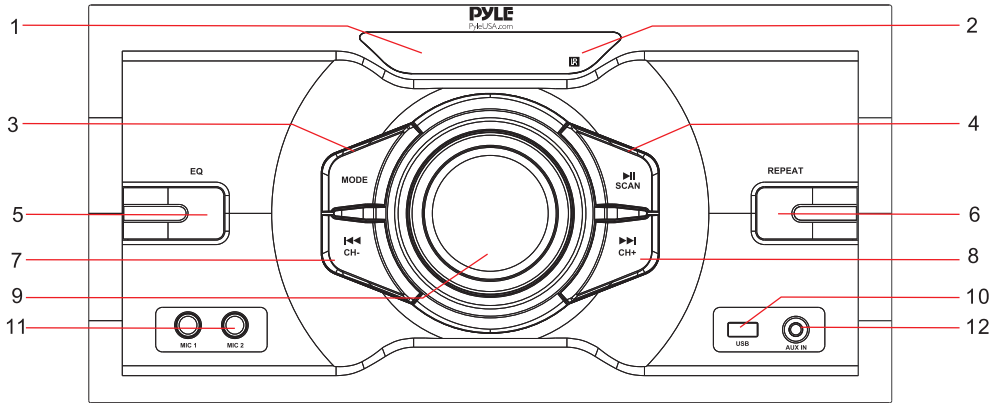
REMOTE CONTROL

Note: Use 2 x 'AAA' batteries (Don't included). Keep away from children.



1. **Standby/Power on/off switch:** Press to open/close the unit power. In this mode, the unit is still consuming a small amount of power.
2. **Mute:** Press to mute or unmute the sound
3. **Zoom:** Magnifies/ Shrinks the screen image size
4. **Angle:** Choose the different angles in the same image (Only support have multi-angle discs)
5. **Mode/Source:** Press to choose Line in (AUX)/BT/ DVD/USB/FM modes
6. **SUB/COPY:** Press subtitle button to displays the subtitles in dvd mode (Only supports multi-subtitle discs) Copy music contents from loaded CD disc to inserted USB drive
7. **Clear:** When using PROGRAM feature, press CLEAR to clear the input number.
8. **PROGRAM:** First, press PROG to enter program status. Then, press ◀ ▶ ▲ ▼ to select the item. Press 0 to 9 to specify the 2-digit order (To cycle, press clear). Press ◀ ▶ ▲ ▼ to select Start, press OK to start programmed playback. Press STOP ■ twice to clear the whole program.

Front Panel



1. LED Display Window

2. Remote Control Sensor

3. Mode (AUX, Wireless BT, USB, FM Radio)

4. Play/Pause/Scan: Press Scan to search for radio stations.

5. EQ (Rock/POP/Flat/Class/Jazz)

6. Repeat (Repeat On/Off): Press to repeat either a single track or all tracks.

7. PREV/CH-: In Radio mode, press CH- to select the previous radio station.

In USB mode, press PREV to select the previous song. Press and hold this button for a few seconds to rewind. In Wireless BT mode, press PREV to select the previous song. In AUX mode, this button does not function.

8. NEXT/CH+: Press CH+ to select the next radio station. In USB mode, press NEXT to select the next song. Press and hold this button for a few second to fast forward. In Wireless BT mode, press NEXT to select next song. In AUX mode, this button does not function.

9. VOL+/VOL-/MENU: Press the button to select a Menu function, i.e. Treble, Bass, Karaoke, Echo, Delay. Turn the button right/left to adjust the volume (Vol+/Vol-).

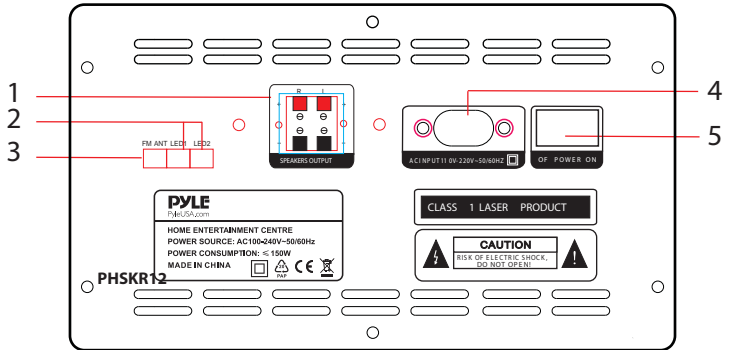
10. USB

11. MIC

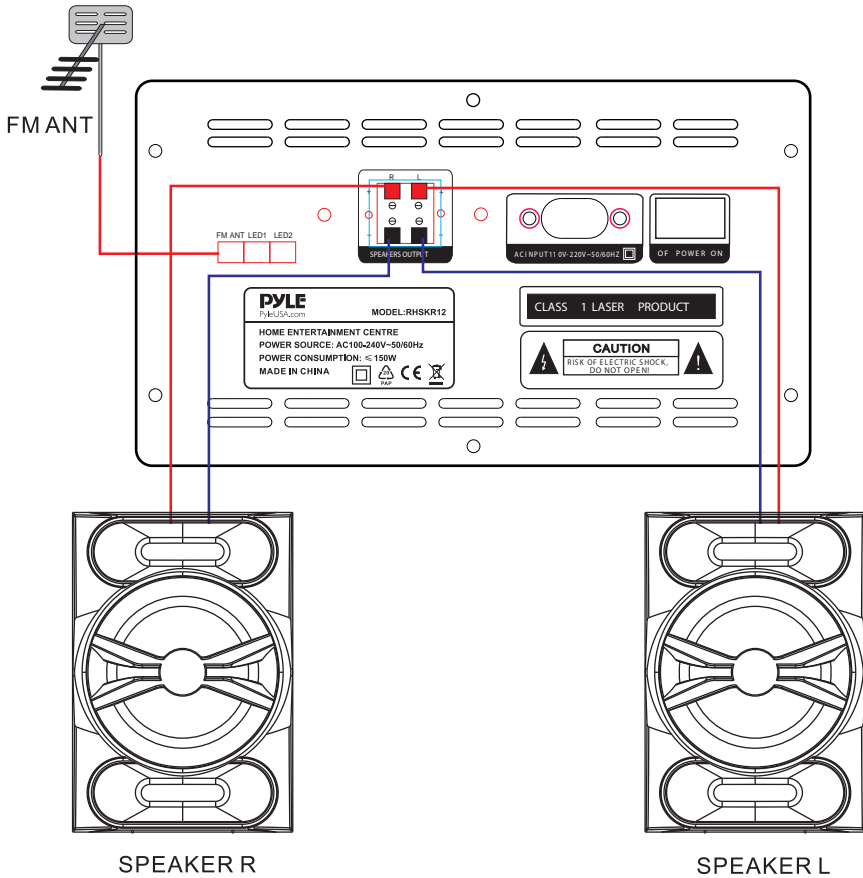
12. AUX

Rear Panel

1. Speaker L/R output
2. LED light out
3. FM antenna
4. Power cable
5. Power On/Off



Connection





RADIO

1. Press the MODE button to select FM mode.
The radio frequency will be displayed on the LED screen.
2. Extend the FM antenna to improve FM radio reception.
3. Press PREV/CH- or NEXT/CH+ track buttons to scan through the radio stations.
Press and hold PREV/CH- or NEXT/CH+ track buttons to auto tune to the next available radio station.
4. Press PLAY/PAUSE/SCAN to auto tune the radio to all available stations and save all found radio stations to memory.

USB

Playing MP3 tracks from a USB flash drive

1. Connect your USB flash drive to the USB port on the front of the stereo.
2. Press the MODE button to select USB mode. USB will be displayed on the screen for a couple of seconds.
3. Press the Play/Pause/Scan button to begin playing your MP3 tracks stored on the USB drive.
4. To change the song being played, press the PREVIOUS or NEXT buttons.
To fast forward or rewind the current song being played, press and hold PREVIOUS or NEXT buttons.
5. The USB storage capacity range must not exceed 16GB.

REPEAT PLAY

The stereo can repeat either a single track or repeat all the tracks on your USB drive.

1. Whilst an MP3 music track is playing from your USB drive, press REP to repeat the current track. ONE will be briefly displayed on the screen.
2. Press REP a second time to change repeat one track to repeat all Files.
ALL will be briefly displayed on the screen.
3. To cancel repeat playback, press REP again and OFF will be displayed on the screen. The player will no longer repeat any tracks.



AUXILIARY INPUT

The stereo can be connected to other audio sources such as a MP3 player, phone or tablet for playback of the audio on the stereo's own speakers.

1. Connect an AUX audio cable (not included) to the AUX socket on the front of the unit and the other end of the cable to an audio output on a MP3 player/ phone/tablet etc.
2. Press the MODE button to change the function to AUX mode.
AUX will be displayed on the screen. Audio played through the connected MP3 player/phone/tablet will now be heard through the stereo.

Wireless BT Connectivity:

- Hassle-Free Pairing, Simple Music Streaming
- Compatible with All of Today's Latest Wireless BT Devices (Smartphones, Tablets, Laptops, Computers, etc.)
- Wireless BT Version: 5.0V
- Wireless BT Network Name: 'PHSKR12'
- Wireless BT Range: Up to 30.0' ft.

Wireless BT Streaming

1. Press Mode button to select BT mode.
2. Search for "PHSKR12" on your device.
3. Once pairing is successful, you can use Play/Pause, Prev/Next buttons on the unit and remote control for music playback.

What's in the Box:

- Wireless BT Streaming Stereo System
- Remote Control
- AC/DC Power Cord
- FM Antenna Cable

Important Notice:

Please retain original packaging for Warranty purposes. Please return with ALL supplied accessories. Supplier reserves the right to make changes at any time without prior notice.



Features:

- Stream Music Wirelessly via BT
- Dual Amplifier for Better Sound Performance
- Audio-in for Portable Music Playback
- Max Sound for Instant Power Boost
- High-Quality Sound, Powerful Bass
- Sleek and Compact Design
- LED Display
- FM Radio
- 1/4" Microphone Input
- EQ Mode (Jazz, Class, Rock, Flat, POP)
- Treble and Bass Adjustment
- Lights on Knob and Speakers (Blue)
- AUX Port Compatible
- Blue Colored Speaker Lights
- FM Radio/USB/AUX/Karaoke
- Digital Amplifier IC for Strong Sound

Technical Specs:

- Power Output: 800 Watt MAX
- Impedance: 6 Ohm
- Frequency Response: 120Hz-15KHz
- Sensitivity (1w/1m): 650mV
- Signal to Noise Ratio: 52dB
- T.H.D.: <10%
- Low Frequency: 120Hz-4KHz
- High Frequency: 4KHz-15KHz
- Wireless Microphone Range: Up to 60' ft.
- Remote Control Battery Operated, requires (2) x 'AAA' Batteries (not Included)
- Maximum USB Flash Support: 32GB
- Power Supply: 110/220V
- Dimensions (L x W x H): 11.6" x 11" x 28" –inches



California Prop 65 Warning

⚠ WARNING:

This product contains Nickel carbonate which is known to the state of California to cause cancer birth defects and other reproductive harm. Do not ingest.

For more info go to: www.P65warnings.ca.gov





PYLE

PyleUSA.com



VISIT US ONLINE:

Have a question?

Need service or repair?

Want to leave a comment?

PyleUSA.com/ContactUs

PYLE

Questions? Issues?

We are here to help!

Phone: (1) 718-535-1800

Email: support@pyleusa.com

