

# PHSP8K

Indoor/Outdoor PA Horn Speaker

8.1" Portable PA Speaker w/ 8 Ohms Impedance & 50W Peak Power

**PYLE**

PyleUSA.com

## User Manual

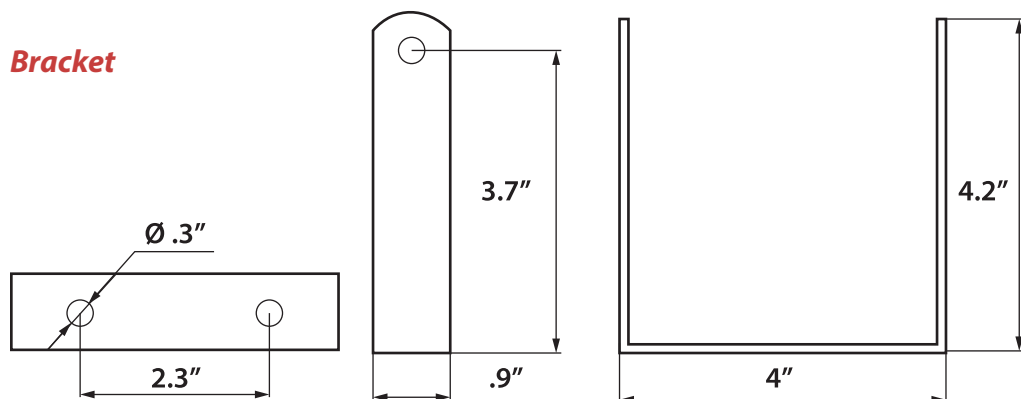
### How to use

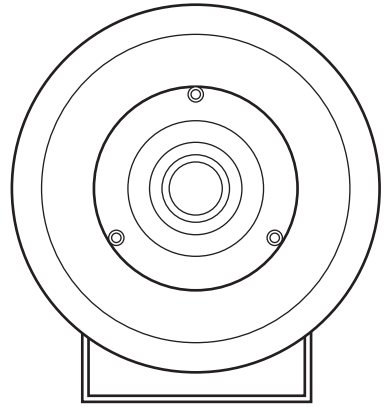
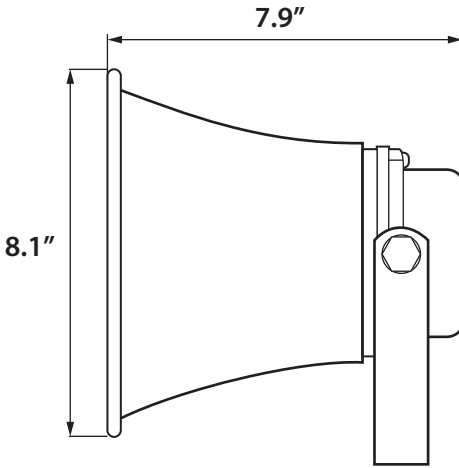
1. Careful attention should be required to the polarity when more than two speakers are in operation at the same place, otherwise the sound of poor quality and/or sound pressure of low level will be reproduced. Connection should be made in the same way as in the case of battery, same polarity with parallel connection and different polarity with series connection.
2. When long wiring is called for, the low impedance connection invites large power loss, resulting in inefficient operation of speakers, in case wiring becomes longer than 50 meters, equip matching transformer and use with proper high impedance.
3. For low impedance connection, the total impedance of speakers should be equal to the output impedance of amplifier.
4. Do not operate the unit for an extended period of time with the sound distorting. This is an indication of a malfunction, which in turn can cause heat to generate and result in fire.



Speaker

### Bracket





### **Features:**

- Aluminum Housing
- Mounting Bracket & Hardware Included
- Clear and Loud Sound
- Heavy-Duty PA Horn Speaker
- Adjustable Bracket
- Can be Bent for Easy Maneuverability
- Equipped with 90 Degrees Swiveling Bracket
- For Indoor/Outdoor Use

### **What's in the Box:**

- PA Horn Speaker

### **Technical Specs:**

- Construction Material: Engineered ABS and Aluminum
- Power/Load Rating: 50 Watts
- Nominal Impedance: 8 Ohms
- Frequency Range: 400 Hz - 6 KHz
- SPL(@ 1W/1m): 103dB
- Product Dimensions: 8.1" x 8.1" x 7.9" -inches

### **Questions? Issues?**

We are here to help!

Phone: (1) 718-535-1800

Email: [support@pyleusa.com](mailto:support@pyleusa.com)



**WARNING:**

This product can expose you to a chemical or group of chemicals, which may include "Nickel Carbonate" which is known in the state of California to cause cancer, birth defects, or other reproductive harm. For more info, go to <https://www.p65warnings.ca.gov/>.