

nutrichef
NutriChefKitchen.com

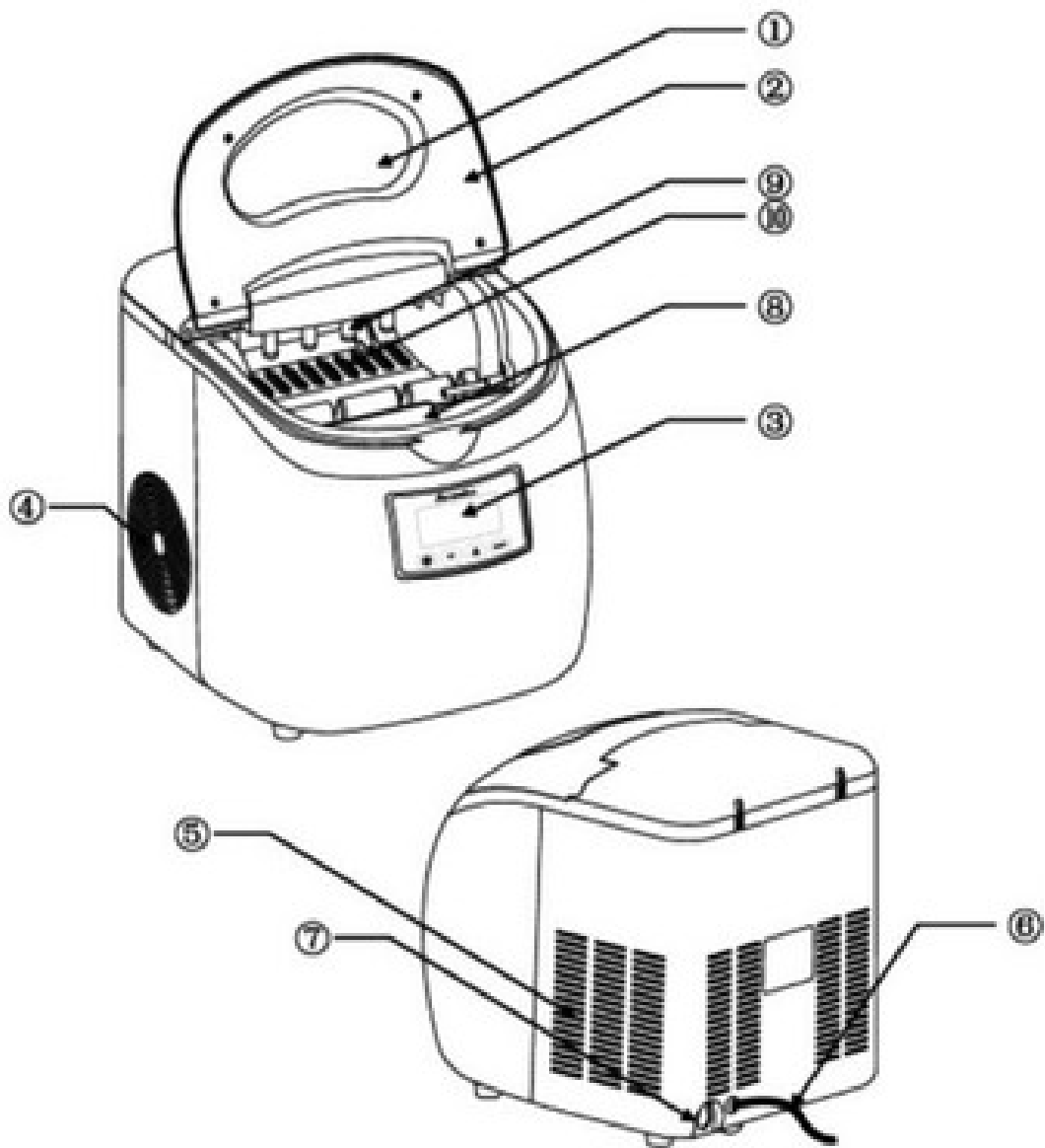
Instruction Manual



Model: PiCEM20

I. Components' Names

- ① Transparent window
- ② Cover
- ③ Operation panel
- ④ Air outlet
- ⑤ Air inlet
- ⑥ Power cord
- ⑦ Water outlet
- ⑧ Ice storage box
- ⑨ Evaporator
- ⑩ Ice making box



III. Safety precautions

1. Power source must be suitable for the standards of the Ice maker. If the voltage fluctuation range is big (Out of the rated voltage $\pm 10\%$), the ice maker may not work smoothly. In such conditions, please use the ice maker with a voltage regulator.
2. Hazardous articles which are explosive and flammable are prohibited to put inside the ice maker. As well as highly corrosive acid and alkali.
3. While the power cord is damaged or the plug is in fault, stop using ice Maker. Cable and plug should be replaced by professional service people.
4. Firmly pull the plug to unplug it from any connected socket; do not pull on the cable for unplugging.
5. Do not use the ice maker in a place with coal gas or other flammable gas leakage.
6. Before cleaning or maintenance e, remember to unplug the unit.
7. The Ice maker is made specifically for making ice cubes; do not use it to refrigerate food or beverages, so as to avoid machine damage.
8. Do not use or store gasoline or other flammable materials besides Ice in the maker, so as to avoid damage and personal injury.
9. Unplug the cable before moving Ice maker, so as to avoid the damage to the refrigerating system.
10. Without professional service people or technicians, do not break down or open panels on the Ice maker, so as to avoid damage and personal injury.
11. Only use the appliance for its intended purpose. The appliance is not intended for use by persons (including Children) whose physical and mental ability is flawed, or those who lack of experience and electric knowledge, including children. Only certified service technicians or repairmen should access any form of repair troubleshooting.
12. Never let children operate the appliance alone.


IV. Placement

1. Place the Ice Maker securely onto a sturdy and even surface.
2. Keep Away from heating sources and avoid direct sunlight, so as not to impact the ice-making performance.
3. The Ice maker should work in a place with well-circulated air ventilation. Ensure that a minimum space of 20cm from Ice maker's air outlet and inlet is not obstructed.
4. Ambient temperature for the Ice maker should not be less than 5 degrees celsius.
5. The ice maker should not be used outdoor.

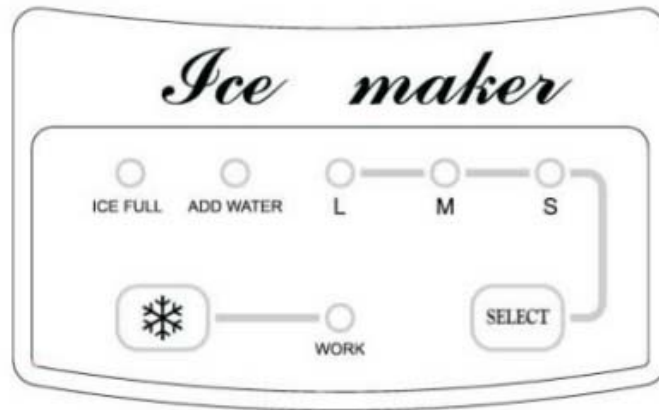
V. Preparation before Use


1. Open all the package components.
2. Read the instructions.
3. Place the ice maker in a suitable position.
4. It is preferable to clean the machine before use.

V. Begin to Use

1. Switch on the power source. Do not turn on the Ice maker within 30 minutes after moving the ice maker.
2. Pour water into the water tank. Please use consumable / drinking water for making ice.
3. Press  key to start making ice.

VI. Operation Panel




Buttons and Icon	Functions
 Button	Making Ice, Standby, Eliminating faults.
SELECT Button	Selecting Ice cube size.
WORK indicator	Power indicator
ICE FULL indicator	Indicate Ice cube fullness.
ADD Water indicator	Indicate water shortage, need filling water.
L / M / S indicator	Three modes of Ice cube size. Large, Middle, Small. Default Setting is M.

Kind Reminder:

1. The information found in this manual is for reference only.
2. For technical questions, please contact the service department.

VII. Faults and Troubleshooting

Faults	Reason	Treatment
WORK indicator is not light.	Power Source is not switched on.	1. Check the power supply matches 2. Check the power cord is connected correctly 3. Internal components are damaged. Maintenance in professional department.
ICE FULL indicator is light.	1. Ice fullness. 2. low-temperature protection (temperature is lower than 5 degrees).	1. Remove the full Ice cube. 2. Move the Ice maker to a warmer place, where the ambient temperature is higher than 5 degrees.
ADD WATER indicator is light.	Water Shortage	1. Add drinking water into Ice maker, and press  Button. 2. Water supply system is damaged. Maintenance in professional department.
ICE FULL indicator and FILL WATER indicator are both light..	Ice Making box is homing in wrong position.	1. Check whether any foreign body stuck the ice making box. 2. Internal components are damaged. Maintenance in professional department.
Ice making performance is not good.	1. Heat elimination is bad. 2. Water temperature is too high. 3. Ambient temperature is too high. 4. Refrigerant leaks.	1. Clean the dust on the cooling fan and air inlet/outlet part. 2. Fill normal temperature water. 3. Do not place the appliance in high temperature conditions. 4. Refrigerating system is damaged. Maintenance in professional department.
Abnormal noise	Fan or pump is damaged.	1. Set up the appliance in right location. 2. Maintenance in professional department.

VIII. Cleaning and Post Ice Making Use

1. Make sure to unplug the appliance before cleaning and long time periods of time of nonuse.
2. Use a damp cloth to clean both the interior and exterior of the appliance.
 - 1). Unscrew the nut of the water outlet, to drain off the water.
 - 2). Pour clean water into the water tank, use a clean cloth to wipe the water tank around. Pour clean water again until the flowing water is clean, and then drain off water completely.
4. Do not use organic solvents, boiling water, cleaning agents, strong acids, and/or Alkali etc substances for cleaning.
5. If ice machine will be off use for a long time, you should unplug the appliance, drain off the water and dry the appliance with a clean cloth, store the ice maker in a clean and dry place.