



PKCHMT18

Cheese Raclette

Electric Cheese Warmer/Melter
with Adjustable Temperature Control

Cheese Raclette - Electric Cheese Warmer/Melter with Adjustable Temperature Control

These instructions contain important information which will help you get the best from your appliance and ensure safe and correct installation, use and maintenance.

CONNECTIONS TO MAIN SUPPLY

Make sure the supply voltage in your home is the same as the voltage marked on the rating plate of the appliance.

GENERAL SAFETY INSTRUCTIONS

1. Children are not aware of the dangers of electrical appliances. Never leave the appliance unattended during use. Therefore always keep the appliance outside the reach of children.
2. The appliance is only suitable for household use.
Never use the appliance outdoors.
3. Certain parts of the appliance may become hot during use. Refrain from touching these areas so as not to burn yourself.
4. Make sure that the appliance and the power cable never come into contact with hot devices such as hotplate or naked flames.
5. Do not allow the power cable to hang down over the edge of the sink, worktop or table.
6. Make sure your hands are dry when you touch the appliance, the power cable or the plug.
7. Never submerge the appliance in water or another liquid.
8. The appliance needs to dissipate its heat in order to prevent fire.
Therefore it is vital to make sure that the appliance has sufficient clearance on all sides and cannot come into contact with flammable materials. The appliance may not be covered up.
9. Do not use the appliance near explosives or flammable materials.
10. Do not use a metal scouring pad to clean the appliance. Fragments of metal could come loose and touch the appliance's electrical parts causing it to short circuit.

11. Always switch the appliance off if:

- It malfunctions while you are using it.
- Before you start maintenance.
- You fit or remove accessories.
- You unplug the appliance.
- You have finished using the appliance.

12. Only use an extension cord that is in good condition.

13. Never switch the appliance off by pulling the cable.

14. Always engage a recognised, trained service engineer if the appliance or the cable is damaged, malfunctions have occurred and/or the appliance requires repairs.

15. Carrying out your own or having inexpert repairs carried out can cause considerable danger for the user.

16. We accept no liability for damage caused by incorrect usage or the ignoring of the regulations in this manual.

17. Use that does not comply with the manual is not covered by the responsibility and the warranty of the manufacturer.

18. When the appliance is not in use and before cleaning, unplug the appliance from the outlet.

19. Children should be supervised to ensure that they do not play with the appliance. This appliance can be used by children aged from 8 years and above and persons with reduced physical, sensory or mental capabilities or lack of experience and knowledge if they have been given supervision or instruction concerning use of the appliance in a safe way and understand the hazards involved. Children shall not play with the appliance. Cleaning and user maintenance shall not be made by children unless they are older than 8 and supervised. Keep the appliance and its cord out of reach of children less than 8 years.

20. The surfaces are liable to get hot during use.

21. Appliances are not intended to be operated by means of an external timer or separate remote-control system

22. The temperature of accessible surfaces may be high when the appliance is operating.

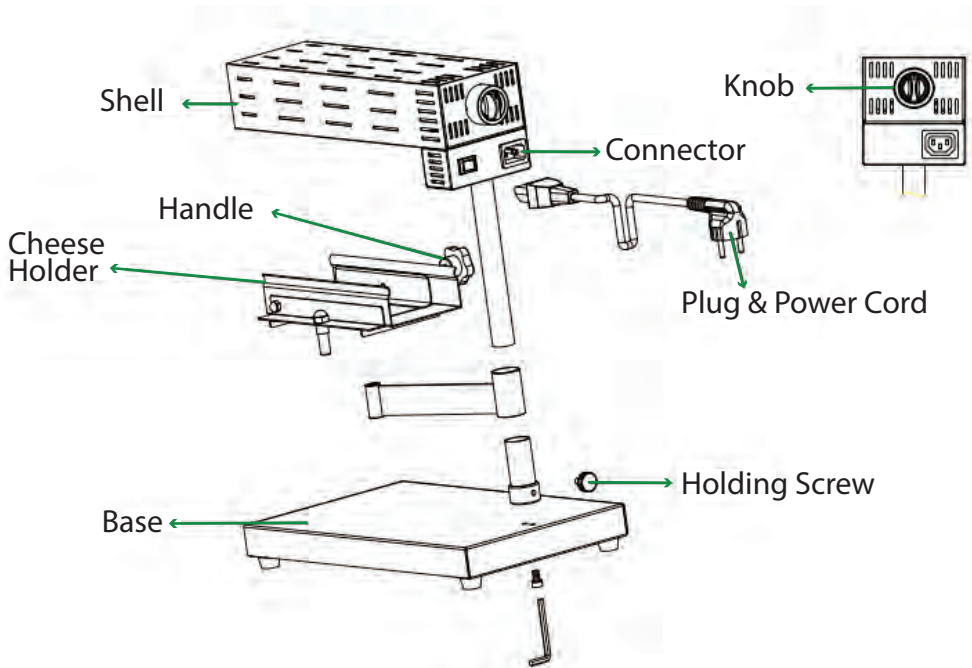
23. To avoid scalds, please do not move the all handle parts under the heater when using.

24.  **WARNING:** The surfaces are liable to get hot during use.

*** Note:**

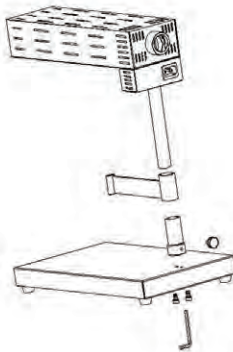
If the supply cord is damaged, it must be replaced by the manufacturer or its service agent or similar qualified person in order to avoid a hazard.

PRODUCT IMAGE :



Before first use

1. Install parts according to instruction, please use exclusive hex wrench install the base as as shown in the figure below.



2. Before using for the first time, operate the appliance for 10 minutes without any food. This in order to remove the “new” scent. A small amount of smoke may also be noticeable. Ventilate the room during this period.

How to Use

1. First, do not turn **ON** the power.
2. Move out cheese holder,fix the cheese on the cheese holder, then move the cheese holder under the electric heater,now you can power on the appliances.
3. You can move up and down the cheese rack to adjust melting temperature. It can also be controlled by the thermostat temperature.
4. After fixing the cheese and adjusted the height, you can turn **ON** the switch to operate.
5. Grilling time depends on the user’s preference.
6. Please cut down the cheese after reaching the requirement.

Clean & Care

- Before cleaning the appliance, always make sure that the plug has been removed from the supply socket. Allow the appliance to cool down before cleaning.
- Cheese holder and grill plate can be disassembled. You can clean the exterior with a damp cloth and dry afterwards. Never immerse the appliance in water. Do not use abrasive cleaners, these can cause damage to the material.



- Do not dispose of electrical appliances as unsorted municipal waste, use separate collection facilities

Warranty

1. In the warranty period, no costs will be charged for wages and material costs. Repairs, which are carried out under warranty, will not extend the warranty period.
2. Defect appliances or parts will automatically become property of the importer.
3. Every claim for warranty will have to be accompanied by a proof of purchase.
4. Claims for warranty can only be honored by the dealer where the appliance has been purchased or by the importer.
5. Warranty is only valid for the first buyer and is not transferable.
6. **Warranty is not valid, for damage caused by:**
 - a. Accidents, misuse, wear and tear or neglect.
 - b. Wrongful installation, and/or use in a way contrary to the holding laws, technical standards or safety standards.
 - c. Connection to another voltage than indicated on the rating plate.
 - d. Unauthorised modifications.
 - e. Unauthorised repairs.
 - f. Improper packaging of the returned goods.
7. **Claims cannot be made in case of:**
 - a. Losses during transport.
 - b. Removal or modification of the rating plate.
8. Excluded from warranty are electrical cords, lamps and glass parts.
9. This warranty does not give a right to claim damages other than replacement or repair of defective parts. The importer can never be held responsible for damages or any other inconveniences caused by appliances, which are delivered by him.
10. Costs of transportation, packaging and freight insurance are always for the buyer's own account.
11. This appliance is not suitable for professional use.

Service centre

If the product doesn't function properly, please contact your dealer or an authorised service centre.

PKCHMT18

Cheese Raclette - Electric Cheese Warmer/Melter with Adjustable Temperature Control

Features:

- Convenient Electric Cheese Melter
- Prepare Your Food with Traditional Swiss-Style
- Angle Adjustable Grilling Plate for Cheese Placement
- High-Powered Heating Element
- Simple Operation & Plug-in Design
- Adjustable Temperature Controls
- Disassembles for Storage
- Stainless Steel & Stain-Resistant Construction
- Safe for Placement on Any Kitchen Counter or Tabletop

What's in the Box:

- Cheese Raclette
- Power cord

Technical Specs:

- High-Powered Heating Element: 1000 Watt
- Adjustable Temperature Controls: 86- 1112 °F
- Power Cord Length: 68.9' ft.
- Power: 120V
- Dimensions (L x W H): 14.0" x 8.07" x 14.8" -inches
- Sold as: 1

nutrichef

by **PYLE**



VISIT US ONLINE:

Have a question?

Need service or repair?

Want to leave a comment?

PyleUSA.com/ContactUs

PYLE