

nutri**che**f

*PKCWC*

*Compressor Wine Cooler*



***Wine Chilling Refrigerator***

**USER MANUAL**

CLASSIC GLASS DOOR SERIES		STAINLESS STEEL DOOR SERIES	
PKCWC120	12 bottles	PKCWC12	12 bottles
PKCWC150	15 bottles	PKCWC15	15 bottles
PKCWC180	18 bottles	PKCWC18	18 bottles
PKCWCDS188	18 bottles (Dual-Zone)	PKCWCDS185	18 bottles (Dual-Zone)
PKCWC240	24 bottles (Dual-Zone)	PKCWC24	24 bottles (Dual-Zone)

## CONTENTS

I. IMPORTANT SAFETY INSTRUCTIONS .....	2
II. PARTS DIAGRAM .....	3
INSTALLING THE STAINLESS STEEL HANDLE .....	5
III. TEMPERATURE CONTROL .....	6
IV. ELECTRIC DIAGRAM .....	8
V. INSTRUCTION .....	9
VI. VENTILATION .....	9
VII. CLEANING .....	9
VIII. TROUBLESHOOTING .....	10

*Please read all instructions carefully and follow all guidelines and rules for optimum performance and proper appliance usage.*

### I. IMPORTANT SAFETY INSTRUCTIONS

#### WARNING

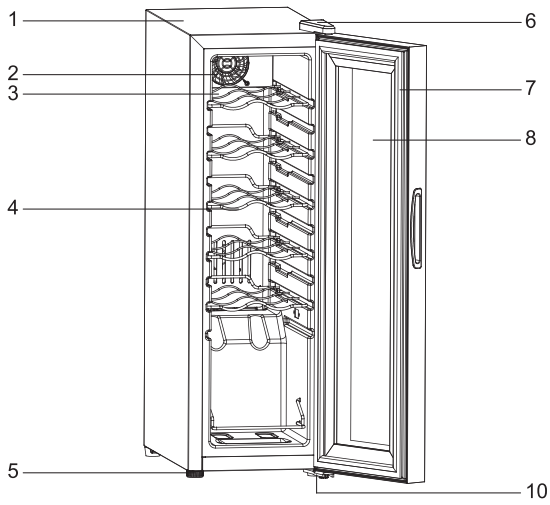
To reduce the risk of fire, electrical shock, or injury when using your appliance, follow these basic precautions

- Read all instructions before using the Cooler.
- **DANGER or WARNING:** Risk of child entrapment.  
Child entrapment and suffocation are not problems of the past. Junked or abandoned appliances are still dangerous even if they will “just sit in the garage a few days”.
- Before you throw away your old Cooler: Take off the door. Leave the shelves in place so that children may not easily climb inside.
- Never allow children to operate, play with, or crawl inside the appliance.
- Never clean appliance parts with flammable fluids. The fumes can create a fire hazard or explosion.
- Do not store or use gasoline or any other flammable vapors and liquids in the vicinity of this or any other appliance. The fumes can create a fire hazard or explosion.
- Do not repair or replace any part of the Cooler or attempt any servicing unless specifically recommended in the user-maintenance instructions or in published user-repair instructions.  
Replace the fuse with the same type.

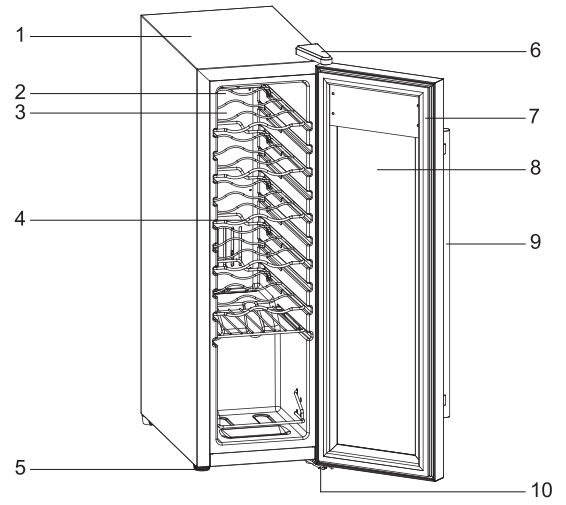
**-Save these instructions-**

## II. PARTS DIAGRAM

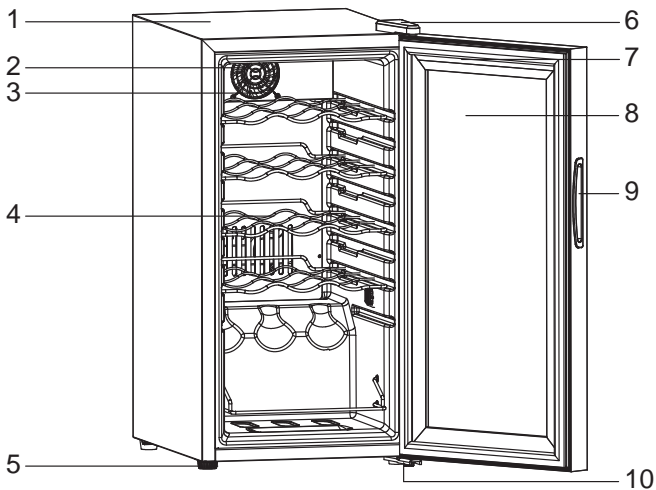
• **Model No: PKCWC120**



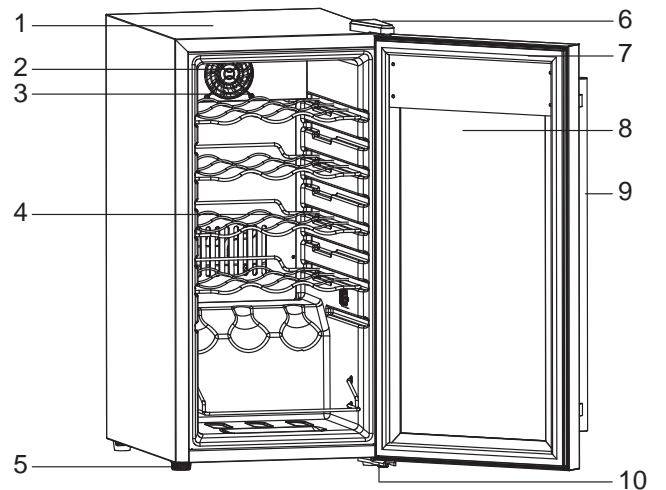
• **Model No: PKCWC12**



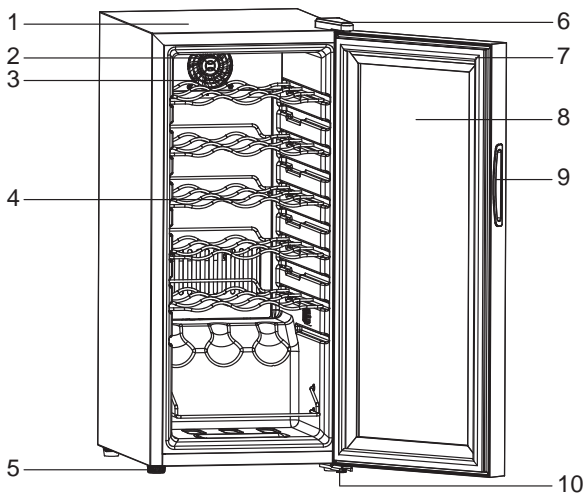
• **Model No: PKCWC150**



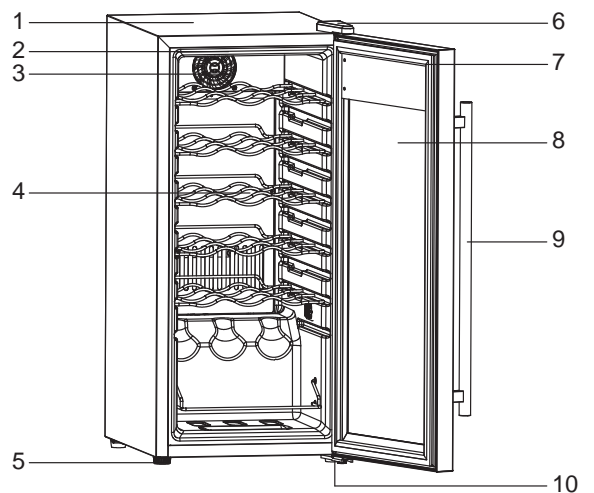
• **Model No: PKCWC15**



• **Model No: PKCWC180**

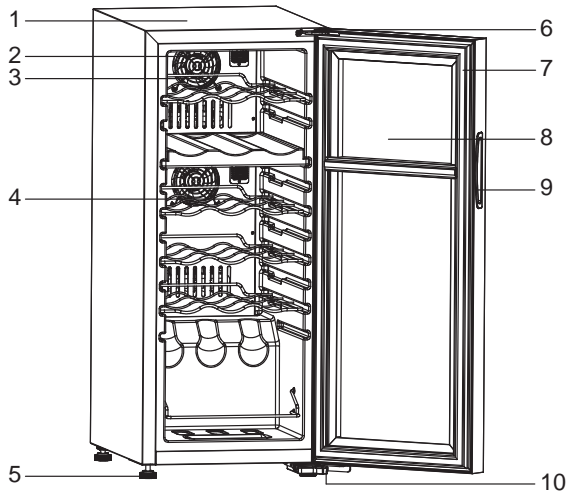


• **Model No: PKCWC18**

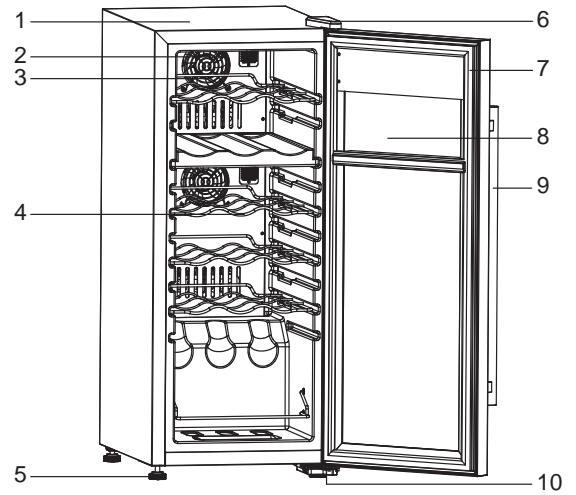


## II. PARTS DIAGRAM

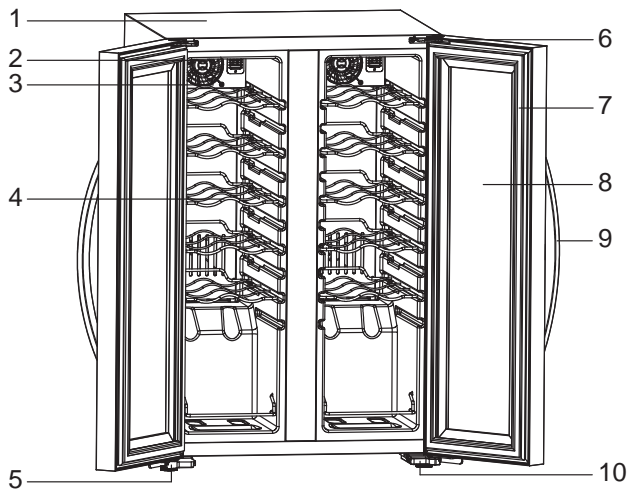
- **Model No: PKCWCD5188**



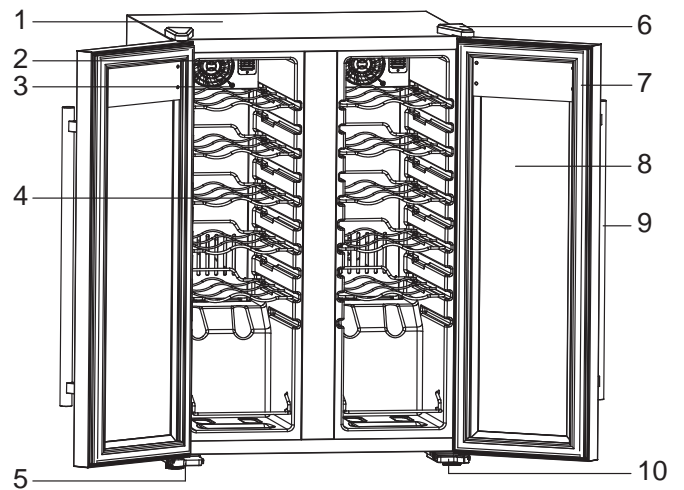
- **Model No: PKCWCD5185**



- **Model No: PKCWC150**



- **Model No: PKCWC15**



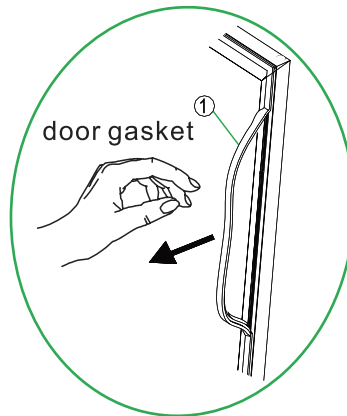
- |              |                           |
|--------------|---------------------------|
| 1. Cabinet   | 6. Upper Hinge            |
| 2. Fan       | 7. Door Gasket            |
| 3. Fan Cover | 8. Glass Door             |
| 4. Shelves   | 9. Stainless Steel Handle |
| 5. Foot      | 10. Bottom Hinge          |

## INSTALLING THE STAINLESS STEEL HANDLE

*For PKCWC12, PKCWC15 Models only*

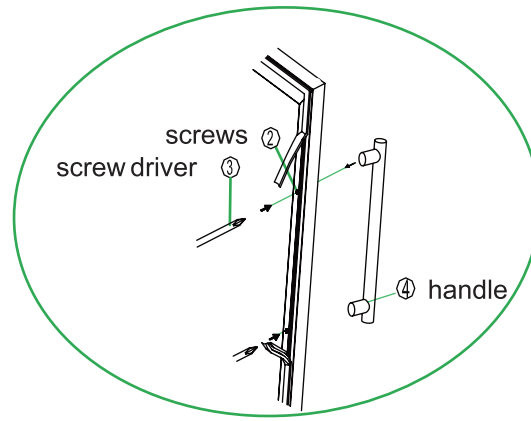
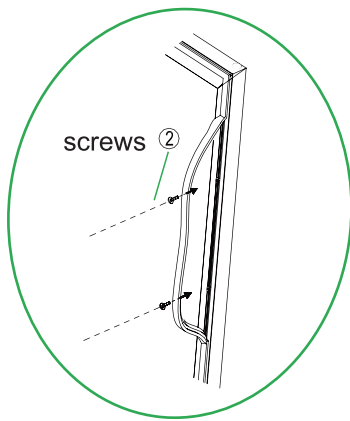
*This wine cellar includes a stainless steel handle. To install the handle please follow the below instructions:*

1. Pull away the door gasket in the area where the handle is to be installed on the left side as shown below in illustration #1. The gasket can easily be displaced by hand, no tools are necessary.



2. Align the handle with the screws installed. Tighten the screws using a Phillips head screwdriver until the handle sets both flush and secured tightly against the door frame.

**(DO NOT over tighten as this will cause damage to the handle assembly).**



3. Replace the door gasket to its original position.



1. Gasket	2. Phillips Head Screw Driver
3. Phillips Head Screw	4. Handle

### III. TEMPERATURE CONTROL

- It is recommended that the wine cooler should be installed in an area where the ambient temperature is between 16-26°C (60-80°F).
- If the ambient temperature is above or below the recommended ranges, the unit's performance may be affected, and extreme cold or hot conditions may cause the interior temperature to fluctuate. This will prevent the optimal range from being reached. In addition, keep in mind that the temperature may fluctuate depending on whether the interior light is on or off, and whether the bottles are located on the upper, middle, or lower racks.

#### RECOMMENDED TEMPERATURES FOR CHILLING WINE


RED WINES	14 - 18°C	57- 65°F
DRY/WHITE WINES	9 - 14°C	49- 58°F
ROSE WINES	10 - 11°C	51- 53°F

#### TEMPERATURE RANGES FOR YOUR WINE COOLER

PKCWC12/PKCWC120	5 - 18°C	41 - 64°F
PKCWC15/PKCWC150	5 - 18°C	41 - 64°F
PKCWC18/PKCWC180	5 - 18°C	41 - 64°F
PKCWCDS188	5 - 18°C (Upper Zone)	41 - 64°F (Upper Zone)
PKCWCDS185	5 - 18°C (Lower Zone)	41 - 64°F (Lower Zone)
PKCWC24	5 - 18°C (Left Zone)	41 - 64°F (Left Zone)
PKCWC240	5 - 18°C (Right Zone)	41 - 64°F (Right Zone)

#### ● CONTROL PANEL








For PKCWC12 / PKCWC120 / PKCWC15 / PKCWC150 / PKCWC18 / PKCWC180 / PKCWC24 / PKCWC240 Models only.

- You can select temperature display between Fahrenheit and Celsius setting by pressing this button 
- You can turn the interior light ON or OFF by short pressing this button.




#### SETTING THE TEMPERATURE CONTROL

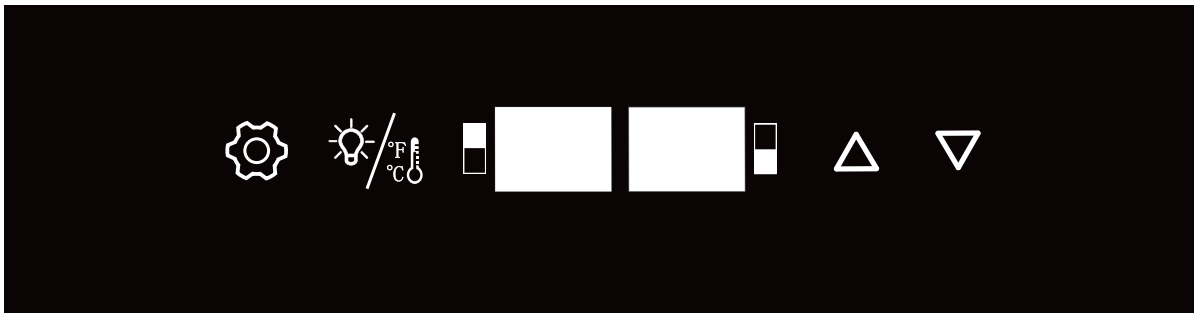
- Your cooler is equipped with a control panel lock feature which will lock itself automatically 20 seconds after the last time a button is pressed.

- Press the  button to unlock the control panel. You will hear a “BEEP” sound to alert you that the control is now active.
- You can manually adjust the temperature inside Cooler by pressing the buttons  and  on the display panel.  
The two buttons on the panel  and  adjust the temperature in increments of 1°C or 1°F
- You can also turn the interior light on or off by pressing the “ ” button.
- The light will be turned OFF automatically if it remains ON for 10 minutes. You have to push the “ ”









## ● CONTROL PANEL

For PKCWCD5188 / PKCWCD5185 Models only.

-  You can select temperature display between Fahrenheit and Celsius setting by pressing this button
- You can turn the interior light ON or OFF by short pressing this button.

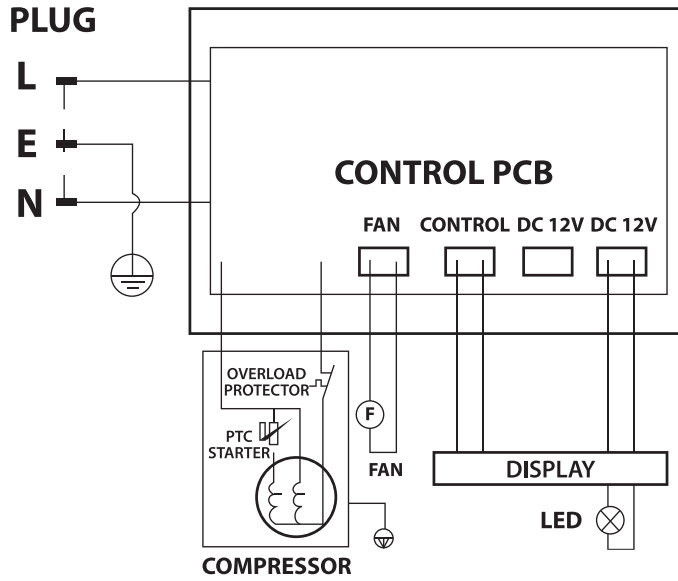


## SETTING THE TEMPERATURE CONTROL

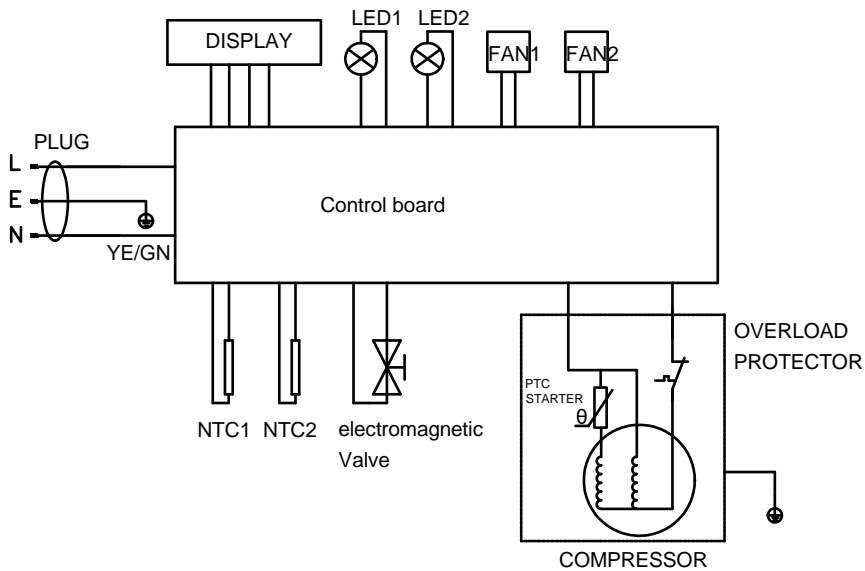
- Your cooler is equipped with a control panel lock feature which will lock itself automatically 20 seconds after the last time a button is pressed.
- Press the  button to unlock the control panel. You will hear a “BEEP” sound to alert you that the control is now active.
- Press the  button shortly to select and switch the lower zone and switch upper zone for temperature setting. The digital flash will be displayed in setting temperature.
- You can manually adjust the temperature inside Cooler by pressing the buttons  and  on the display panel.  
The two buttons on the panel  and  adjust the temperature in increments of 1°C or 1°F
- You can also turn the interior light on or off by pressing the “ ” button.
- The light will be turned OFF automatically if it remains ON for 10 minutes. You have to push the “ ”

## IV. ELECTRIC DIAGRAM

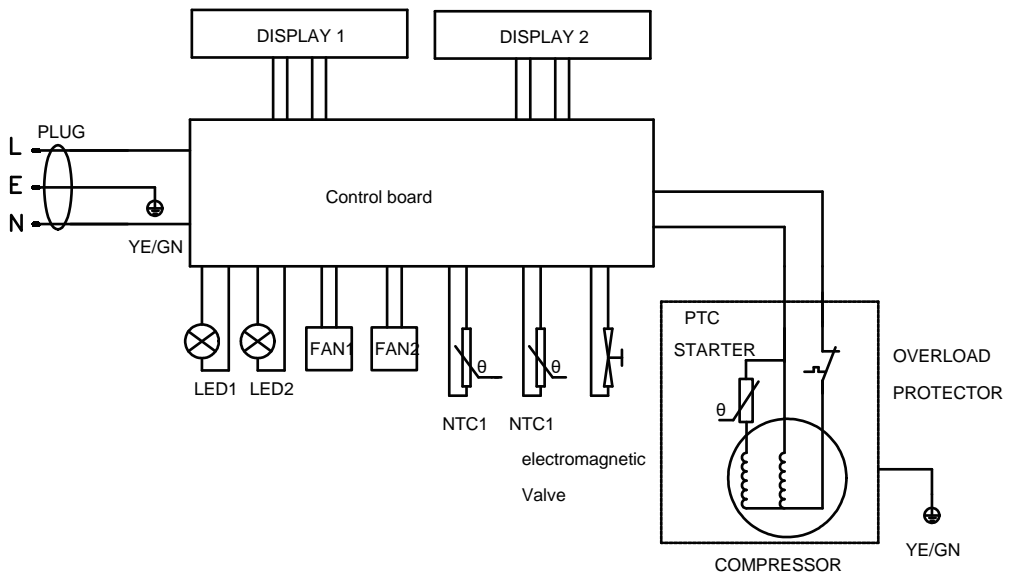
*(For PKWC120, PKWC150, PKWC180, PKWC12, PKWC15, PKWC18 only)*



*(For PKWCDS188, PKWCDS185 only)*



*(For PKWC240, PKWC24 only)*





## V. INSTRUCTION

### Note:

- Position your wine cooler so that the plug is accessible
- Keep your wine cooler out of direct sunlight.
- Do not place next to heat generating appliance.
- Place the wine cooler on a leveled surface that is strong enough to support the unit when it is fully loaded. To level your wine cooler, adjust the front feet located at the bottom of the unit.

### Important:

- Position the cooler in a dry and airy place with ambient temperature between 5-32°C (41-90°F).
- Before connecting the unit to a power source, allow it stand upright for approximately 2 hours. This will reduce the possibility of any system malfunctions which may have occurred from handling during transportation.
- When positioning the wine cooler, 6 inches of space at the back and 10 inches of space both sides are suggested. Do not put any objects on top of the unit which may block the air circulation.

### Power Connection:

- This wine cooler should be properly grounded for your safety and in order to minimize the possibility of electrical shock, the power cord of this unit is equipped with a 3-pin plug which fits with 3-pin wall outlets.
- Never cut or remove the ground wire from the supplied power cord.
- The use of extension cords is not recommended.
- This unit requires a standard 110V-60Hz electrical outlet with a 3-pin plug.
- The cord should be secured behind the wine cooler. Also, to prevent accidental injury, do not expose or dangle the cord.

## VI. VENTILATION

- Do not install the wine cooler in a closed cabinet without proper ventilation.
- Please leave at least 6 inches distance between the wall and the wine cooler.
- Do not remove the feet of the wine cooler. Keep at least 50mm of ground clearance.

## VII. CLEANING

- UNPLUG the Wine Chiller, and remove all items including shelves.
- Wash the inside surfaces with a warm water and baking soda solution. The solution should be about 2 tablespoons of baking soda to a quart of water.
- Wash the shelves with a mild detergent solution.
- Wring excess water out of the sponge or cloth when cleaning area of the controls, or any electrical parts.
- Wash the outside cabinet with warm water and mild liquid detergent. Rinse well and wipe dry with a clean soft cloth.

## VIII. TROUBLE SHOOTING

PROBLEM	POSSIBLE CAUSES AND MAINTENANCE MEASURES
The wine cooler will not operate	<ul style="list-style-type: none"> <li>● The unit may be plugged in using a different voltage. Also, the circuit breaker may be tripped or there is a blown fuse.</li> </ul>
The wine cooler is not cold enough	<ul style="list-style-type: none"> <li>● Check the temperature control settings, as the external environment may be too hot and affect the cooling capacity. The most ideal ambient temperature for compressor cooling wine cooler is 5C-32C (41F-90F).</li> <li>● The door may be opened too frequently.</li> <li>● The door is not closed completely.</li> <li>● The door seal does not seal properly.</li> <li>● The wine cooler does not have sufficient clearance, as it will affect the heat dissipation. Please make sure there is nothing near Heat sink fan on the back within 10cm area.</li> <li>● The wine cooler includes too much items, as the IT need some time to cool down and remain stable. Please wait for 24h and check again.</li> </ul>
The wine cooler vibrates while operating	<ul style="list-style-type: none"> <li>● Make sure the unit is leveled. Please adjust the foot if necessary</li> </ul>
The wine cooler produces a lot of noise	<ul style="list-style-type: none"> <li>● The unit may not be leveled.</li> <li>● Check the fan, as noise will increasing if your wine cooler have much dust on the fan after using for a long time. Please use hair dryer and set strong position to blow away dust on the fan.</li> </ul>
The wine cooler will not close properly	<ul style="list-style-type: none"> <li>● The unit may not be leveled.</li> <li>● The doors are reversed and not properly installed.</li> <li>● The seal is weak.</li> </ul>
The LED display does not work	<ul style="list-style-type: none"> <li>● There may be a problem with the main control board.</li> <li>● There is a problem with the plug. Please check to assure plug is be in good connection with socket or already plugged in.</li> <li>● The digital control panel will lock automatically after 10 seconds if no further operation Please press the unlock button to activate the wine cooler.</li> </ul>
There is an LED display error	<ul style="list-style-type: none"> <li>● There is a PCB problem.</li> </ul>
The buttons do not function	<ul style="list-style-type: none"> <li>● The temperature control panel may be damaged.</li> </ul>
Frost or ice developed inside the wine cooler	<ul style="list-style-type: none"> <li>● Ambient temperature too low.</li> <li>● The wine cooler needed to be restarted</li> </ul>

### Questions? Issues?

We are here to help!

Phone: (1) 718-535-1800

Email: [support@pyleusa.com](mailto:support@pyleusa.com)



WARNING:

This product can expose you to a chemical or group of chemicals, which may include "Styrene" which is known in the state of California to cause cancer, birth defects, or other reproductive harm. For more info, go to <https://www.p65warnings.ca.gov/>.



nutrichef

