

nutrichef
by **PYLE**



PKFNMK25

Electric Melting Pot

Fondue Maker with Dipping Forks,
Stainless Steel

USER MANUAL

Please read this instruction manual carefully before use and keep in a safe place for future reference.

• Product Introduction

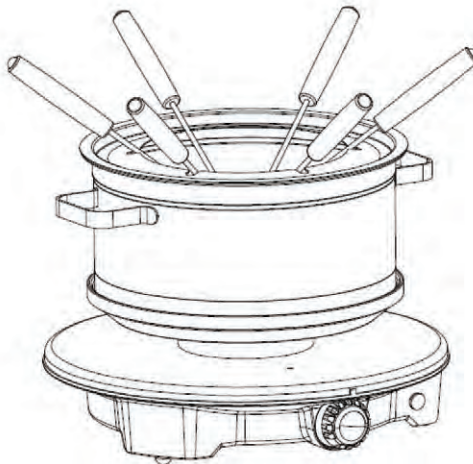
Please read through this booklet for safe and efficient use of the appliance. We urge you to read also follow all detailed instructions even if you are familiar with a similar appliance.

This new device incorporates the following features for your convenience.

Preparation Before Use:

- Use the electrical socket with rated current of 10A or over. Do not share the same electrical socket with other high powered electrical appliance at the same time.
- Make sure that the knob is in “**OFF**” position before plugging in. Check that the supply voltage is **120V~60Hz**.
- Close supervision by an adult is extremely necessary when this appliance is used by or near children or invalids.
- Put water and/or food in the bowl and make sure that the total amount of water and /or food should not exceed 80% of the capacity to avoid overflowing.
- This appliance is for melting cheese, chocolate and warming or heating sauces and for grilling or frying foods.

• Schematic diagram of the product



OPERATION

- Put the pot or roasting pan onto the heating plate and make sure the bottom fully contacts with the heating plate.
- Turn the knob to “4” position and the indicator light turns **ON**. The unit starts to work.
- It is normal that the indicator light may cycle off and on due to the thermostatic control. This cycling controls the temperature of the pot until the food is well cooked.
- Please turn the knob to “0” position after use to turn **OFF** the power and the indicator light turns off.

Safety Cautions

- Put the appliance on a stable and heat-resistant surface for use.
- Please do not put the appliance on a flammable or explosive surface (such as wooden, plastic or glass surface) or near the corner of the wall.
- Please do not put the cord under the carpet, blankets. Always keep the power cable away from walkway in room.
- Never try to touch, clean or move the metal parts before the appliance is completely cooled down to avoid being burned. Only move the appliance by using the handle.
- Please do not use an extended power cord or a power socket with rated current less than 10A.
- To prevent the risk of electric shock, do not use the set with broken power cord or broken plug. Never try to repair the cable or plug by yourself. Please take the damaged set to your local authorized maintenance center.
- Turn the knob to “0” position before plugging or unplugging the unit.
- Appliances are not intended to be operated by means of an external timer or separate remote-control system.
- This appliance is not intended for use by persons (including children) with reduced physical, sensory or mental capabilities, or lack of experience and knowledge, unless they have been given supervision or instruction concerning use of the appliance by a person responsible for their safety.

- Always engage a recognized, trained service engineer if the appliance or the cable is damaged, malfunctions have occurred and/or the appliance requires repairs.
- To prevent the risk of electric shock, do not use the set with broken power cord or broken plug. All repair works must be made by a professional (authorized distributor). Never try to repair the cord or plug by yourself. Please take the damaged set to your local authorized maintenance center for repairing or change.
- Do not try to repair the broken fuse by yourself, the user should take the set to your local authorized maintenance center to replace it with the new one.

Cleaning and Maintenance

- Never try to touch the hot surface of this appliance before it is completely cooled down.
- Please do not immerse the body to any liquids.
- Clean the appliance with the mild cleaner or gel-like cleaner by using soft cloth. Please do not use hard brushes, scratchy materials and/or alcohol, petrol or any organic cleaner for the cleaning purpose to protect the nonstick coating.
- It is normal if a smell of smoke coming from the surface of the heating element when using this appliance for the first time.
- Please do not operate the appliance without cooking or boiling anything as it will shorten the life of the product.
- Please do not use other pots or roasting pans and only use the original packed accessories to get best cooking or boiling effects.
- Keep the bottom of the pot or roasting pan dry and without foreign matters before they are put onto the heating plate.
- It is normal if the metal parts become yellowish after long-time use.

PKFNMK25
Electric Melting Pot
Fondue Maker with Dipping Forks, Stainless Steel

Features:

- Turn-it-On and Dip-it-In!
- Simple Electric Plug-in Design
- Compact & Convenient Fondue Food Melting
- Adjustable Rotary Temperature Control
- High-Powered Heating Element
- Removable Cooking / Serving Bowl
- Non-Stick & Heat-Resistant
- Convenient Cool-Touch Handles
- Power LED Indicator Light
- Dipping Forks Included
- Safe Placement on Any Kitchen Table or Countertop
- Perfect for Cheese, Chocolate & More!

What's in the Box:

- Fondue Cooktop
- Stainless Steel Bowl
- Utensil Lid Bowl Cover
- (6) Dipping Forks

Technical Specifications:

- High Powered Heating Element: 1000 Watt
- Construction Material: Stainless Steel Pot
- Cooking Bowl Capacity: 1+ Quart
- Cooking Bowl Diameter: 6' -inches
- Power Cord Length: 3.3' ft.
- Power: 120V
- Dimensions (L x W x H): 10.1" x 8.9" x 6.6" -inches

nutrichef

by **PYLE**



VISIT US ONLINE:

Have a question?

Need service or repair?

Want to leave a comment?

PyleUSA.com/ContactUs

PYLE