

CHAPTER VI FAILURE ANALYSIS AND TROUBLESHOOTING

MALFUNCTION	CAUSE	SOLUTION
DOES NOT WORK	Plugged out	Check power plug
	Power Switch is off	Turn Power Switch On
	Damaged cord or plug	Return to maintenance center
INDICATOR LIGHT DOESN'T TURN ON WHEN TURNING ON POWER SWITCH	Switch contact not good	Return to maintenance center
	indicator light broken	Return to maintenance center
	switch no power	Return to maintenance center
	Plug off	Replug
	Line or plug is broken	Return to maintenance center

**Note:** If any of the above failures cannot be eliminated or there is any other failure, please contact the maintenance point or distributor of our company. Any person other than professionals shall not disassemble this product without permission.



USER MANUAL

Thanks for choosing the yogurt maker. Now you can make your own gummy some fruit type at home in a fun and easy way. Make your candies in your flavors, or Use the same process to make gummy vitamins and energy chews!

**Please read through the Instructions before use and keep it properly. If there is any difference between the product and the pictures herein, the product shall govern.**

(The technical specifications in the instructions are subject to change without notice)

**Thanks for choosing the yogurt maker produced by Ningbo Scarlett Electrical Technology Co., Ltd. For your correct application of this product, please read through the Instructions before use. Please read Chapter I "Safety Precautions" carefully and pay special attention to words in bold type.**

Contents

Chapter I Safety Precautions	3
Chapter II Components and Functions	4
Chapter III Usage and Recipes	5 - 6
Chapter IV Cleaning and Maintenance	7
Chapter V Safety Indicators	7
Chapter VI Failure Analysis and Troubleshooting	8

CHAPTER IV CLEANING AND MAINTENANCE

**WARNING: Metal and plastic around heating zone will be very hot.**

1. Disconnect from the electrical outlet by unplugging the appliance before cleaning.
2. Please clean the product in time after using.
3. Turn off the power, pull out the plug. Allow to cool for 20 minutes at least before cleaning. Do not touch before cool.
4. Remove all parts from heated base.
5. Dispose of any remaining mixture by emptying into a bag or trash receptacle.
6. It is not recommended that you pour the leftover mixture down the sink.
7. Hand wash pot, molds and bracket in warm, soapy water with a non-abrasive cloth.
8. Dry parts thoroughly with a soft, non-abrasive cloth.
9. Dry the base with soft, non-abrasive cloth, make sure no water get in the base.
10. DO NOT put any parts in a dishwasher, except for the silicone molds. The silicone molds may be washed in the dishwasher if you wish.
11. NEVER immerse heated base or cord in water.
12. This product should be stored in a dry place and avoid direct exposure to ultraviolet light.
13. Make sure that product is clean and dry before storage
14. This warranty is good for one year after the date of the purchase of the product.
15. Guarantee only for the purchase of a product to buy the signature and seal of the guarantee card.
16. Do not disassemble it by yourself, it may cause the invalidation of product guarantee.

CHAPTER V SAFETY INDICATORS

Product Model:	PKGCM12
Rated Power:	45 Watts
Rated Voltage:	120V~ 50/60Hz
Reference Standard:	GB4706.1 GB4706.14
Continuous Operating Time:	4 Hours
Interval:	1 Hour

Recipes

Making sweet or sour gummy creatures is easy and fun for the whole family! In addition to traditional gummy candies, you can also make your own nutritious gummy vitamins or energy-boosting gummies with electrolytes!

**NOTE:** The capacity of pot is approximately 240ml.

Basic Operation

Flip knob between the best choice positions.

- 1/2cup cold water. Mix flavored and unflavored gelatin in pot.
- 1 packet flavored gelatin (3 oz.) Add cold water and stir, then flip the "on" button on. 4 packets unflavored, gelatin (1 full box) the heated base and stir until mixture is runny. Carefully pour mixture into molds and let chill.

**Note:** For sour gummies, add 1/2 packet of flavored drink mix to dry gelatin mix.

VITAMIN GUMMIES

- 4 packets unflavored, 1 packet gelatin , Flip knob between the best choice position and allow to heat ahead.
- 1/2 c juice, whisk together the juice, honey and gelatin in pot.
- 2 Tbsp honey (optional). Continue to heat and stir until mixture is runny.
- Vitamin of your choice, (vitamin c, multi vitamins, probiotics, magnesium, etc.) Remove from heat and stir in the amount of vitamins of your choosing. Carefully pour mixture into molds and let chill.

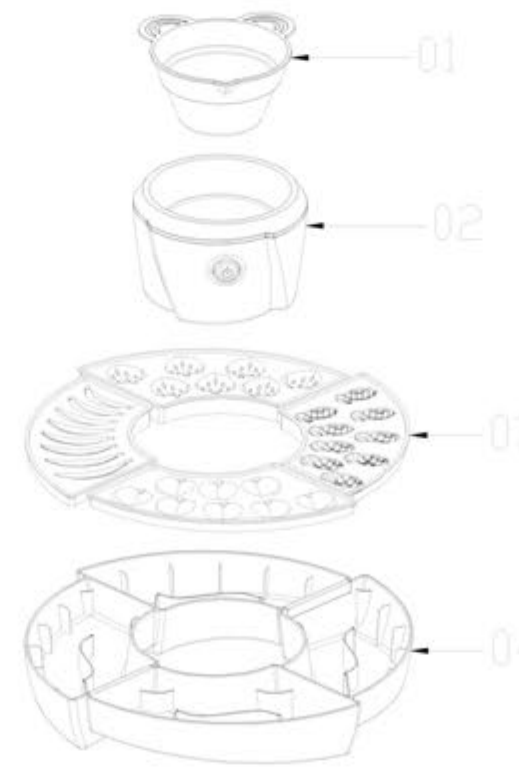
ENERGY GEL CHEWS

- 4 packets unflavored , Flip knob between the best choice position. 1 packet gelatin, heat ahead.
- 1/2 cup energy drink, Whisk together the energy drink and gelatin in pot.
- Vitamin of your choice, (vitamin c, multi vitamins, probiotics, magnesium, etc.) Continue to heat and stir until mixture is runny Remove from heat and stir in the amount of vitamins per day you wish to use times. Carefully pour mixture into molds and let chill.

CHAPTER I SAFETY PRECAUTIONS

- During use of this electrical appliance, the following basic safety measures shall be abided by.
- The input voltage of this product is AC120V,50/60Hz 30W. Please confirm the supply voltage before use.
- If this product should be repaired, please contact the Customer Service Department of our company, or send it directly to any of the maintenance points designated by our company for repair. Do not disassemble it by yourself as it may cause some danger.
- Power supply must be cut off before removing, mounting or calibrating any component of the product.
- Before use, please check whether power cord, plug or any other part is damaged. If damaged, do not use this product, and find a professional to replace the damaged part. Do not disassemble it by yourself for repair as it may cause some danger.
- When using the appliance, do not touch the hot surface. As to avoid burn wait at least 20 minutes unit it cools down before touching the unit.
- Do not place the main body of this product into water or any other fluid, or wash it in water or other fluid.
- Do not wash any component of this product in dishwasher
- Do not use this product near water
- Do not place rough sponge or fabric on this product.
- Do not place this product near heat source
- Do not use the wall socket, power cord or outlet with lower rated voltage, in order to prevent electrical leakage from causing a fire.
- This product shall not be used for any purpose other than those specified in the Instructions.
- The plug shall be removed if this product is put away or any part of this product will be washed.
- Extension or removable power cord is not recommended
- If extension or removable power cord is used, 1) the rated power marked on the power cord shall not be lower than that of this product; 2) extension cord must be placed securely, and not be suspended on a table or cabinet as it may hold or trip children.
- This product must be moved carefully if there is any food inside. In case of burn.
- This product shall be kept away from children, and not be used by any person that suffers from physical disability, sensory or mental disorder or lack of required experience or knowledge (including children).
- This product is only applicable to use at home.
- Never leave appliance unattended while in use.
- Do not touch this product with wet hands during use, and not move it when it is electrified.
- Do not make water drop fall onto the switch or power cord, as it may reduce the performance of insulation, or cause arcing, short-circuit, electric leakage or other danger.
- Please remove the plug from the socket immediately after use, in order to prevent any accident.
- The supply voltage shall match with the voltage required by this product, and the socket shall not be shared with other electrical appliances.
- This product is not a toy, so it shall not be used by children or mentally retarded people alone.
- If a child stands nearby during use of this product, it shall not be used. This product shall not be used by a child alone, as it may scald the child. This product shall not be placed near any baby.
- This product shall not be heated without water for a long time.
- Alcohol, gasoline, banana oil and other flammable objects shall not be placed inside the inner bucket.
- The wares in this product shall not operate when it is connected to external timer or independent remote control system.
- Before using, disinfect pot and molds with boiling water.

CHAPTER II COMPONENTS AND FUNCTIONS



NO.	COMPONENT	FUNCTION
1	Pot	Melt Food
2	Host	Heat Food
3	Silicone Molds	Gummy Candy Mode
4	Base	Fix Silicon Mode

CHAPTER III USAGE AND RECIPES

**INSTALL:** Make sure that the product is not connected to the power

Warning

**If the power cord is exposed or damaged, it shall not be used and must be replaced by the same power cord. For avoidance of accident, the replacement shall be conducted by a professional or our after-sale service department.**

1. Find a dry, heat-resistant, level surface near an electrical outlet. It must meet the following conditions: the space is higher than the product not less than 100 cm, the space between the back of the appliance and the wall is not less than 25 cm.
2. Before first use, wipe down heated base with a damp, non-abrasive cloth and dry thoroughly. Be very careful to not get any water in the heated base, or unit will not function. Disinfect mold, hold and pot with boiling water and wash with water.
3. Connect the base, put on the level table. Put the host in the middle of the base, with power cable out under the base. Make sure no power before install.
4. Install the silicon mold inside the base. If you want the better cooling effect, you could add some ice water in the base, 3/4 full with ice.
5. Put pot in the base, keep balanced.
6. For first using, disinfect pot and molds with boiling water more than 3 minutes.
7. PTC element featuring automatic temperature control for safety and energy saving. Heating does not produce oil spray and combustion exhaust gas, natural and environmental protection, make every time do the same process effect, give your life convenient and fun. Popular to everyone.

**Place the pot on the heated base. Using your own recipe, or following recipe included in this instruction manual, prepare your gelatin mixture in the heating pot. Be very careful not to over-fill the pot. Do not exceed the 1 pot capacity. Capacity of pot is 240ml, the best choice is seven-eighths of the pot.**

1. Steam may be released from food during cooking. For your safety, avoid contact with steam, as it is very hot and can cause burns.
2. Be careful to watch the pot and stir mixture if necessary. DO NOT let mixture boil over, as this could cause burns.
3. In five to ten minutes, when mixture is runny, carefully pour into the molds through the spout on the pot.
4. When finished filling molds, turn off the switch, unplug the power.
5. In five to 10 minutes, your gummies will have solidified and will be ready to be removed from the silicone molds.
6. Once the appliance is cool, empty remaining gelatin mixture into a bag or trash receptacle and follow the directions in the Cleaning& Maintenance section to clean your machine.

**Warning: NEVER leave the unit unattended while operating.**

For gummy vitamins or energy chews, see recipes section

The ice cubes in the interlocking trays provide the temperature needed for the gelatin mixture to set. To ensure that gummies set quickly, replace ice cubes in the interlocking trays as they melt.