

nutrichef
by **PYLE**



PKPC120

Sous-Vide Immersion Circulator
Precision Cooker

IMPORTANT SAFEGUARDS

When using electrical appliances basic safety precautions should always be followed including the following:

READ ALL INSTRUCTIONS CAREFULLY BEFORE USE



- Do not touch the hot surface and water. Use handles or knobs. Use this circulator for only intended use of food preparation.
- To protect against electrical shock do not immerse cord, plugs, entire unit in water or other liquid.
Do not use extension cord with circulator, use grounded power sources only.
To avoid the possibility of personal injury, always unplug the circulator from the electrical outlet before handling or cleaning. For indoor use only, do not use outdoor.
- Close supervision is necessary when any appliance is used by or near children. Do not allow children to use the appliance.
- Unplug from outlet when not in use and before cleaning. Allow to cool down before putting on or taking off parts.
- Do not operate any appliance with a damaged cord or plug or after the appliance malfunctions or has been damaged in any manner. Return appliance to the nearest authorized service facility for examination, repair, or adjustment.
- The use of accessory attachments not recommended by manufacturer may cause injuries.
- Do not let the power cord to hang over the edge of a table, counter, or touch hot surfaces.
- Do not place on or near a hot gas or electric burner, or in a heated oven.

SAVE THESE INSTRUCTIONS

- **DO NOT** use an extension cord with this product.
- Operate appliance in water only. Keep the water level between the “Min” and “Max” levels indicated. Do not use appliance for other than intended purposes.
- Keep the appliance dry. Never operate the appliance unless the water level is between the indicated “Min” and “Max” levels. Only the heater and circulator portion should be underwater. Do not immerse the appliance cord, power box, or upper portion of appliance. If the appliance or any of its parts become submerged, unplug appliance immediately and contact us.
- Unplug the appliance before moving it, when cleaning, and generally when not in use. Allow appliance to cool down before lifting or storing.
- Use the appliance in a safe indoor environment. Do not use outdoors. Do not use near explosive or flammable materials. Do not use with an extension cord. Close supervision is necessary when the appliance is used by or near children. Do not place on or near a hot gas or electric burner, or in a heated oven.
Note: Appliance is designed for household use only.
- Remember circulated water can be very hot. Use a trivet to protect your countertop from any container being used with appliance. Use tongs to reach anything inside the water bath. Extreme caution must be used when moving containers of hot water.
- **Keep safe.** If the appliance is dropped in water, damaged, malfunctions, or the plug or power cord appears damaged in any way, do not use the appliance. Contact us for repair.

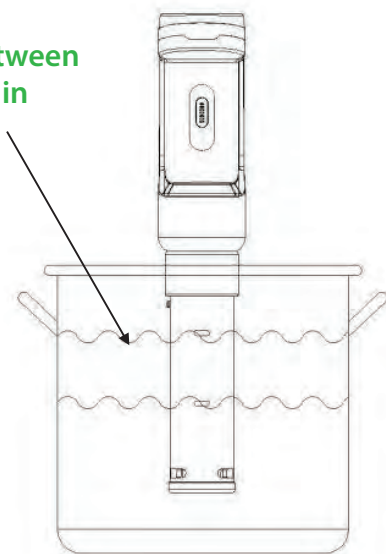
OPERATION

1. Clip the **PKPC120** securely inside any deep heat-proof container without touching the very bottom.



FILL THE CONTAINER WITH WATER. Fill the water container with water using the water level indicator. The water level should be between the min |  | and max |  | indicated on the front of the circulator. As Archimedes taught us, the water level will rise when you add food to the container, so don't fill it up too high.


NOTE: As the water temperature increases, the water will begin to evaporate. The **PKPC120** circulator is equipped with an alarm indicating low water level, if the water level goes below the min mark, the circulator will shut off.

Water level between
max and min



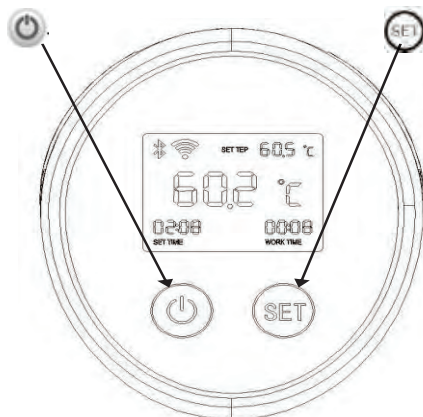
2. Press the power button  on the screen for five seconds.

The first line display will then show the water temperature setting, the second line is the water temperature. The third line shows the set time and work time. Hold the button  and  for two seconds at the same time to change the °C or °F.


Quickly press **SET** one time to set hour. Press **SET** two times to set the minutes. When the hour or minute is flashing on the display, you can turn the  dial to adjust it. The set temp can be adjusted any time except when the display set time is flashing.

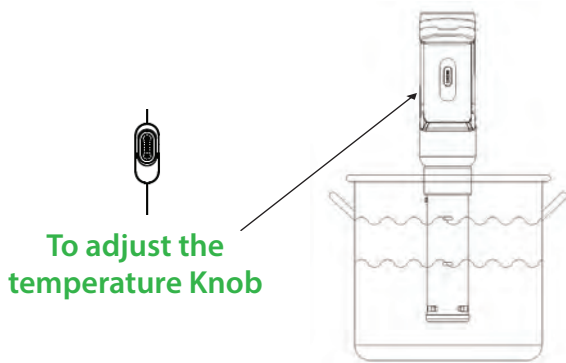
Celsius or Fahrenheit:



Select either °C or °F to measure the temperature.



3. Turn the knob to set the temperature and time.

Turn up  to increase the temperature and time, turn down to decrease. Adjust the time and temperature setting as you turn the knob. Maximum temperature setting is 95°C or 203°F and the maximum time is 00:00 to 59:59.



4. **Cooking your food.** Press and hold the power button one time to begin heating and circulating the water, put the food into the container when the temperature reached your temperature setting
5. **When the water temperature reached the temperature setting.** The appliance will make a sound every three seconds to indicate that you can now immerse your food. Press the "  " for two seconds to cancel the sound. Meanwhile, if you set the time, it will start the work time and displays it after one minute.
6. **When cooking is done.** The time reaches the time setting. The appliance will make a "DDD" sound every three seconds. It means you can now take out the cooked food.
7. **Turn the appliance off.** Appliance should be switched off when cooking is done and when it is not in use. Press and hold the power button  for (5) seconds.

TROUBLESHOOTING

The PKPC120 will not turn on.

- Make sure that the machine is properly plugged into a grounded outlet.
- Check the power cord for tears and frays.
Do not use the machine if the power cord is damage.
- Make sure the power button is on. The LCD display screen is showing the information.

The Led display screen reads error code: E05.

- Make sure the water level is between the MIN and MAX shown on the **PKPC120**. The machine will alarm and turns off when the water level drops below the MIN required for Operation.

- Turn off the machine and keep the right water level.
Restart the machine.

The Led display screen reads error code: E02.

- The digital thermostat is broken. Contact the customer support.

CLEANING

With frequent use, descaling should be done every month or more often in regions with hard water.

- 1: Put the appliance in a pot and fill the pot with water to the "Max" level indicated on the appliance.
- 2: Set the appliance temperature to 70°C or 158°F.
- 3: Add 5g of citric acid powder (Food grade) per liter of water used.
- 4: Allow the water to circulate for 20 minutes when 70°C or 158°F is reached.
- 5: Turn off and unplug the appliance.
- 6: When the appliance is cooled down, rinse the bottom using cold water and dry before storage.

nutrichef

by **PYLE**



VISIT US ONLINE:

Have a question?

Need service or repair?

Want to leave a comment?

PyleUSA.com/ContactUs

PYLE