



## **IMPORTANT SAFETY INSTRUCTIONS**

### **• READ ALL INSTRUCTIONS**

- Use only on AC 230 Volt, 50/60 Hz. Use only for household.
- Do not touch hot surfaces. Use handles or knobs.
- To protect against risk of electric shock, do not immerse the cord, plug or cooking unit in water or any other liquid.
- Close supervision is necessary when any appliance is used by or near children.
- Unplug from outlet when not in use and before cleaning. Allow to cool before putting on or taking off parts, and before cleaning appliance.
- Do not operate any appliance with a damaged has malfunctioned or has been damaged in any manner. In order to avoid the risk of an electric shock, never try to repair the Pizza Maker yourself. Take it to an authorized service station for examination and repair. An incorrect reassembly could present a risk of electric shock when the Pizza Maker is used.
- The use of accessory attachments not recommended by the manufacturer may result in fire, electrical shock, or risk of injury to persons.
- Do not use outdoors or for commercial purposes.
- Do not let power cord hang over the edge of the table or counter, or touch hot surfaces.
- Do not place on or near a hot gas or electric burner or heated oven.
- Unplug the unit when finished using.
- Do not use appliance for other than intended use.
- Do not intend to operate by means of an external timer or separate remote-control system.
- Extreme caution must be exercised when moving an appliance containing hot oil or other hot liquids.
- To disconnect, turn control to OFF setting, then remove plug form wall outlet.

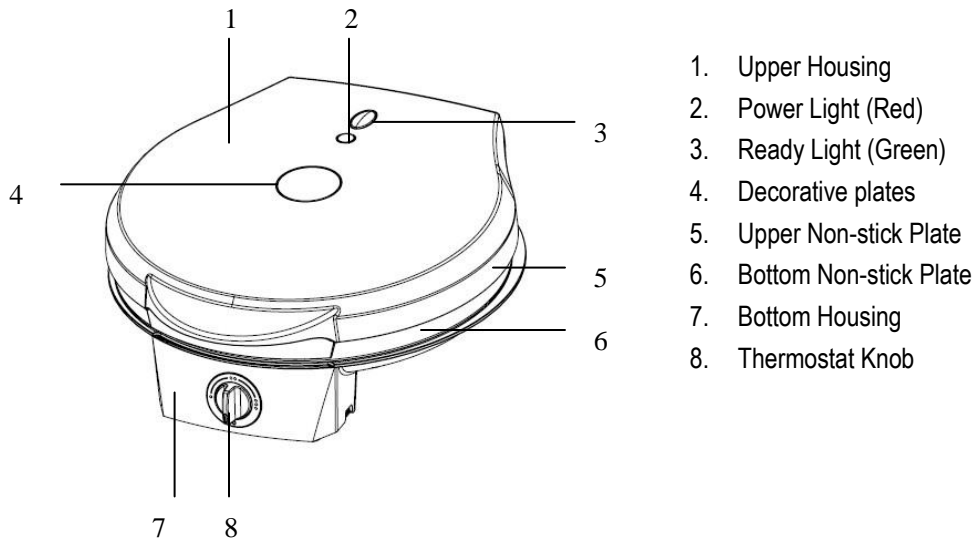
**WARNING: TO REDUCE THE RISK OF FIRE OR ELECTRIC SHOCK, ONLY AUTHORIZED PERSONNEL SHOULD DO REPAIRS.**

## **SAVE THESE INSTRUCTIONS FOR HOUSEHOLD USE ONLY**

### **SPECIAL CORD SET INSTRUCTIONS**

A short power-supply cord is provided to reduce the risks resulting from becoming entangled in or tripping over a longer cord. Longer extension cords are available and may be used if care is exercised in their use. If a long extension cord is used, the marked electrical rating of the extension cord should be at least as great as the electrical rating of the appliance, and the longer should be arranged so that it will not drape over the countertop or tabletop where it can be pulled on by children or animals, or tripped over.

## PARTS IDENTIFICATION



## BEFORE FIRST-TIME USE

- Read all instructions carefully and keep them for future reference.
- Remove all packaging
- Clean the Cooking Plates by wiping a sponge or cloth dampened in warm water.  
**DO NOT IMMERSE THE UNIT AND DO NOT RUN WATER DIRECTLY ONT THE COOKING SURFACES**
- Dry with a cloth or paper towel.
- For best results, lightly coat the cooking plates with a little cooking oil or cooking spray.

**Notice: When your Pizza Maker is heated for the first time, it may emit slight smoke or odor. This is normal with many heating appliances. This does not affect the safety of your appliance.**

## HOW TO USE

Before using the appliance for the first time, peel off any promotional materials and packaging materials, and check that the cooking plates are clean and free of dust. If necessary, wipe over with a damp cloth. For best results, pour a teaspoon of vegetable oil on to the non-stick plates. Spread over with an absorbent kitchen towel and wipe off any excess oil. When your Pizza Maker is heated for the first time, it may emit slight smoke or odor. This is normal with many heating appliances. This does not affect the safety of your appliance.

## PREPARATION

- Pre-heat the Pizza Maker by setting the temperature control to the maximum setting.
- Close the Pizza Maker and plug it into the wall outlet, you will notice that the red power light will go on, indicating that the Pizza Maker has begun preheating. It will take approximately 5 minutes to reach baking temperature. The red power light will remain on until you unplug your Pizza Maker. When the green light goes off, the Pizza Maker is ready for use.

## **CLEANING AND CARE**

- Always unplug the Pizza Maker and allow it to cool before cleaning. The unit is easier to clean when slightly warm. There is no need to disassemble Pizza Maker for cleaning. Never immerse the Pizza Maker in water or place in dishwasher.
- Wipe cooking plates with a soft to remove food residue. For baked on food residue squeeze some warm water mixed with detergent over the food residue then clean with a non abrasive plastic scouring pad or place wet kitchen paper over the grill to moisten the food residue.
- Do not use anything abrasive that can scratch or damage the non-stick coating.
- Do not use metal utensils to remove your foods, they can damage the non-stick surface.
- Wipe the outside of the Pizza Maker with a damp cloth only. Do not clean the outside with any abrasive scouring pad or steel wool, as this will damage the finish. Do not immerse in water or any other liquid.
- Do not place in the dishwasher.
- Remove and empty the drip tray after each use and wash the tray in warm, soapy water.

Avoid the use of scouring pads or harsh detergents as they may damage the surface.

Rinse and dry thoroughly with a clean, soft cloth and replace.

## **STORAGE**

- Always unplug the Pizza Maker before storage.
- Always make sure the Pizza Maker is cool and dry before storing.
- The power cord can be wrapped around the bottom of base for storing.