

PKST2TZ

PYLE
PyleUSA.com

Heavy-Duty Music Stand with 2nd Tier

Z Style and Portable Stand with 2nd Tier, Adjustable Height

USER MANUAL

Features:

- Removable 2nd Tier
- Tilting Angle Adjustment
- Front Bumpers Adjust/Rotate to Accommodate Keyboard's Height
- Independent 2nd Tier Height Adjustable with 8 Line-it-up Adjustment Marks
- Width Adjustment from 21" to 37" Inches
- Holds 55-key Keyboards up to 88-keys at its Maximum Width
- Folds Flat for Storage and Travel



What's in the Box:

- Heavy-Duty Music Stand with 2nd Tier

Technical Specs:

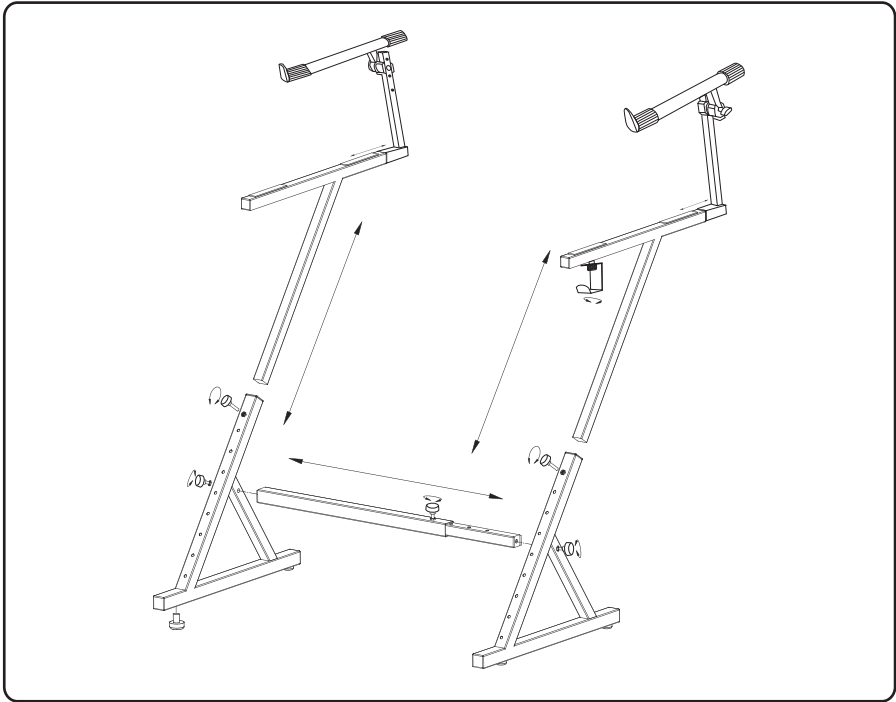
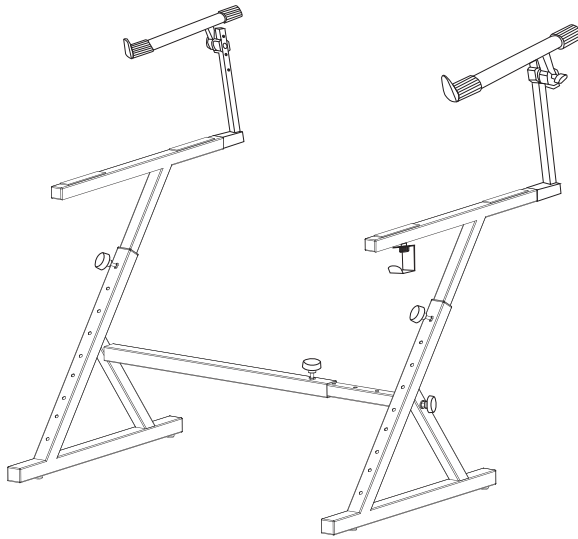
- Applications: DJ, Mixer, and Keyboards
- Stand Height Adjustment: 24"-36" -inches
- Stand Width Adjustment: 21"-37" -inches
- First Tier Depth: 16.5" -inches
- 2nd Tier Height Adjustment: 5"-12" (above the first tier)
- 2nd Tier Angle Adjustment: 10° increments
- 2nd Tier Depth: 16.25" -inches
- Construction Material: All-welded
- Structural Tubing: 1" x 2"
- Center Box Tubing: 3/4"
- Weight Capacity: 400 lbs.
- Weight Capacity, 2nd Tier: 60 lbs.
- Padding: Black Velveteen Rubber

Questions? Issues?

We are here to help!

Phone: (1) 718-535-1800

Email: support@pyleusa.com



WARNING:

This products can expose you to a chemical or group of chemicals, which may include "**Di (2-ethylhexyl) phthalate (DEHP)**" which is known in the state of California to cause cancer, birth defects, or other reproductive harm. For more info, go to <https://www.p65warnings.ca.gov/>.