

PKST48

Heavy-Duty Keyboard Stand with Wheels

Digital/Electronic Piano Stand with Height Adjustable & Locking Wheels

PYLE

PyleUSA.com

USER MANUAL

Features:

- Safe & Reliable Keyboard Placement
- Rugged & Durable Metal Construction
- Quick & Convenient Height Adjustment
- Secure Stability-Lock Mechanism for Reliability
- Unique Z-Design for Maximum Stability
- Anti-Slip Rubber Grip Foot Caps
- Works with Digital/Electronic Piano Keyboards
- Perfect for Seated or Standing Performances
- Folding Design for Travel and Storage
- Glossy Black Finish
- Locking Wheels
- Knob Bolts for quick & Convenient Height Adjustment
- Easily to Set Up or Adjust Height & Width of the Stand
- Includes Wheels for Transport & Home Use



What's in the Box:

- Digital Piano Stand

Technical Specs:

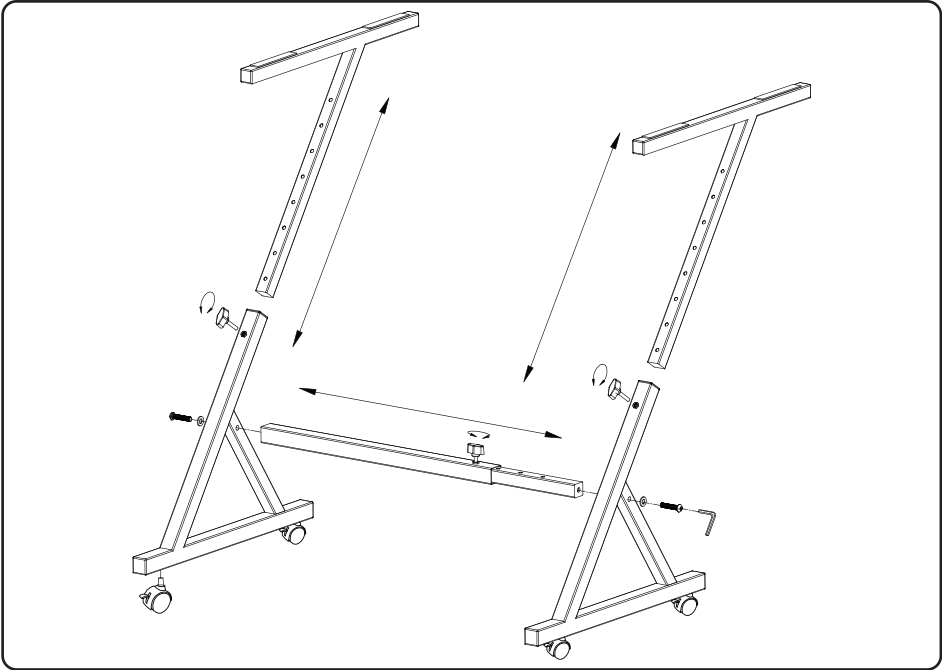
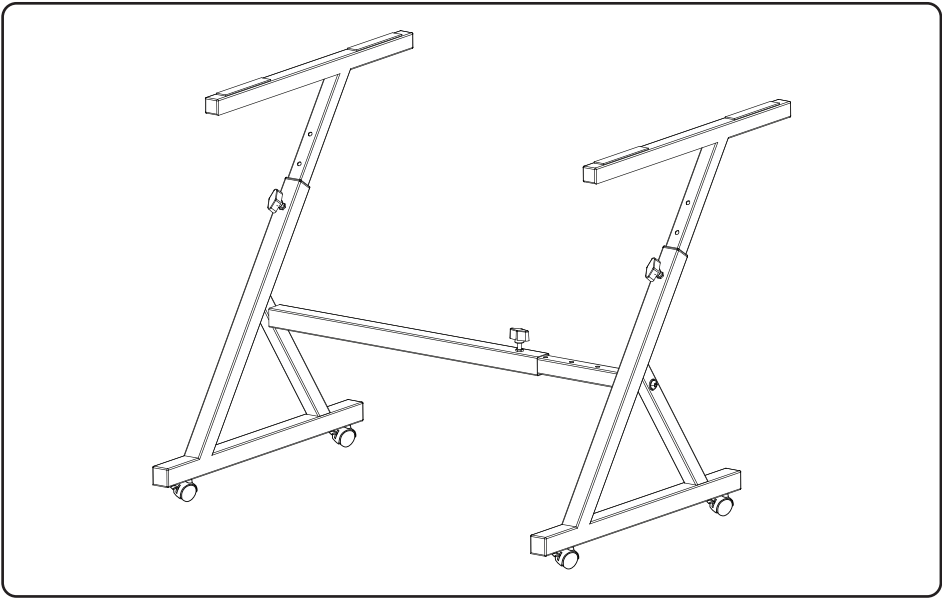
- Adjustable Height with Wheels Attached: 22" x 35.4" -inches
- Adjustable Width with Wheels Attached: 22.8" x 39.8" -inches
- Construction Material: Steel
- Minimum Height: 22" -inches
- Maximum Height: 35.4" -inches
- Maximum Weight Load Capacity: 85 lbs.
- Folded / Closed Dimensions (L x W x H):
21" x 2.6" x 20.7" -inches
- Open / Extended Dimensions (L x W x H):
19.68" x 22.83" – 39.76" x 22" – 35.4" - inches

Questions? Issues?

We are here to help!

Phone: (1) 718-535-1800

Email: support@pyleusa.com



WARNING:

This products can expose you to a chemical or group of chemicals, which may include "**Di (2-ethylhexyl) phthalate (DEHP)**" which is known in the state of California to cause cancer, birth defects, or other reproductive harm. For more info, go to <https://www.p65warnings.ca.gov/>.