

# nutri**chef**

by **PYLE**



**PKTEBC70**  
**PKTEBC85**



***Compressor Refrigerator***

**MODEL**

**PKTEBC70: 70L capacity**

**PKTEBC85: 85L capacity**

***USER MANUAL***

# CONTENTS

I. IMPORTANT SAFETY INSTRUCTIONS .....	2
II. PARTS DIAGRAM .....	4
III TEMPERATURE CONTROL .....	5
IV ELECTRIC DIAGRAM .....	6
V INSTRUCTION .....	6
VI VENTILATION .....	7
VII CLEANING .....	7
VIII TROUBLE SHOOTING .....	7

*Please read all instructions carefully and follow all guidelines and rules for optimum performance and proper appliance usage.*

## I. IMPORTANT SAFETY INSTRUCTIONS

### WARNING

To reduce the risk of fire, electrical shock, or injury when using your appliance, follow these basic precautions

- Read all instructions before using the Cooler.
- DANGER or WARNING: Risk of child entrapment.  
Child entrapment and suffocation are not problems of the past. Junked or abandoned appliances are still dangerous even if they will “just sit in the garage a few days”.
- Before you throw away your old Cooler: Take off the door. Leave the shelves in place so that children may not easily climb inside.
- Never allow children to operate, play with, or crawl inside the appliance.
- Never clean appliance parts with flammable fluids. The fumes can create a fire hazard or explosion.
- Do not store or use gasoline or any other flammable vapors and liquids in the vicinity of this or any other appliance. The fumes can create a fire hazard or explosion.
- Do not repair or replace any part of the Cooler or attempt any servicing unless specifically recommended in the user-maintenance instructions or in published user-repair instructions.  
Replace the fuse with the same type.

**-Save these instructions-**

# REFRIGERATOR SAFETY

Your safety and the safety of others are very important.

We have provided many important safety guidelines in this manual for your refrigerator.

Always read and obey all safety instructions.



This is the Safety Alert Symbol. This symbol alerts you to potential hazards that can kill or injure you and others. All safety messages will follow the Safety Alert Symbol and either the words "DANGER", "WARNING" or "CAUTION".

 **DANGER** 

Danger means that failure to heed this safety statement may result in severe personal injury or death.

 **WARNING** 

Warning means that failure to heed this safety statement may result in extensive product damage, serious personal injury, or death.

**CAUTION**

Caution means that failure to heed this safety statement may result in minor or moderate personal injury, property or equipment damage.

All safety messages will alert you to know what potential hazard is, tell you how to reduce the chance of injury, and let you know what can happen if the instructions are not followed.

## **FLAMMABLE REFRIGERANT GAS**

**DANGER** - Risk of fire or explosion. Flammable refrigerant used.

**DO NOT use mechanical devices to defrost refrigerator. DO NOT puncture refrigerant tubing.**

**DANGER** - Risk of fire or explosion. Flammable refrigerant used. To be repaired only by trained service personnel. DO NOT puncture refrigerant tubing.

**CAUTION** - Risk of fire or explosion. Flammable refrigerant used. Consult repair manual / owner's guide before attempting to service this product. All safety precautions must be followed.

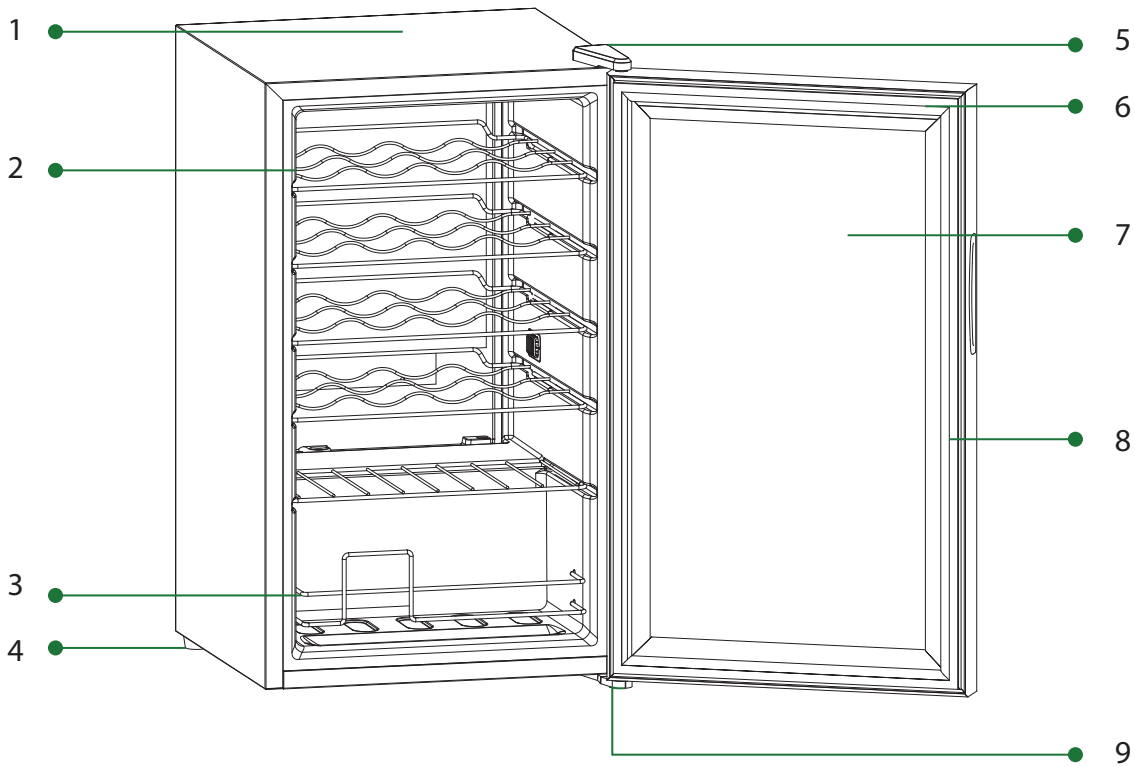
**CAUTION** - Risk of fire or explosion. Dispose of property in accordance with federal or local regulations. Flammable refrigerant used.

**CAUTION** - Risk of fire or explosion due to puncture of refrigerant tubing. Follow handling instructions carefully. Flammable refrigerant used.

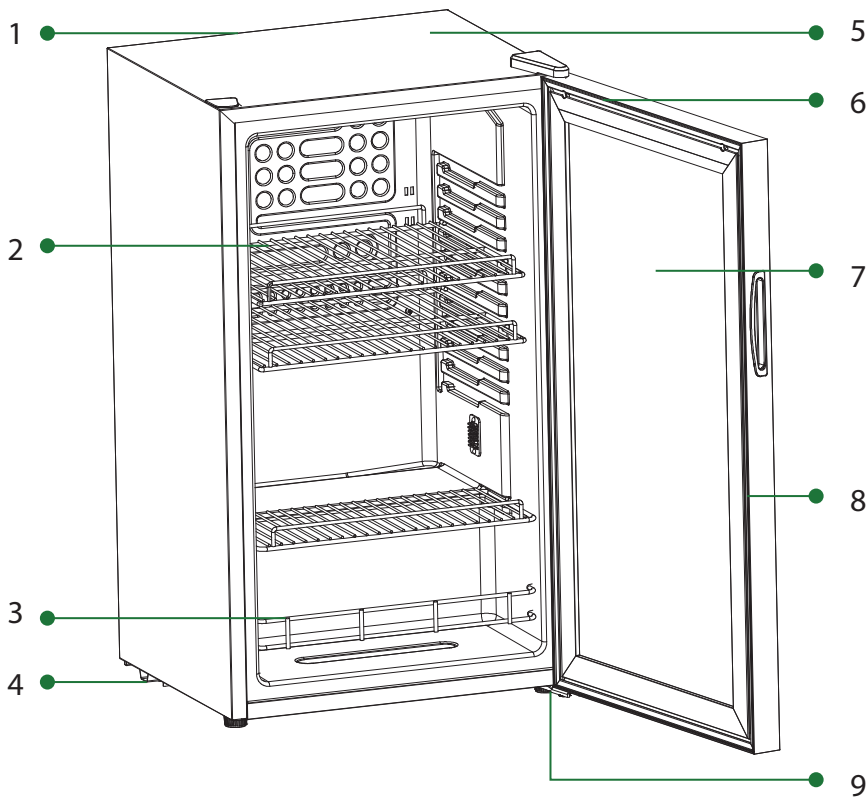
**CAUTION** - To prevent a child from being entrapped, keep out of reach of children and not in the vicinity of the cooler.

## II. PARTS DIAGRAM

• Model No: PKTEBC70



• Model No: PKTEBC85



- 1. Cabinet
- 2. Shelf
- 3. Retainer Bar
- 4. Foot
- 5. Upper Door Hinge with Cover
- 6. Control Panel (Exterior Door)
- 7. Glass Door
- 8. Door Gasket
- 9. Bottom Hinge




### III. TEMPERATURE CONTROL

#### • CONTROL PANEL

You can select temperature display between Fahrenheit and Celsius setting by pushing this  button.




#### • SETTING THE TEMPERATURE CONTROL

- Your cooler is equipped with a control panel lock feature which will lock itself automatically 20 seconds after the last time a button is pressed.
- Press the  button to unlock the control panel. You will hear a “BEEP” sound to alert you that the control is now active.
- You can manually adjust the temperature inside Cooler by pressing the buttons on the display panel. The two buttons on the panel  and  adjust the temperature in increments of 33.8°F.
- You can also turn the interior light on or off by pressing the “Light” button.

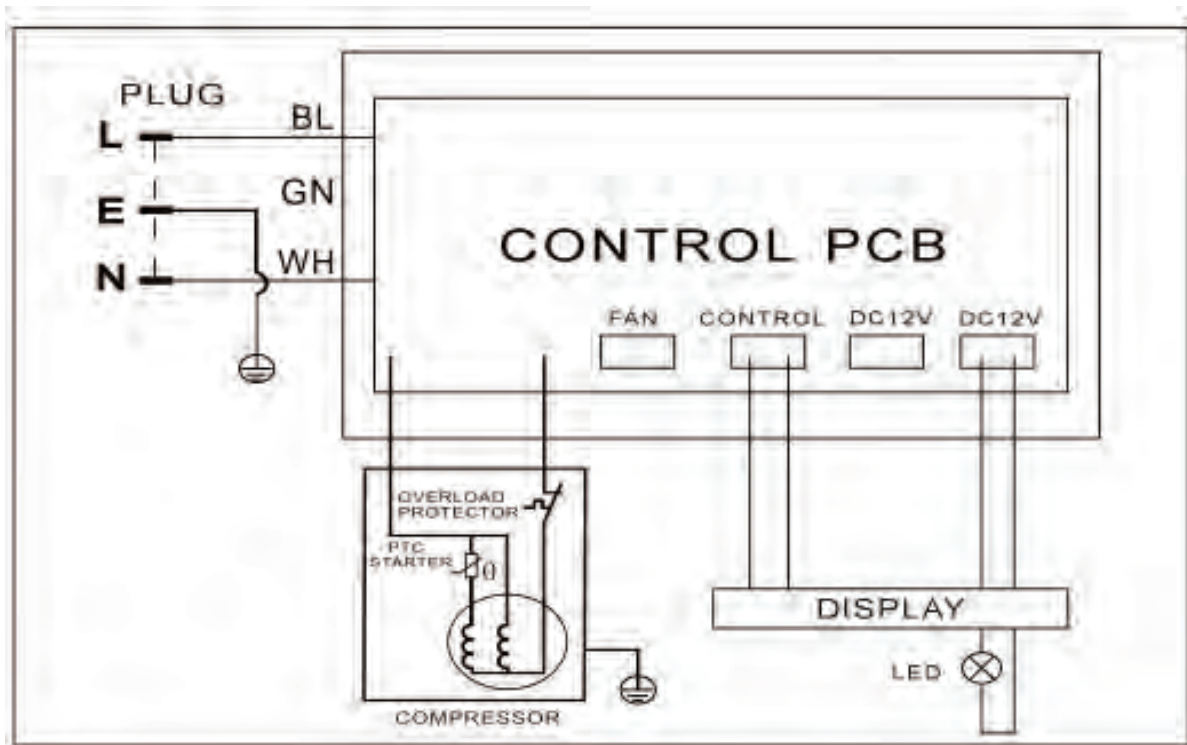
#### • Note:

- If the unit is unplugged, the power is lost or turned off, you must wait 3 to 5 minutes before restarting the unit if you attempt to restart before this time delay, the cooler will not start.
- When you use the cooler for the first time or restart the cooler after having been shut off for a long time, there could be a few degrees variance between the temperature you select and the one indicated on the LED read out. This is normal and it is due to the length of the activation time. Once the cooler is running for a few hours everything will be back to normal.

#### • INTERIOR LIGHT:

- You can turn the interior light **ON** or **OFF** by pushing the button  marked with the “Light” symbol.
- The light will be turned off automatically if it remains **ON** for 10 minutes. You have to push the “Light” button again to turn it back on.

## IV. ELECTRIC DIAGRAM



## V. I NSTRUCTION

### • Note:

- Position your Cooler so that the plug is accessible.
- Keep your Cooler out of direct sunlight.
- Do not place next to heat generating appliance.
- Place the Cooler on a leveled surface that is strong enough to support the unit when it is fully loaded. To level your Cooler, adjust the front feet located at the bottom of the unit.

### • Important:

- Position the cooler in a dry and airy place with ambient temperature between 5-18°C (41-64°F).
- Before connecting the unit to a power source, allow it stand upright for approximately 2 hours. This will reduce the possibility of any system malfunctions which may have occurred from handling during transportation.
- When positioning the Cooler, 6 inches of space at the back and 10 inches of space both sides are suggested. Do not put any objects on top of the unit which may block the air circulation.

### • Power Connection:

- This Cooler should be properly grounded for your safety and in order to minimize the possibility of electrical shock, the power cord of this unit is equipped with a 3-pin plug which fits with 3-pin wall outlets.
- Never cut or remove the ground wire from the supplied power cord.
- The use of extension cords is not recommended.
- This unit requires a standard 110V-60Hz electrical outlet with a 3-pin plug.
- The cord should be secured behind the Cooler. Also, to prevent accidental injury, do not expose or dangle the cord

## VI. VENTILATION

- Do not install the Cooler in a closed cabinet without proper ventilation.
- Please leave at least 6 inches distance between the wall and the Cooler.
- Do not remove the feet of the Cooler. Keep at least 50mm of ground clearance.

## VII. CLEANING

- **UNPLUG** the Appliance, and remove all items including shelves.
- Wash the inside surfaces with a warm water and baking soda solution.  
The solution should be about 2 tablespoons of baking soda to a quart of water.
- Wash the shelves with a mild detergent solution.
- Wash the outside cabinet with warm water and mild detergent.  
Rinse well and wipe dry with a clean soft cloth.

## IX. TROUBLE SHOOTING

PROBLEM	POSSIBLE CAUSES
Appliance does not operate	<ul style="list-style-type: none"><li>• The unit may be plugged in using a different voltage.</li><li>• The circuit breaker may be tripped or there is a blown fuse.</li></ul>
The Cooler is not cold enough.	<ul style="list-style-type: none"><li>• Check the temperature control settings, as the external environment may be too hot.</li><li>• The door may be opened too frequently.</li><li>• The door is not closed completely.</li><li>• The door seal does not seal properly.</li><li>• The Cooler does not have sufficient clearance.</li></ul>
The Cooler vibrates while operating.	<ul style="list-style-type: none"><li>• Check to assure that the appliance is level.</li></ul>
The Cooler seems to make too much noise.	<ul style="list-style-type: none"><li>• The unit may not be leveled.</li><li>• Check the fan.</li></ul>
The Cooler will not close properly.	<ul style="list-style-type: none"><li>• The unit may not be leveled.</li><li>• The rattling noise may come from the flow of the refrigerant, which is normal.</li><li>• As each cycle ends, you may hear gurgling sounds caused by the flow of refrigerant in your unit</li><li>• Contraction and expansion of the inside walls may cause popping and cracking noise.</li><li>• The unit is not level.</li></ul>
The LED display does not work.	<ul style="list-style-type: none"><li>• There may be a problem with the main control board.</li><li>• There is a problem with the plug.</li></ul>
There is an LED display error.	<ul style="list-style-type: none"><li>• There is a PCB problem.</li></ul>
The buttons do not function.	<ul style="list-style-type: none"><li>• The temperature control panel may be damaged.</li></ul>
The door will not close properly.	<ul style="list-style-type: none"><li>• The unit is not level.</li><li>• The door was reversed and not properly installed.</li><li>• The gasket is dirty or bent.</li><li>• The shelves, bins, or baskets are out of position.</li></ul>

# nutrichef

by **PYLE**



**VISIT US ONLINE:**

*Have a question?*

*Need service or repair?*

*Want to leave a comment?*

**[PyleUSA.com/ContactUs](http://PyleUSA.com/ContactUs)**

**PYLE**