



nutrichef
by **PYLE**

PKTEWC

Electric Wine Cooler



Wine Chilling Refrigerator

MODEL:		
PKTEWC08	8 Bottle Capacity	with stainless steel door
PKTEWC80	8 Bottle Capacity	
PKTEWC12	12 Bottle Capacity	with stainless steel door
PKTEWC120	12 Bottle Capacity	
PKTEWC18	18 Bottle Capacity	with stainless steel door
PKTEWC180	18 Bottle Capacity	
PKTEWCDS1802	18-Bottle Capacity (Dual zone)	
PKTEWCDS1805	18-Bottle Capacity (Dual zone)	with stainless steel door
PKTECC40	6-Bottle Capacity+Cigar	with stainless steel door

CONTENTS

I. IMPORTANT SAFETY INSTRUCTIONS	2
II. PARTS DIAGRAM	3
INSTALLING THE STAINLESS STEEL HANDLE	5
III. TEMPERATURE CONTROL	5
IV. ELECTRIC DIAGRAM	7
V. INSTRUCTION	8
VI. VENTILATION	8
VII. CLEANING	8
VIII. TROUBLE SHOOTING	9

Please read all instructions carefully and follow all guidelines and rules for optimum performance and proper appliance usage.

I. IMPORTANT SAFETY INSTRUCTIONS

WARNING

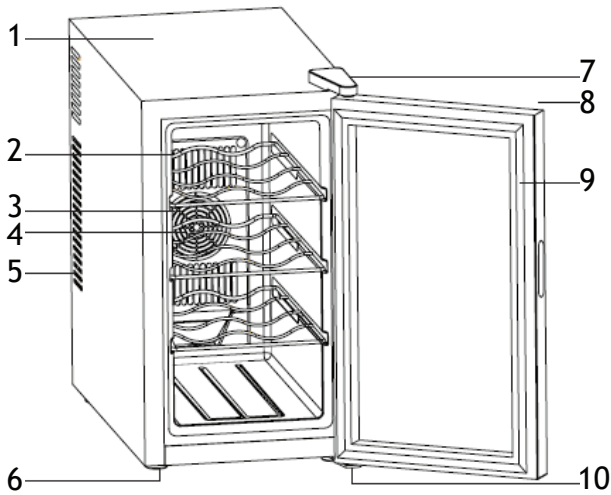
To reduce the risk of fire, electrical shock, or injury when using your appliance, follow these basic precautions

- Read all instructions before using the Cooler.
- DANGER or WARNING: Risk of child entrapment.
Child entrapment and suffocation are not problems of the past. Junked or abandoned appliances are still dangerous even if they will “just sit in the garage a few days”.
- Before you throw away your old Cooler: Take off the door. Leave the shelves in place so that children may not easily climb inside.
- Never allow children to operate, play with, or crawl inside the appliance.
- Never clean appliance parts with flammable fluids. The fumes can create a fire hazard or explosion.
- Do not store or use gasoline or any other flammable vapors and liquids in the vicinity of this or any other appliance. The fumes can create a fire hazard or explosion.
- Do not repair or replace any part of the Cooler or attempt any servicing unless specifically recommended in the user-maintenance instructions or in published user-repair instructions.
Replace the fuse with the same type.

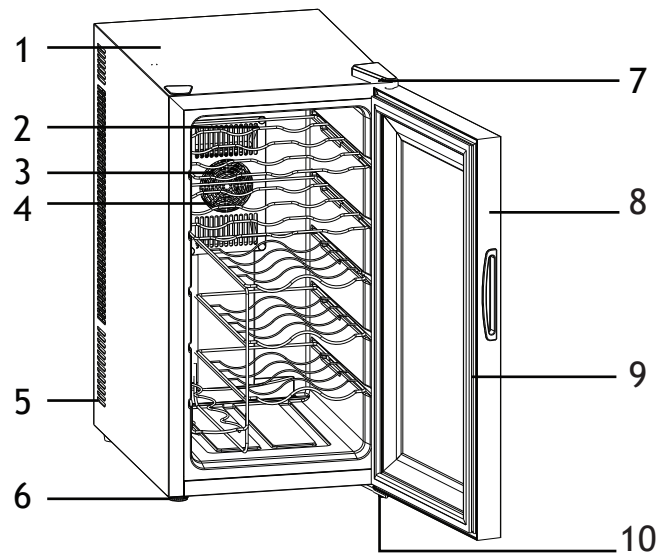
-Save these instructions-

II. PARTS DIAGRAM

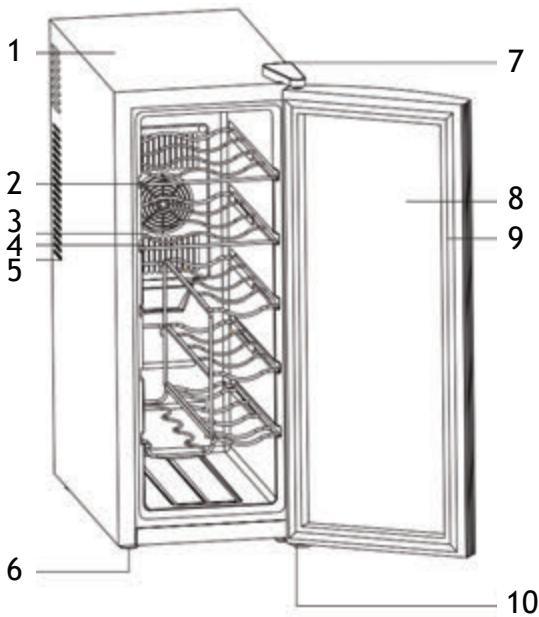
- **Model No:** PKTEWC08
PKTEWC80



- **Model No:** PKTEWC12
PKTEWC120



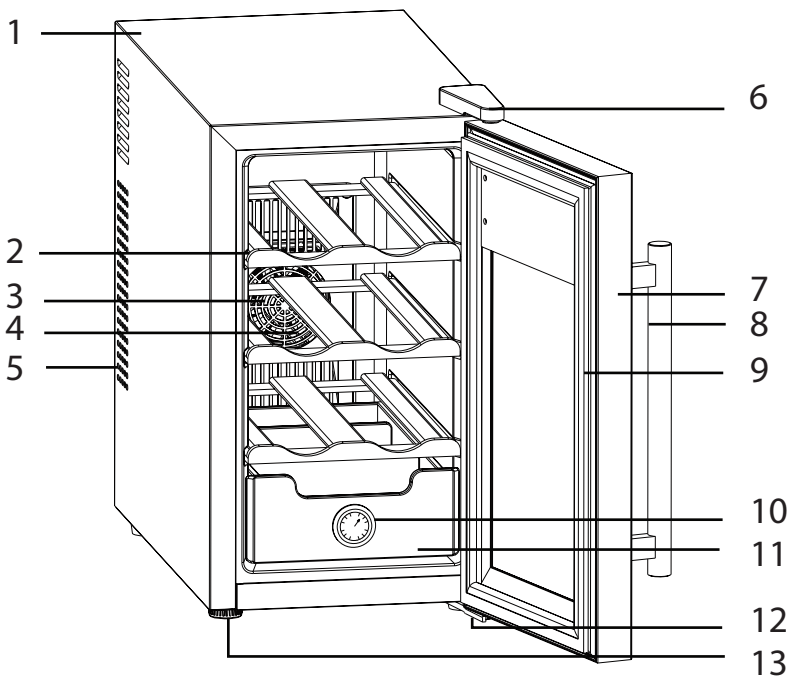
- **Model No:** PKTEWC18
PKTEWC180



1. Cabinet
2. Shelf
3. Fan
4. Fan Cover
5. Ventilation Grill
6. Foot
7. Upper Door Hinge with Cover
8. Glass Door
9. Door Gasket
10. Bottom Hinge

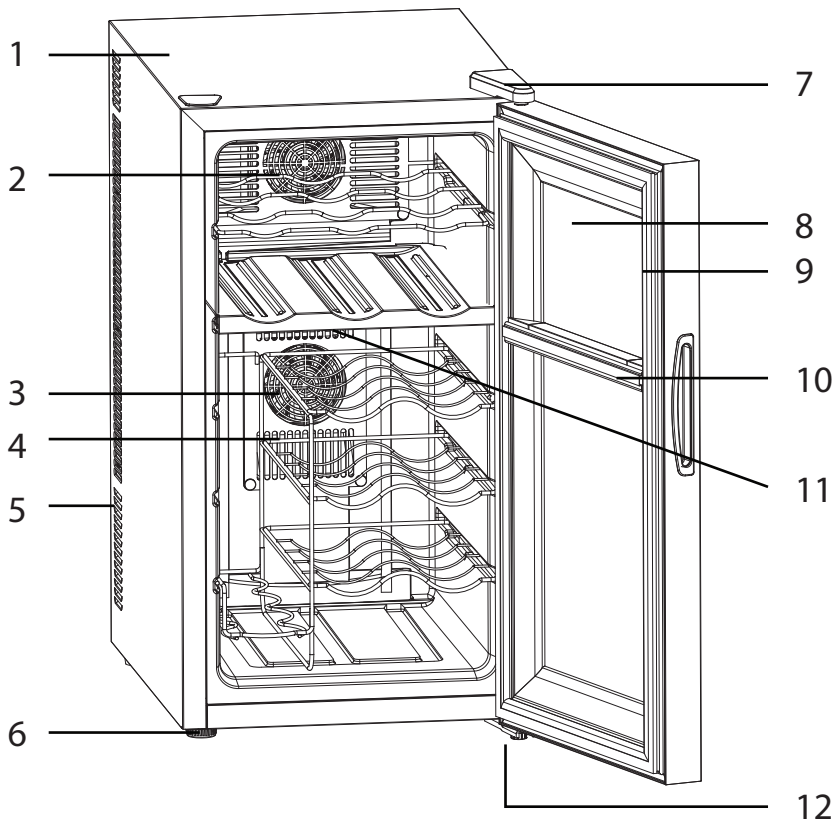
II. PARTS DIAGRAM

• **Model No:** PKTECC40



1. Cabinet
2. Wooden Shelf
3. Fan
4. Fan Cover
5. Ventilation Grill
6. Upper Door Hinge with Cover
7. Stainless Steel Glass Door
8. Stainless Steel Handle
9. Door Gasket
10. Hygrometer
11. Removable Sliding Trays
12. Bottom Hinge
13. Foot

• **Model No:** PKTEWCDS1802
PKTEWCDS1805



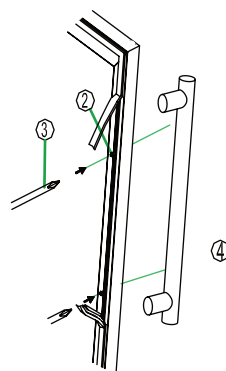
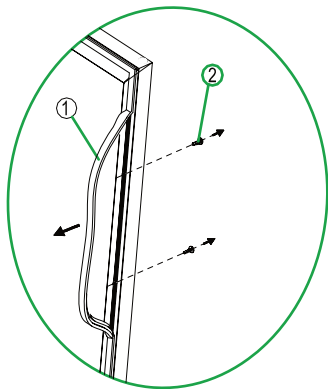
1. Cabinet
2. Shelf
3. Fan
4. Fan Cover
5. Ventilation Grill
6. Foot
7. Upper Door Hinge with Cover
8. Glass Door
9. Door Gasket
10. Zone Separator (Door)
11. Zone Separator Unit
12. Bottom Hinge

INSTALLING THE STAINLESS STEEL HANDLE

For PKTWEC08, PKTWEC12, PKTWEC18, PKTEWCDS1805, and PKTECC40 Models only

This wine cellar includes a stainless steel handle. To install the handle please follow the below instructions:

1. Pull away the door gasket in the area where the handle is to be installed on the left side as shown below in illustration #1. The gasket can easily be displaced by hand, no tools are necessary.
2. Align the handle with the screws installed. Tighten the screws using a Phillips head screwdriver until the handle sets both flush and secured tightly against the door frame.
(DO NOT over tighten as this will cause damage to the handle assembly).
3. Replace the door gasket to its original position.



1. Gasket	2. Phillips Head Screw Driver
3. Phillips Head Screw	4. Handle

III. TEMPERATURE CONTROL

- It is recommended that the wine cooler should be installed in an area where the ambient temperature is between 10-26°C (50-80°F).
- If the ambient temperature is above or below the recommended ranges, the unit's performance may be affected, and extreme cold or hot conditions may cause the interior temperature to fluctuate. This will prevent the optimal range from being reached. In addition, keep in mind that the temperature may fluctuate depending on whether the interior light is on or off, and whether the bottles are located on the upper, middle, or lower racks.

RECOMMENDED TEMPERATURES FOR CHILLING WINE

RED WINES	14 - 18°C	57- 65°F
DRY/WHITE WINES	9 - 14°C	49- 58°F
ROSE WINES	10 - 11°C	51- 53°F

TEMPERATURE RANGES FOR YOUR WINE COOLER

PKTEWC08	8-18°C	46-64°F
PKTEWC12	10-18°C	50-64°F
PKTEWC18	12-18°C	54-64°F
PKTEWC80	8-18°C	46-64°F
PKTEWC120	10-18°C	50-64°F
PKTEWC180	12-18°C	54-64°F
PKTEWCDS1802	8-18°C (Uper Zone)	46-64°F (Uper Zone)
PKTEWCDS1805	10-18°C (Lower Zone)	54-64°F (Lower Zone)
PKTECC40	8-23°C	47-73°F







● CONTROL PANEL

For PKTEWC08, PKTEWC80, PKTEWC12, PKTEWC120, PKTEWC18 and PKTEWC180 Models only

 You can select temperature display between Fahrenheit and Celsius setting by pushing this button.



SETTING THE TEMPERATURE CONTROL






- Your wine cooler is equipped with a control panel lock feature which will lock itself automatically 12 seconds after the last time a button is pressed.
- Push the  and  button simultaneously for 3 seconds to unlock the control panel. You will hear a "BEEP" sound to alert you that the control is now active.
- You can manually adjust the temperature inside wine cooler by pressing the buttons on the display panel. The two buttons on the panel  and  adjust the temperature in increments of 1°C or 1°F
- You can also turn the interior light ON or OFF by pressing the "" button.
- The light will be turned off automatically if it remains ON for 10 minutes. You have to push the  button again to turn it back ON.

● CONTROL PANEL *(For PKTECC40 model only)*


 You can select temperature display between Fahrenheit and Celsius setting by pressing this button and hold for 5 seconds



SETTING THE TEMPERATURE CONTROL








- Your cooler is equipped with a control panel lock feature which will lock itself automatically 20 seconds after the last time a button is pressed.
- Press the  button to unlock the control panel. You will hear a "BEEP" sound to alert you that the control is now active.
- You can manually adjust the temperature inside Cooler by pressing the buttons on the display panel. The two buttons on the panel  and  adjust the temperature in increments of 1°C or 1°F
- You can also turn the interior light on or off by pressing the "" button.
- The light will be turned OFF automatically if it remains ON for 10 minutes. You have to push the "" button again to turn it back ON.

● CONTROL PANEL *(For PKTEWCDS1802 and PKTEWCDS1802 model only)*

 You can select temperature display setting from Fahrenheit to Celsius degree by pushing this button approximately for 3 seconds. The degrees will appear in blue color in the temperature display window.



SETTING THE TEMPERATURE CONTROL

- Your wine cooler is equipped with a control panel lock feature which will lock itself automatically 12 seconds after the last time a button is pressed.
- Push the  and  button simultaneously for 3 seconds to unlock the control panel. You will hear a "BEEP" sound to alert you that the control is now active.
- If you desire to change the temperature, set the temperature as you desire by touching the  or  button. Touch the  button once to select the lower zone and once more to select the upper zone. The numbers in the display window will flash. The temperature that you desire to set will increase 1°C or 1°F if you touch the  button once, on the contrary the temperature will decrease 1°C or 1°F if you touch  button once.
- When you store mostly red wines, the temperature needs to be set at between 14°-18°C or 57.2°-46.4°F.
- When you store mostly white wines, the temperature needs to be set at between 12°-14°C or 53.6°-39.2°F.

Note:

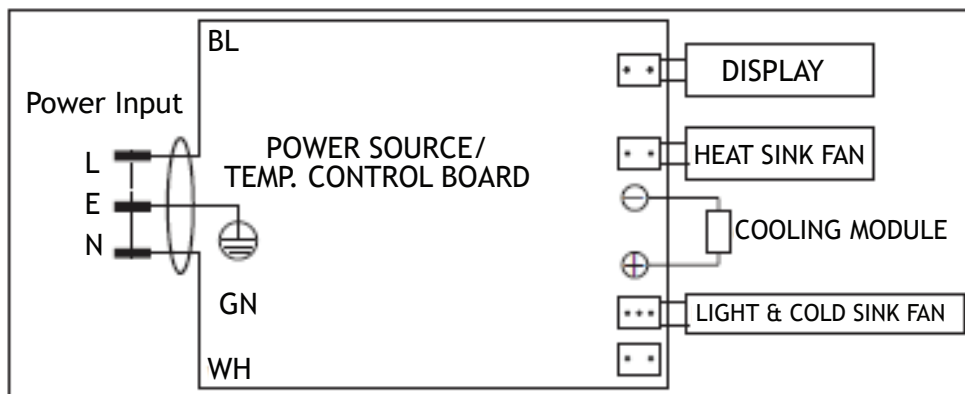
- When you use the wine cooler for the first time or restart the wine cooler after having been shut off for a long time, there could be a few degrees variance between the temperature you select and the one indicated on the LCD readout.
- This is normal and it is due to the length of the activation time. Once the wine cooler is running for a few hours everything will be back to normal.

Interior Light:

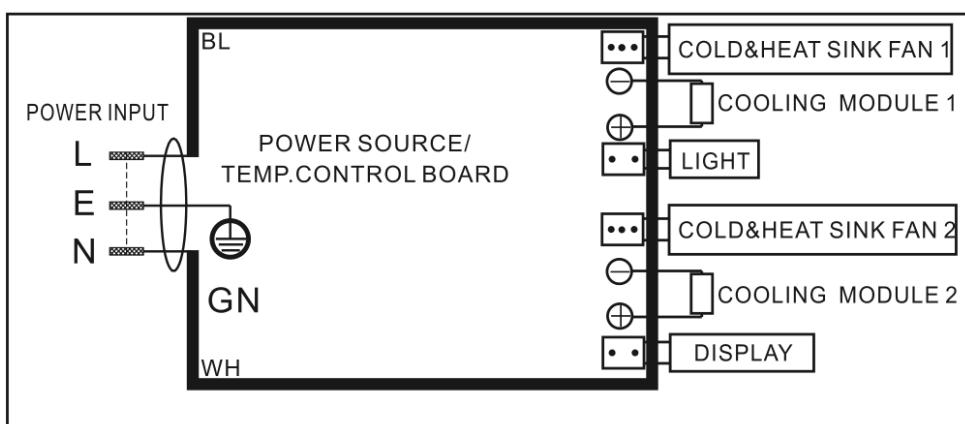
- You can turn the interior light ON or OFF by pushing the button marked with the "Light" symbol.
- The light will be turned off automatically if it remains ON for 10 minutes. You have to push the "Light" button again to turn it back on.

IV. ELECTRIC DIAGRAM

(For PKTEWC08/PKTEWC80/PKTEWC12/PKTEWC120/PKTEWC18/PKTEWC180/PKTECC40 model only)



(For PKTEWCDS1802 and PKTEWCDS1802 model only)



V. INSTRUCTION

Note:

- Position your wine cooler so that the plug is accessible
- Keep your wine cooler out of direct sunlight.
- Do not place next to heat generating appliance.
- Place the wine cooler on a leveled surface that is strong enough to support the unit when it is fully loaded. To level your wine cooler, adjust the front feet located at the bottom of the unit.

Important:

- Position the cooler in a dry and airy place with ambient temperature between 16-26°C (60-80°F).
- Before connecting the unit to a power source, allow it stand upright for approximately 2 hours. This will reduce the possibility of any system malfunctions which may have occurred from handling during transportation.
- When positioning the wine cooler, 6 inches of space at the back and 10 inches of space both sides are suggested. Do not put any objects on top of the unit which may block the air circulation.

Power Connection:

- This wine cooler should be properly grounded for your safety and in order to minimize the possibility of electrical shock, the power cord of this unit is equipped with a 3-pin plug which fits with 3-pin wall outlets.
- Never cut or remove the ground wire from the supplied power cord.
- The use of extension cords is not recommended.
- This unit requires a standard 110V-60Hz electrical outlet with a 3-pin plug.
- The cord should be secured behind the wine cooler. Also, to prevent accidental injury, do not expose or dangle the cord.

VI. VENTILATION

- Do not install the wine cooler in a closed cabinet without proper ventilation.
- Please leave at least 6 inches distance between the wall and the wine cooler.
- Do not remove the feet of the wine cooler. Keep at least 50mm of ground clearance.

VII. CLEANING

- UNPLUG the Wine Chiller, and remove all items including shelves.
- Wash the inside surfaces with a warm water and baking soda solution. The solution should be about 2 tablespoons of baking soda to a quart of water.
- Wash the shelves with a mild detergent solution.
- Wring excess water out of the sponge or cloth when cleaning area of the controls, or any electrical parts.
- Wash the outside cabinet with warm water and mild liquid detergent. Rinse well and wipe dry with a clean soft cloth.

IX. TROUBLE SHOOTING

PROBLEM	POSSIBLE CAUSES
The wine cooler will not operate	<ul style="list-style-type: none"> • The unit may be plugged in using a different voltage. Also, the circuit breaker may be tripped or there is a blown fuse.
The wine cooler is not cold enough.	<ul style="list-style-type: none"> • Check the temperature control settings, as the external environment may be too hot. • The door may be opened too frequently. • The door is not closed completely. • The door seal does not seal properly. • The wine cooler does not have sufficient clearance.
The wine cooler vibrates while operating.	<ul style="list-style-type: none"> • Make sure the unit is leveled.
The wine cooler produces a lot of noise.	<ul style="list-style-type: none"> • The unit may not be leveled. • Check the fan.
The wine cooler will not close properly.	<ul style="list-style-type: none"> • The unit may not be leveled. • The doors are reversed and not properly installed. • The seal is weak.
The LED display does not work.	<ul style="list-style-type: none"> • There may be a problem with the main control board. • There is a problem with the plug.
There is an LED display error.	<ul style="list-style-type: none"> • There is a PCB problem.
The buttons do not function.	<ul style="list-style-type: none"> • The temperature control panel may be damaged.
Frost or ice developed inside the wine cooler.	<ul style="list-style-type: none"> • Ambient temperature too low. • The wine cooler needed to be restarted

nutrichef

by **PYLE**



VISIT US ONLINE:

Have a question?

Need service or repair?

Want to leave a comment?

PyleUSA.com/ContactUs

PYLE