

PL650CBL

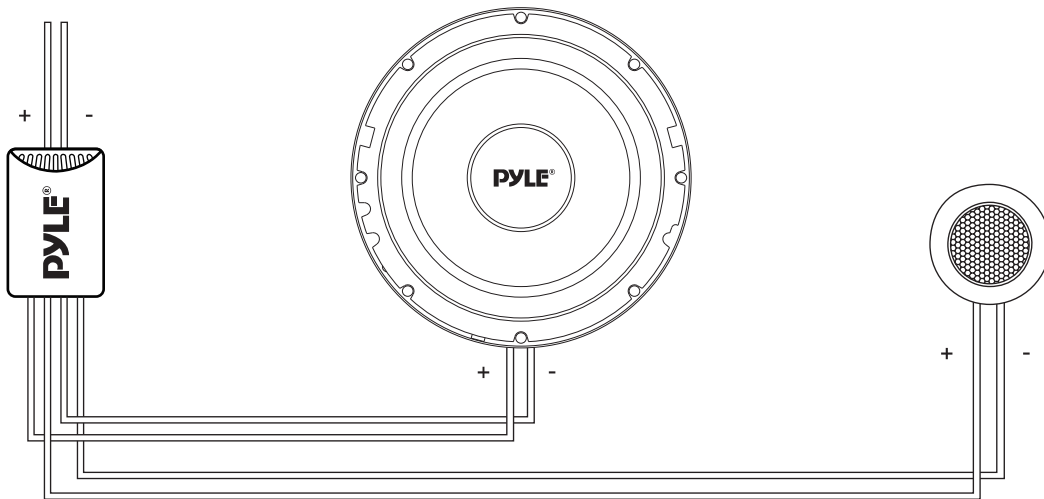
Two-Way Component Speaker Systems

One Pair 6.5" Two-Way Component Kit, 360 Watts w/4 Ohm Impedance and 1" High-Temperature ASV Voice Coil (Pair)

PYLE
PyleUSA.com

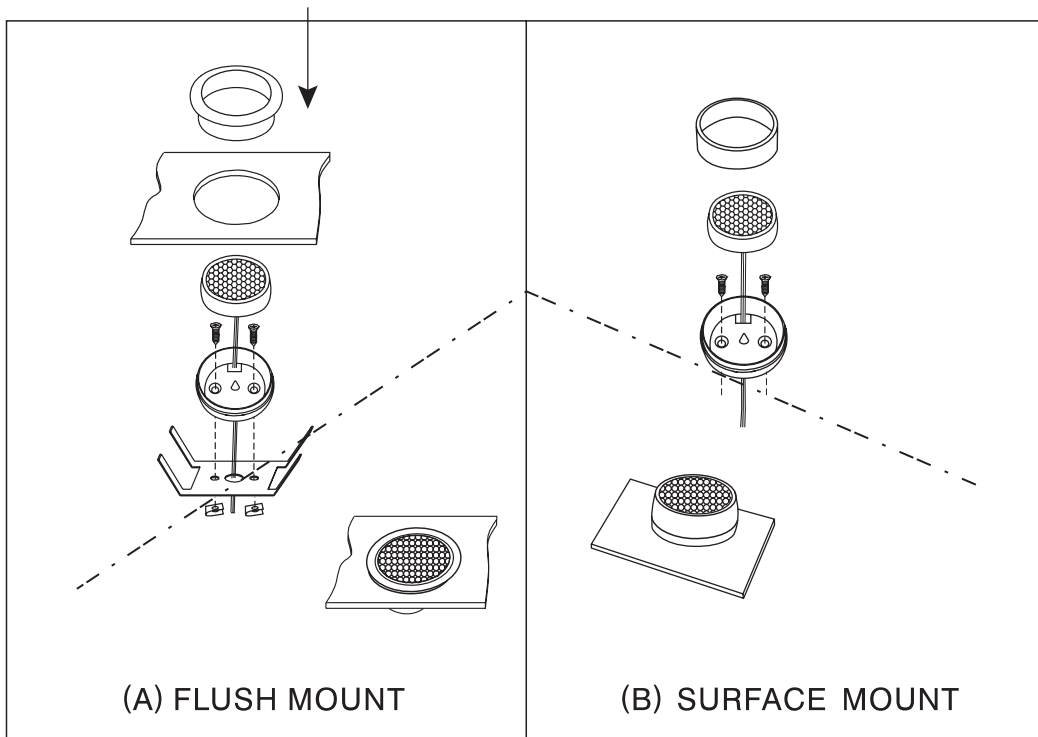
USER GUIDE

Wiring Instruction



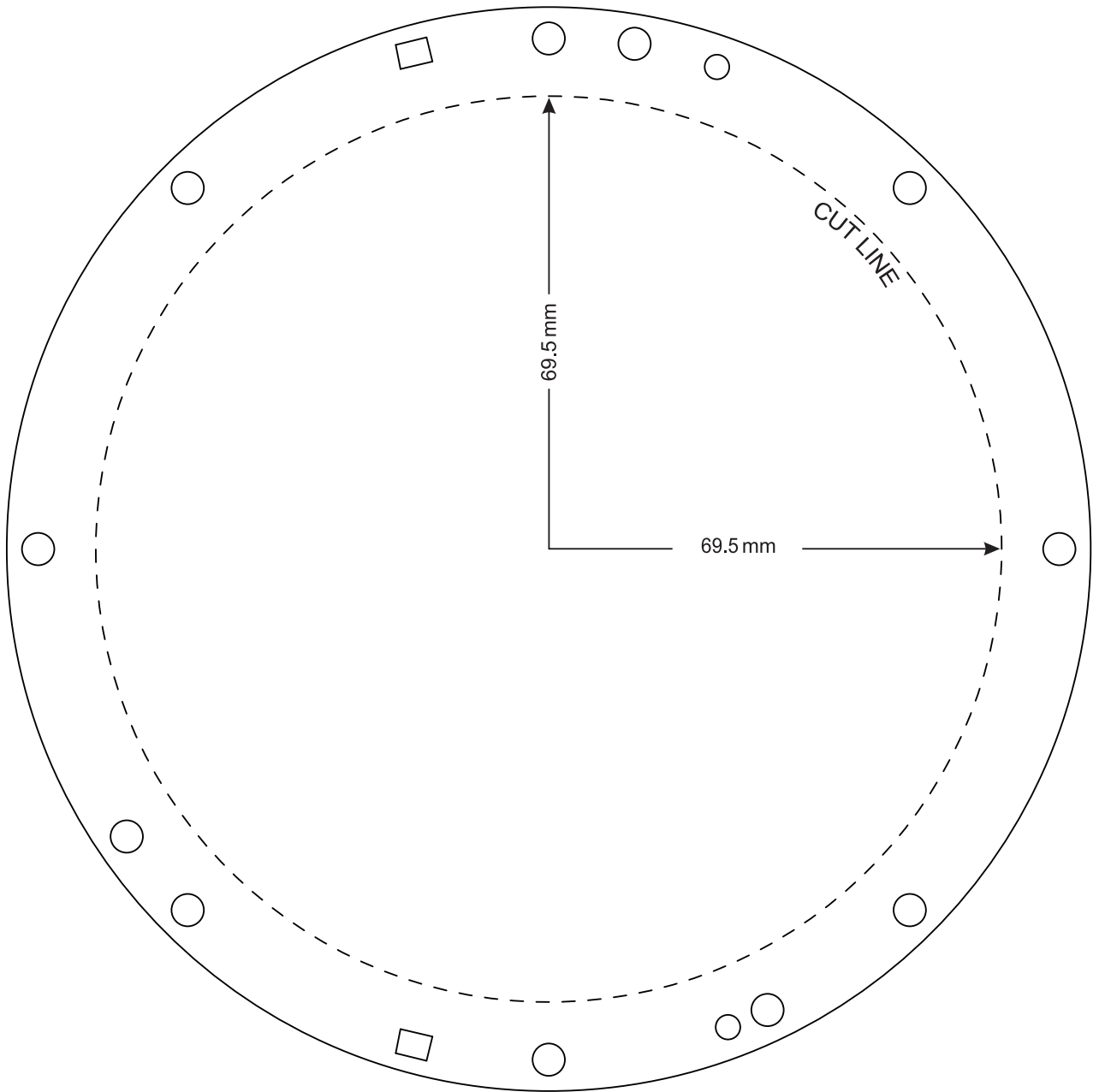
Installation Instructions

Tweeters can be installed in one of two ways, flush, surface mount with included hardware.



TEMPLATE

FOR 6.5" SPEAKER



Questions? Issues?

We are here to help!

Phone: (1) 718-535-1800

Email: support@pyleusa.com

California Prop 65 Warning

WARNING:

This product contains Di (2-ethylhexyl) phthalate (DEHP) which is known to the state of California to cause cancer birth defects and other reproductive harm. Do not ingest.

For more info go to: www.P65warnings.ca.gov