

PYLE

PyleUSA.com



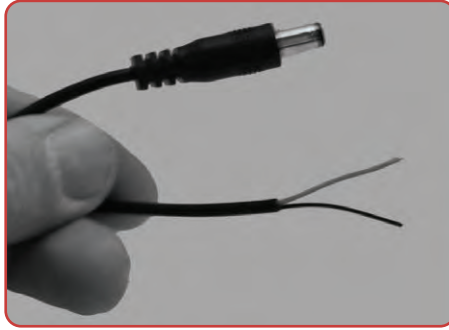
PLCM11

Rearview Back-Up Camera

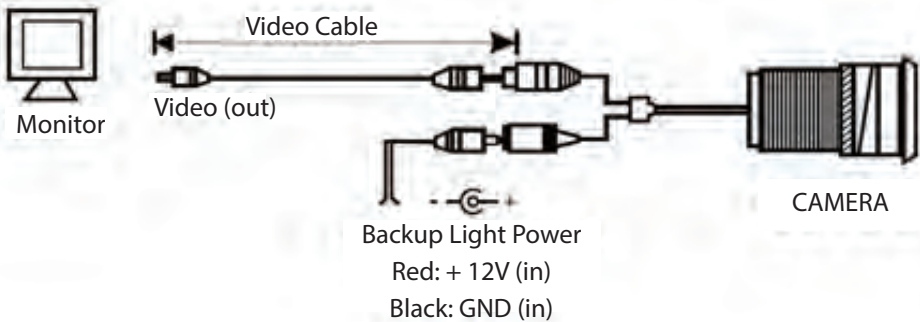
Parking Reverse Cam with Distance
Scale Line Display, Night Vision, Waterproof

1. Wire Connection

Please hard wire the red positive wire connected to the round 1mm DC plug (pictured below) to your reverse tail light positive 12V connection and the black wire to the closest available ground. You will probably need a small length of wire to reach from your reverse tail light to the DC plug.



2. There is one 2 jack on the camera unit cable, the yellow RCA jack is for the video output, and red is for 12V DC power supply.
3. Please plug the round 1mm DC plug that you just wired to your reverse tail light into the red (A) power connection (pictured above)
4. Use the included 5m video cable to connect the yellow video wire (B) to your video monitor.



Attention: The camera switch is controlled by the reverse gear shift. When

PLCM11

Rearview Back-Up Camera - Parking Reverse Cam with Distance Scale Line Display, Night Vision, Waterproof

Features:

- Rearview Back-Up Cam
- Compact Vehicle Camera Style
- Universal Mount – Fits All Types of Vehicles
- Night Vision Illumination
- Distance Scale Line Display for Depth Perception
- Waterproof & Weather-Resistant
- Marine Grade Camera Construction
- Rugged & Durable Metal Housing
- Tilt Adjustable Camera Lens Angle
- True Color Picture Output
- Auto White Balance & Image Adjustment
- Used for Car & Automobile, Mobile Vehicle Applications

What's in the Box:

- Backup Camera
- DC Power Cable, 3.3' ft.
- RCA Video Cable, 17' ft.

Technical Specs:

- Marine Grade Rating: IP-67
- Low Lux Light Performance: (0.2 LUX)
- Video Output: 1.0V PP-75 Ohm
- Resolution: 656 x 492 Pixels, 420 TV Lines
- Viewing Angle: 170 Degree
- Power Supply: DC 12V
- Dimension (L x W x H): 0.87" x 0.94" x 1.02" -inches
- Sold as: 1

PYLE

PyleUSA.com



VISIT US ONLINE:

Have a question?

Need service or repair?

Want to leave a comment?

PyleUSA.com/ContactUs

PYLE