

PLD63C

2 Pcs. 6.5" SVC Speakers

with Pair of 12dB Per Octave Passive Crossover Network
and Pair of 1.0" Aluminum Tweeter, Injection Cone
with Rubber Edge

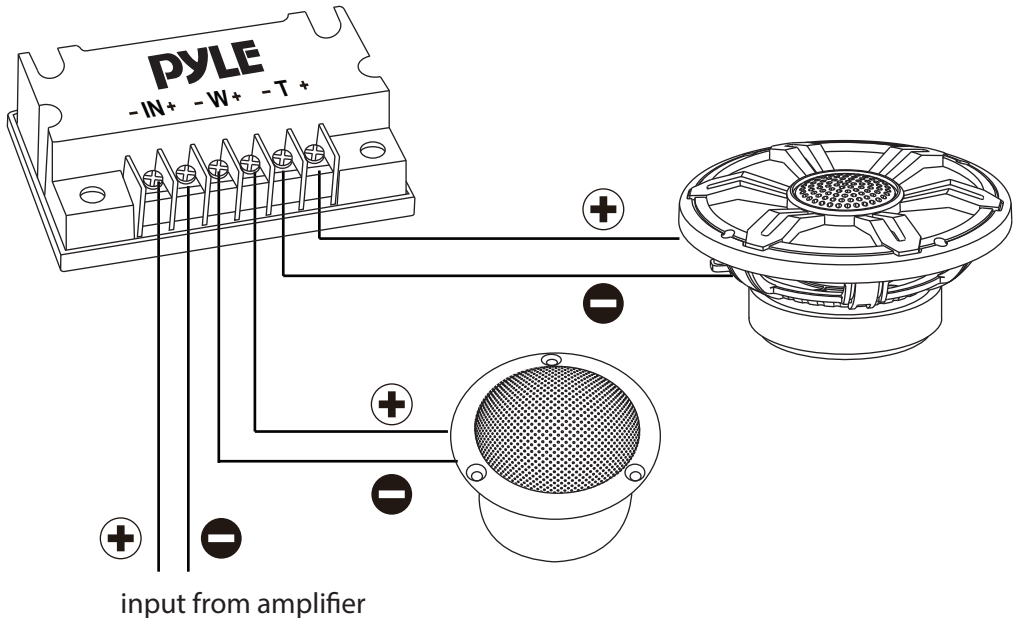
PYLE
PyleUSA.com

USER GUIDE



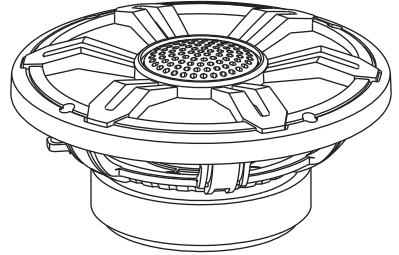
WIRING CONNECTION

1. Connect the crossover to the positive and negative poles accordingly.
2. T (Tweeter), W (Woofer), IN (input from amplifier)



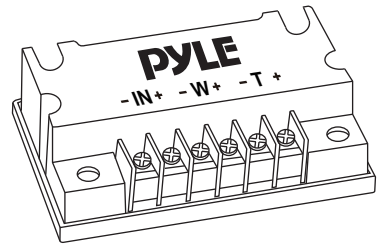
Features:

- One Pair 6.5" Three-Way Component Speaker Systems
- Non-fatiguing Butyl Rubber Surround
- 1" High-Temperature ASV Voice Coil
- Standard 6.5" Size Fits OEM Locations
- Ensures Low Distortion
- Flush and Surface Mount Capability
- 12dB Octave Passive Crossover Network



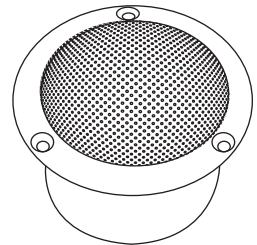
What's in the Box:

- (2) 6.5" Woofers
- (2) Aluminum Tweeters
- (2) Crossover Network
- Grilles
- Wires
- Mounting Hardware



Technical Specs:

- Power Handling: 80 Watts Max, (Tweeter); 150 Watts Peak Power (Woofer)
- Impedance: 4 Ohm
- Sensitivity: 91 dB
- Frequency Response (woofer): 50Hz - 5000Hz
- Frequency Response (tweeter): 2KHz - 20KHz
- Voice Coil: 1.5"
- Tweeter Size: 2.3"
- Product Dimension: 4.13" x 2.59" x 1.22" -inches (Crossover)
- Product Dimension with Grill: 6.81" x 6.81" x 3.07" -inches (Woofer)



California Prop 65 Warning

WARNING:

This product contains Nickel carbonate which is known to the state of California to cause cancer birth defects and other reproductive harm. Do not ingest.

For more info go to: www.P65warnings.ca.gov

Questions? Issues?

We are here to help!

Phone: (1) 718-535-1800

Email: support@pyleusa.com