

PYLE[®] GEAR

SPECIFICATIONS

PLG8
PLG10
PLG12
PLG15



WWW.PYLEAUDIO.COM




About Pyle Gear Series Woofer

Congratulations! You have purchased one of our high quality Pyle woofer. After the numerous testing and investigate by our professional engineers, **Pyle Gear Series Woofer** not only is in unique design, but also could deliver consistent and high performance.

The General Features of Pyle Gear Series Woofers Include:

- *Purple Color Injection Cone*
- *Non-fatiguing Butyl Rubber Surround*
- *Rigid Powder Coated Stamped Steel Basket*
- *Bumped & Vented Extended Pole Piece*
- *High Temperature Kapton Polyamide Voice Coils*
- *4 Ohm Impedence*

We do confident that Pyle Gear Series Woofer will bring you many hours of enjoyment over the years.






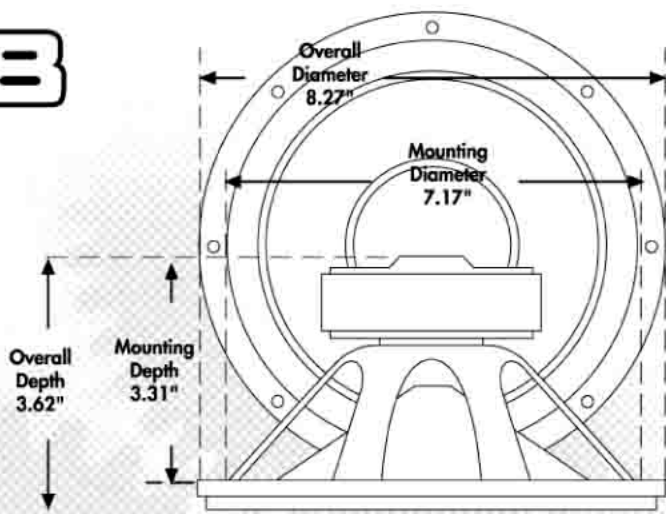
About This Booklet

In this booklet, you could find the **SPECIFICATIONS** and **TEMPLATE** of the woofer. With this information, you could achieve the best performance of woofer conveniently.

Below is the meaning of the rating abbreviations.

- F_s** : "**Free Air Resonance**", this value is the lowest audible frequency (in Hz) of the woofer.
- Q** : This value describes the degree of control ("damping") which the speaker exhibits. Speaker damping is due to both **MECHANICAL** characteristics (**Q_{ms}**) and **ELECTRICAL** characteristics (**Q_{es}**). A speaker's **TOTAL DAMPLING VALUE** is referring as **Q_{ts}**.
- SPL** : This value means the sensitivity of the speaker.
- X_{max}** : The overall distance (in millimeters) the cone and voice coil travel in a single excursion is referred to as X_{max}.
- VAS** : This value describes (in cubic feet) the maximum amount of air which is displaced by the speaker cone in a single excursion.
- 

PL68

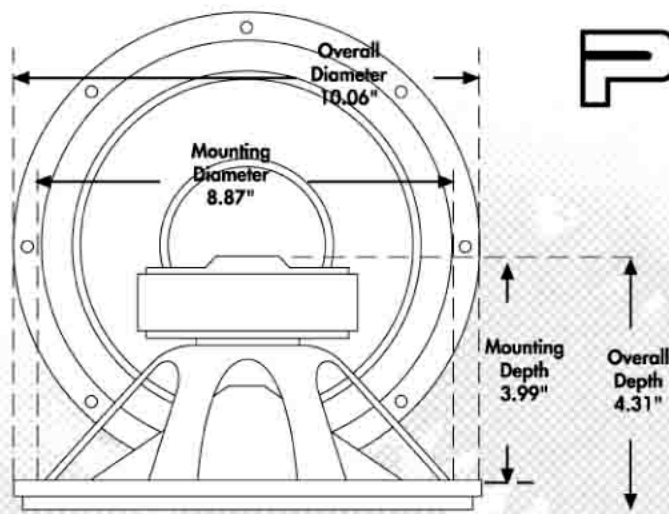


SPECIFICATIONS

PYLE GEAR SERIES - Woofer for small enclosures

Performance Parameters		Physical & Installation Parameters	
Power (Watts Peak)	500	Voice Coil	1.5" KSV
Nom. Impedance	4	Magnet	65 oz
Fs (Hz)	38	Cone	Injected P.P.
Qms	2.73	Surround	Rubber
Qes	0.77	Spider	Flat
Qts	0.6	Dust cap	P.P. - concave
SPL (dB)	88.9	Frame	Powdered Coated
X-max (mm)	18	Terminals	Gold Plush Terminal
Vas (cu ft)	0.869	Backplate	Bumped & Vented

PYLE continually strives to improve the performance and value of its products -
All specifications are subject to change.



PLG10

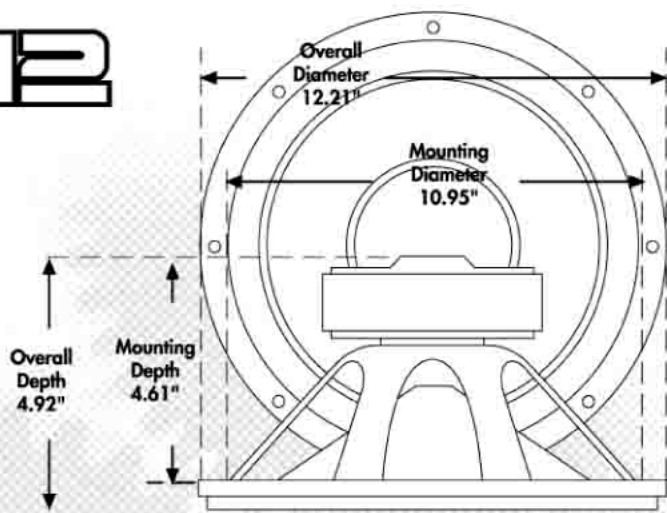
SPECIFICATIONS

PYLE GEAR SERIES - Woofer for small enclosures

Performance Parameters		Physical & Installation Parameters	
Power (Watts Peak)	600	Voice Coil	2" KSV
Nom. Impedance	4	Magnet	70 oz
Fs (Hz)	32.6	Cone	Injected P.P.
Qms	2.21	Surround	Rubber
Qes	0.64	Spider	Flat
Qts	0.50	Dust cap	P.P. - concave
SPL (dB)	88.3	Frame	Powdered Coated
X-max (mm)	18	Terminals	Gold Plush Terminal
Vas (cu ft)	2.882	Backplate	Bumped & Vented

PYLE continually strives to improve the performance and value of its products -
All specifications are subject to change.

PLG12

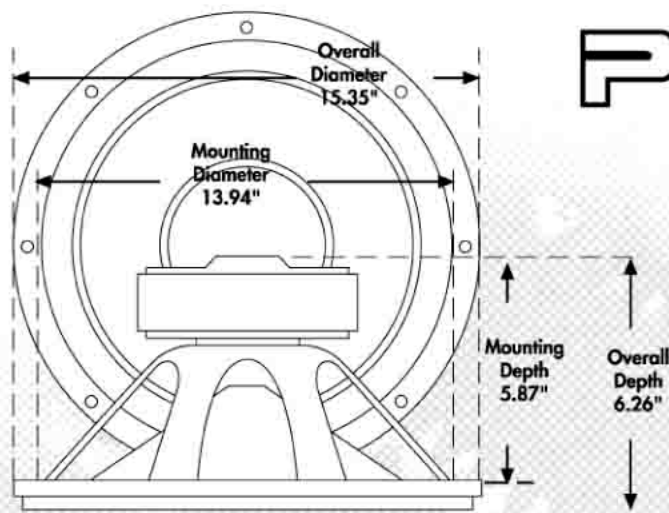


SPECIFICATIONS

PYLE GEAR SERIES - Woofer for small enclosures

Performance Parameters		Physical & Installation Parameters	
Power (Watts Peak)	1000	Voice Coil	2" KSV
Nom. Impedance	4	Magnet	90 oz
Fs (Hz)	28.1	Cone	Injected P.P.
Qms	2.64	Surround	Rubber
Qes	0.98	Spider	Flat
Qts	0.71	Dust cap	P.P. - concave
SPL (dB)	89.9	Frame	Powdered Coated
X-max (mm)	20	Terminals	Gold Plush Terminal
Vas (cu ft)	9.885	Backplate	Bumped & Vented

PYLE continually strives to improve the performance and value of its products -
All specifications are subject to change.



PLG15

SPECIFICATIONS

PYLE GEAR SERIES - Woofer for small enclosures

Performance Parameters		Physical & Installation Parameters	
Power (Watts Peak)	1200	Voice Coil	2.5" KSV
Nom. Impedance	4	Magnet	110 oz
Fs (Hz)	26.4	Cone	Injected P.P.
Qms	3.06	Surround	Rubber
Qes	0.97	Spider	Flat
Qts	0.73	Dust cap	P.P. - concave
SPL (dB)	90.1	Frame	Powdered Coated
X-max (mm)	24	Terminals	Gold Plush Terminal
Vas (cu ft)	12.501	Backplate	Bumped & Vented

PYLE continually strives to improve the performance and value of its products -
All specifications are subject to change.



MANUFACTURER'S LIMITED THREE YEAR WARRANTY

PYLE AUDIO CORP. warrants this unit to be free from defective material or workmanship and will repair or replace this unit or any part thereof if it proves defective in normal use or service within three (3) years from the date of original purchase.

Our obligation under this warranty is limited to the repairing or replacing, at our discretion, the defective instrument or any part thereof when it is returned, transportation prepaid to the Pyle Service Center at the address below. This warranty will be considered void if the unit has been tampered with, improperly serviced, subjected to abuse or misuse or if installed in a commercial vehicle. This warranty does not cover accidental damage. When returning this unit for service, please include \$10.00 for return postage and handling.

Send your unit to:

**PYLE SERVICE CENTER
1600-63rd Street
Brooklyn, New York 11204 USA**

IMPORTANT: Pack carefully in original carton if possible. We are not responsible for damage incurred in returning items for repair. A letter stating your exact street address, daytime phone number and the problem you are experiencing should be included. You must also enclose a copy of the original receipt as proof of date of purchase.

