

*PLMG35*

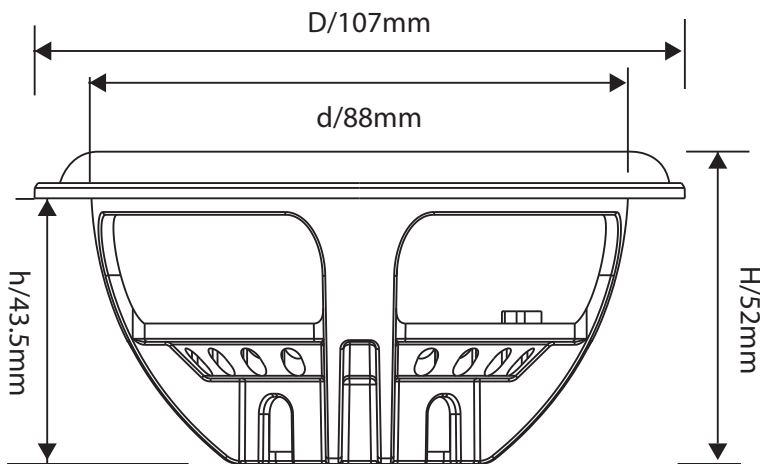
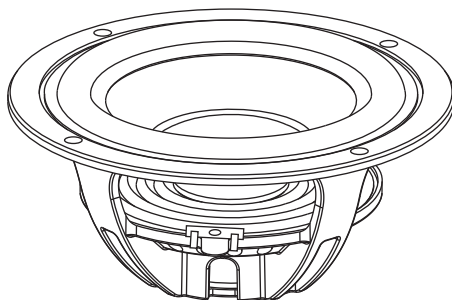
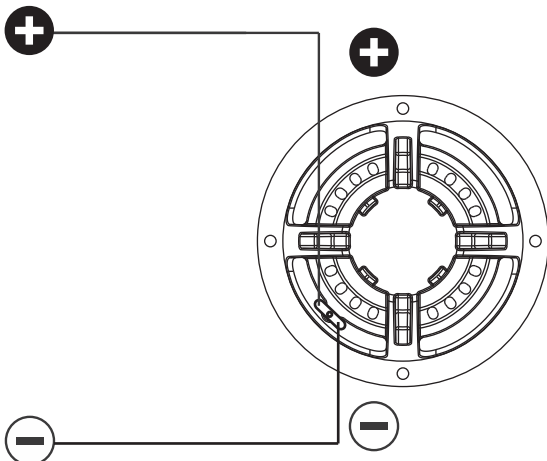
3.5" Single Voice Coil Car Subwoofer  
20 Watts at 4-Ohm Car Audio Powered  
Subwoofer, PP Cone with Rubber Edge

**PYLE**  
PyleUSA.com

**USER GUIDE**

### WIRING CONNECTION

Connect the power amplifier to the positive and negative terminals accordingly as shown.



## Features:

- PP Cone with Rubber Edge
- High-Powered Car Subwoofer
- Lab Tested Pro Audio Woofer Performance
- SVC: Single Voice Coil Sub Speaker Design
- Massive Butyl Rubber Surround
- High Strength Engineering Plastic Basket
- Quick Connect Speaker Terminal Plate
- Compatible with Sealed Enclosure Speaker Box Audio Setup
- Impressive Bass Response, Low-Resonance Frequency Output
- Designed for Custom Audio Car, Truck, Mobile Vehicle Applications



## What's in the Box:

- SVC Subwoofer with Grill

## Technical Specs:

- Construction Materials: Engineered ABS
- Power Handling: 20 Watts MAX, 10 Watts RMS
- Impedance: 4 Ohm
- Voice Coil: 1.0" -in
- Voice Coil Type: High-Temp Aluminum
- Magnet Size: 25\*6mm
- Magnet Type: NdFeb Magnet
- Frequency Response: 110Hz-156kHz
- Sensitivity: 85 dB (1w/1m)
- Product Dimensions: 4.2 " x 4.2" x 2.0" –inches
- Cutout Size: 3.46" –inches

### California Prop 65 Warning

#### WARNING:

This product contains Nickel carbonate which is known to the state of California to cause cancer birth defects and other reproductive harm. Do not ingest.

For more info go to: [www.P65warnings.ca.gov](http://www.P65warnings.ca.gov)

### Questions? Issues?

We are here to help!

Phone: (1) 718-535-1800

Email: [support@pyleusa.com](mailto:support@pyleusa.com)