

PLMR22WT - PLMR22BK - PLMR22CR

2.25" Waterproof Rated Off-Road Speakers

Compact PowerSport Vehicle Speaker System
for Motorcycle or Car

PYLE
PyleUSA.com

USER GUIDE



PLMR22WT



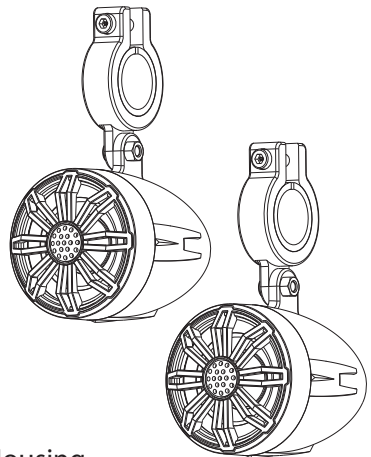
PLMR22BK



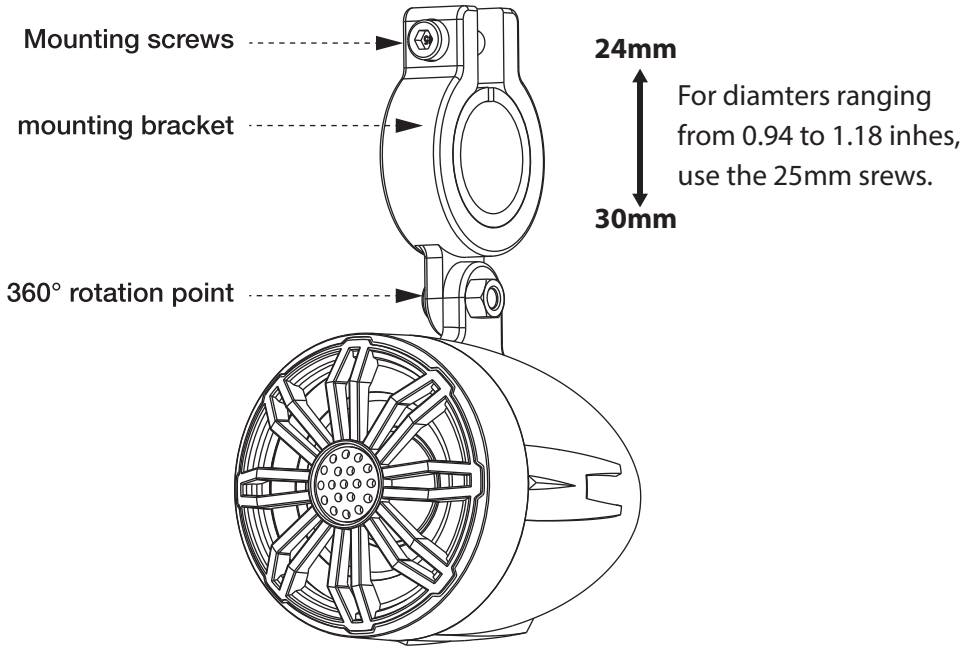
PLMR22CR

Features:

- Motorcycle Box Waterproof Stereo System
- 2.25" Long Excursion Woofer
- Completely Waterproof
- Compact & High-Powered Output
- Marine Grade Waterproof Rated Construction
- Weatherproof & Water-Resistant Housing
- Full Range Stereo Sound Reproduction
- Impressive Bass Response
- Sleek Design, Machine Molded Speaker Cabinet Housing
- Rugged, Universal Mount Bracket Design for Roll-Bar / Roll-Cage
- Used for Off-Road Outdoor Vehicles: ATV, UTV, 4x4, Jeeps, Marine Watercraft
- Quick Butt Connector for Speaker Wiring

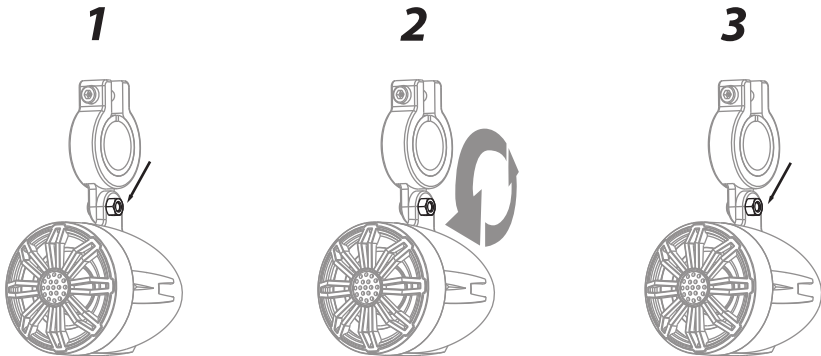


Mounting Bracket



360° Rotation Function

1. Loosen the rotation adjustment screw.
2. Rotate the lower mounting bracket to the desired position.
3. Lock the rotation adjustment screw.



Questions? Issues?

We are here to help!

Phone: (1) 718-535-1800

Email: support@pyleusa.com

California Prop 65 Warning

WARNING:

This product contains Nickel carbonate which is known to the state of California to cause cancer birth defects and other reproductive harm. Do not ingest.

For more info go to: www.P65warnings.ca.gov