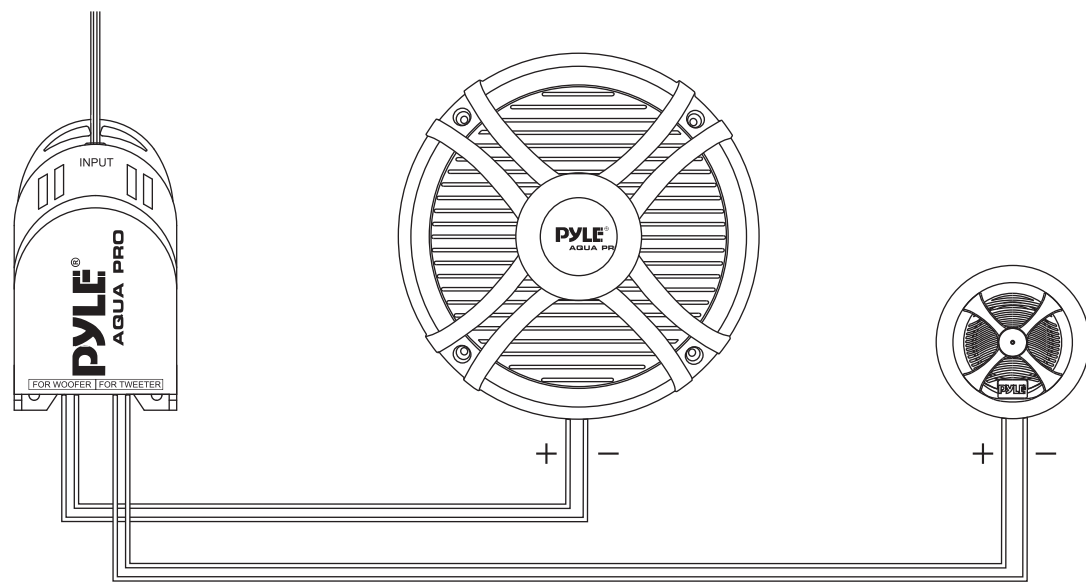


PYLE[®]

AQUA PRO

WIRING INSTRUCTION FOR PLMR65C



INSTALLATION INSTRUCTIONS

The tweeter can be mounted in 2 different directions:

(A) ANGLE MOUNT	(B) SURFACE MOUNT

TEMPLATE

FOR 6.5" SPEAKER

