

**PowerSports**

**PYLE**  
PyleUSA.com



*PLMR65C2B - PLMR65C2W*

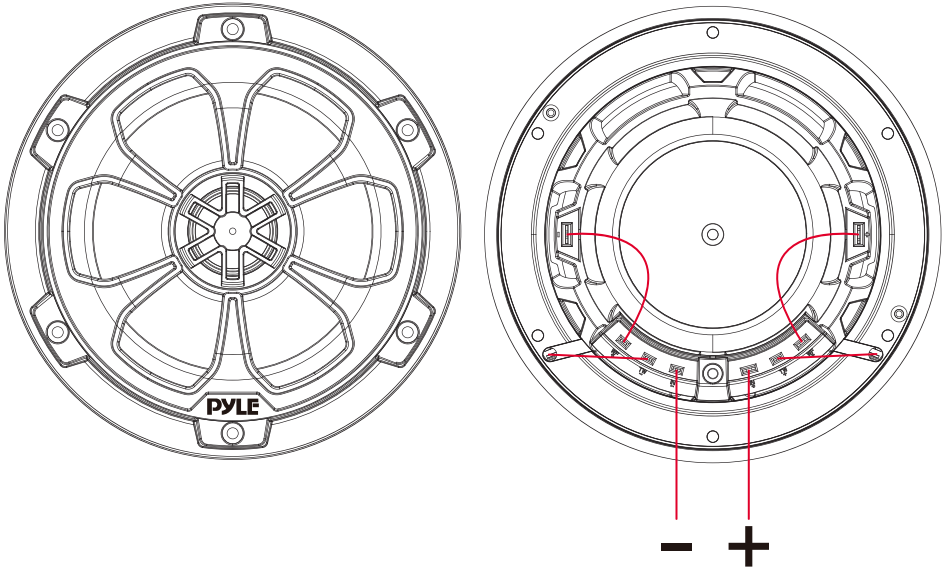
Two-Way Marine Component/Coaxial Speaker System

One Pair 6.5" Two-Way Marine Component Kit,  
240 Watts w/ 4 Ohm Impedance (Pair)

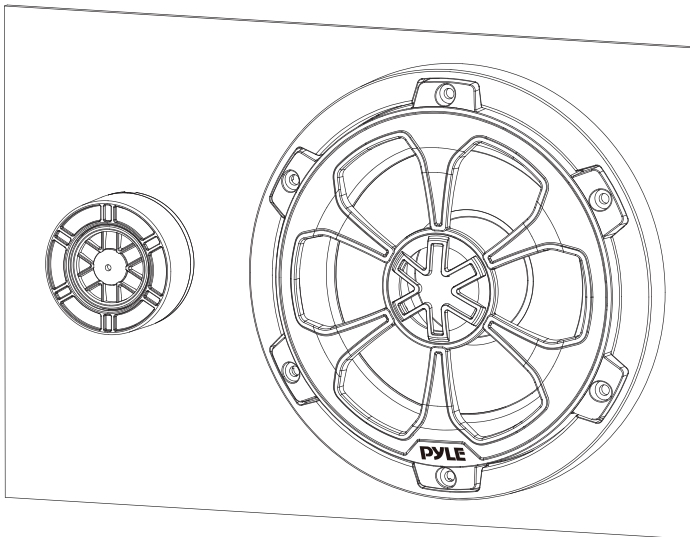
**USER GUIDE**

## INSTALLATION OPTIONS

**Version 1:** By 2-Way coaxial speaker usage.



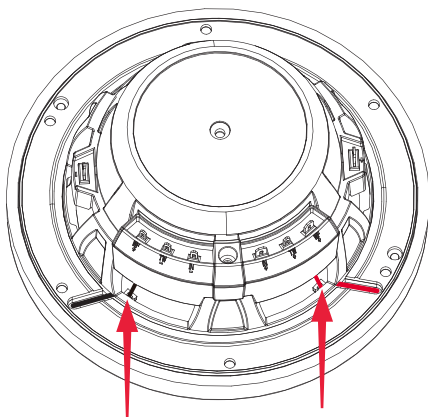
**Version 2:** By 2-Way component speaker usage, the tweeter can be removed and installed onto a surface. See the steps below.



## STEP 1.

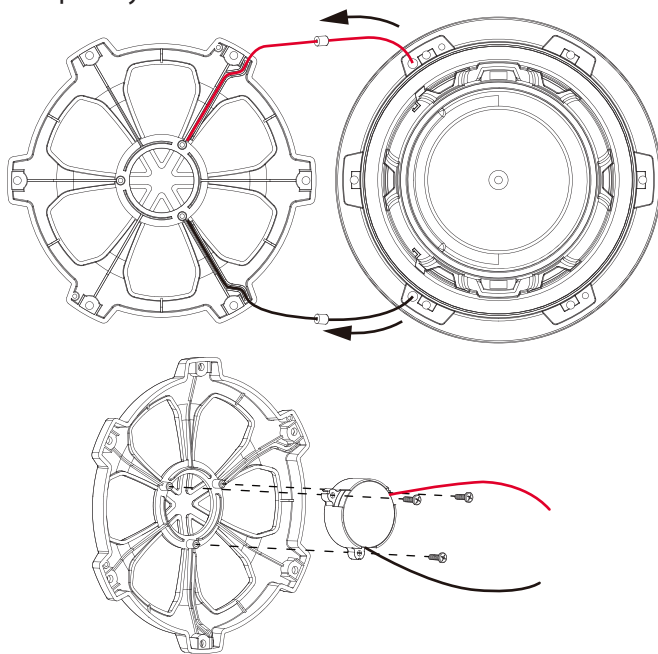
**Remove the tweeter wires:** Facing down the speaker and pull the red + black tweeter wires (see below drawing point by red arrows).

Remove the wires from the groove.



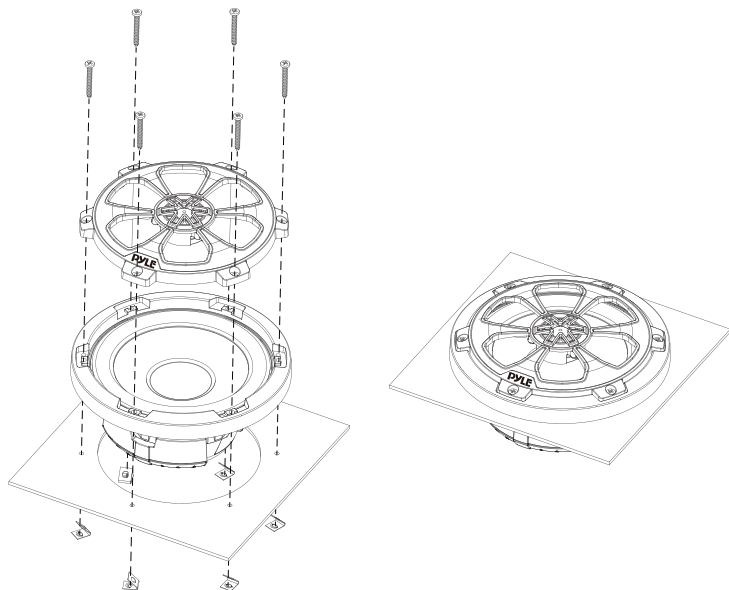
## STEP 2.

**Remove the speaker grill:** Pull the grill up and then the tweeter wires will also be pulled out with rubber plugs. Put the grill upside down and loose the screws around the tweeter cover. Pull the wires out of the grooves to remove the tweeter completely.



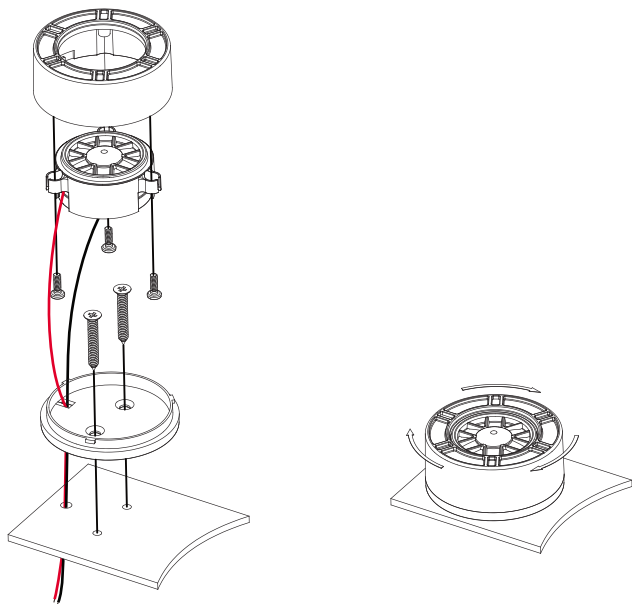
### STEP 3.

Put the grill back to the speaker and fasten the screws.



### STEP 4.

Put the tweeter as surface mount.



## **Features:**

- One Pair 6.5" Two-Way Marine Component Speaker Systems
- Butyl Rubber Surround
- 1" High-Temperature ASV Voice Coil
- Water-resistant Construction 2 Way Attachable Grille Design
- High Quality Poly Injection Cone
- 1" Neodymium PEI Dome Detachable Tweeter as Options of Component or Coaxial Speaker Application.
- Ensures Low Distortion
- Surface Mount Capability
- Built in Matching Crossover Network on Speaker Unit
- Marine Grade Waterproof Rating: IP-X5

## **What's in the Box:**

- (2) Marine 2-Way Speakers
- (2) Tweeter Surface Mount Plastic Housings
- (2) 4M Power Cables
- (2) 0.15M Red Wires
- (2) 0.15M Black Wires
- Stainless Screw Bag

## **Technical Specs:**

- Power Handling: 240 Watts MAX
- Impedance: 4 Ohm
- Sensitivity: 91 dB
- Mounting Depth: 2.44"
- Magnet Structure: 11 oz.
- Weight of Speaker with Grill: 2.18 lbs.
- Frequency Response: 60Hz - 20KHz
- Product Dimension: 6.93" x 6.93" x 3.66" -inches

### **California Prop 65 Warning**

#### **⚠️ WARNING:**

This product contains Di (2-ethylhexyl) phthalate (DEHP) which is known to the state of California to cause cancer birth defects and other reproductive harm. Do not ingest.

For more info go to: [www.P65warnings.ca.gov](http://www.P65warnings.ca.gov)



# PYLE

PyleUSA.com

**PowerSports**

***Questions? Comments?***

We are here to help!

Phone: (1) 718-535-1800

Email: [support@pyleusa.com](mailto:support@pyleusa.com)

