

PLMR6KB - PLMR6KW

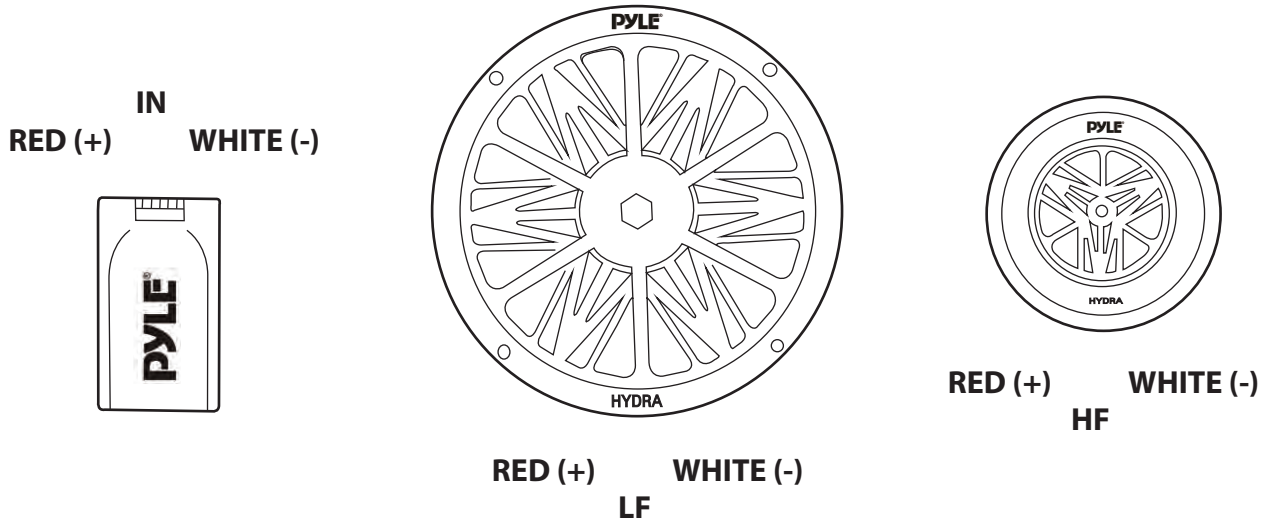
Dual 6.5" Water Resistant Marine Speakers
2-Way Full Range Stereo Sound, Built-in Tweeters, 200 Watt



PYLE
PyleUSA.com

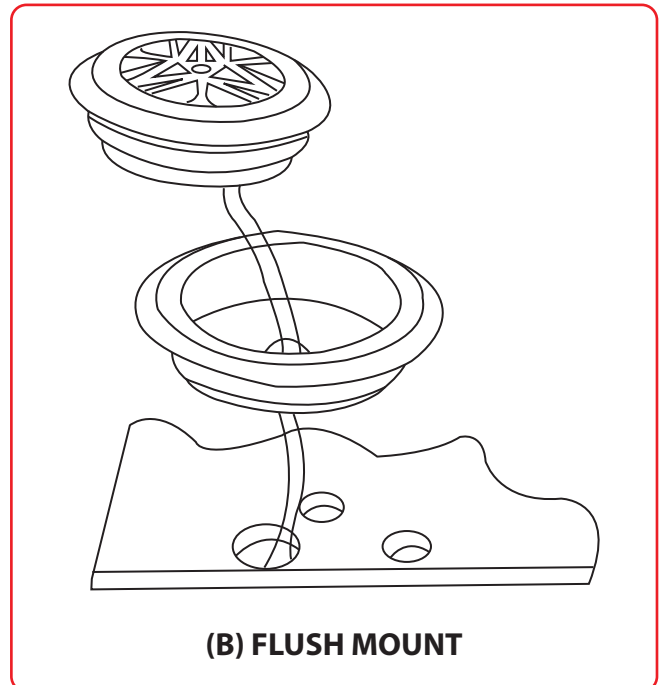
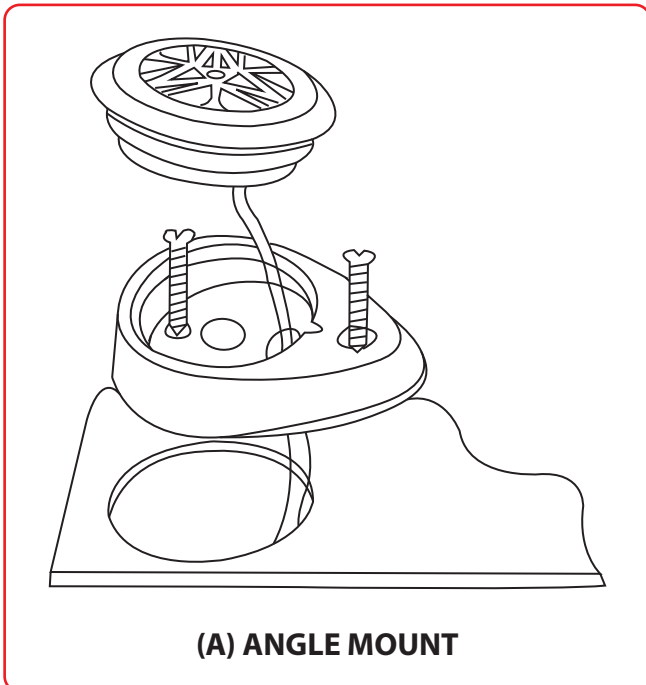
User Manual

Wiring Instruction for PLMR6KB - PLMR6KW



Installation Instructions

The tweeter can be mounted in 2 different directions



What's in the Box:

- (2) 6.5" Component Speaker
- (2) Tweeter
- Passive Crossover
- Wiring Kit
- Mounting Hardware



VISIT US ONLINE:

Have a question?

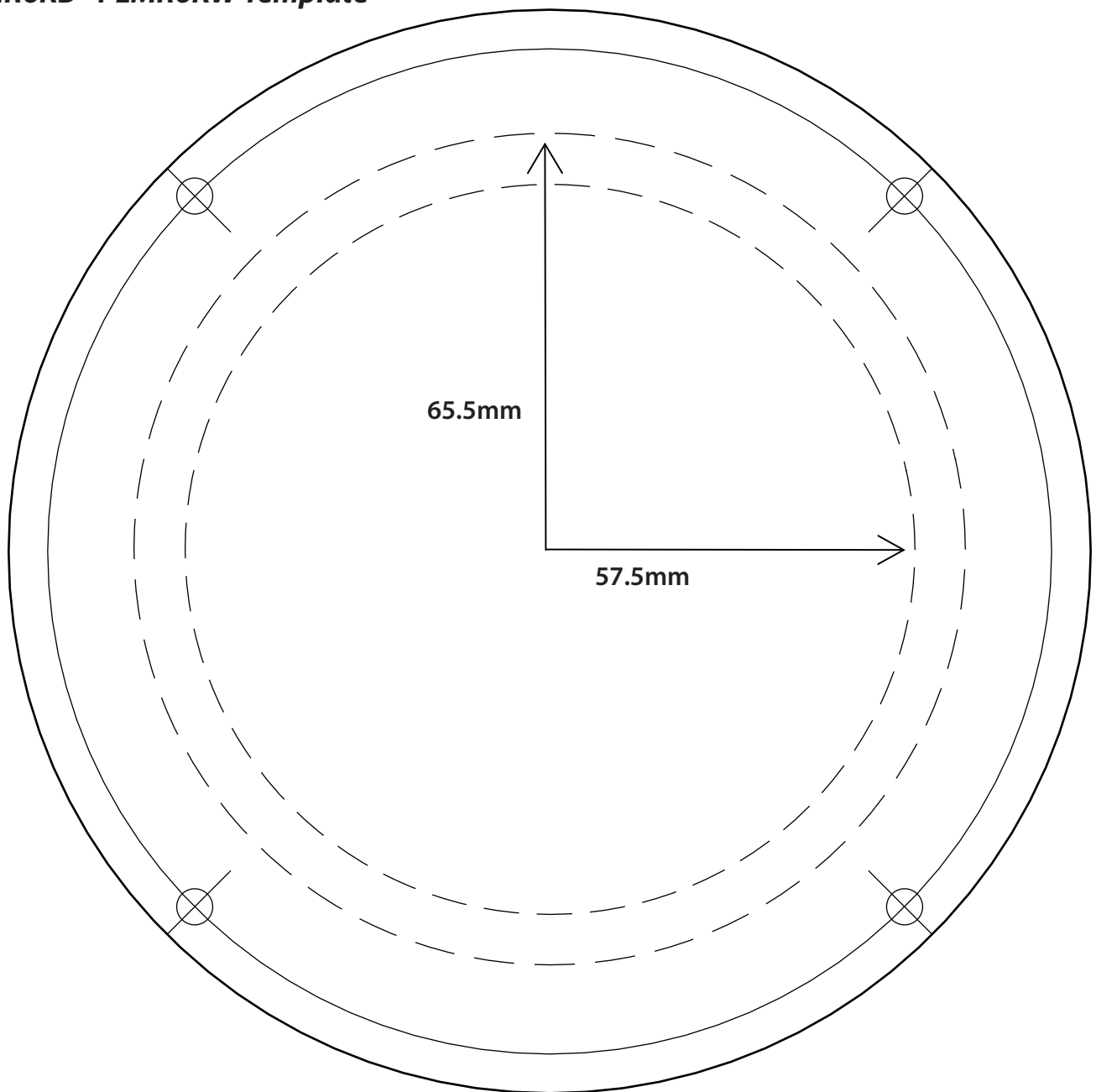
Need service or repair?

Want to leave a comment?

PyleUSA.com/ContactUs

PYLE

PLMR6KB - PLMR6KW Template



Features:

- Includes (2) 6.5" Component Speakers
- Marine Grade Weather-Resistant Construction
- Full Range Stereo Sound Reproduction
- 2-Way Dual Cone Speakers
- Poly Carbon Cone, Butyl Rubber Surround
- Molded ABS Machined Basket and Grill
- For Marine, Automobile & Off-Road Vehicles
- Universal Standard OEM Replacement Size
- Includes Speaker Wire & Mounting Hardware

Questions? Issues?

We are here to help!

Phone: (1) 718-535-1800

Email: support@pyleusa.com

Technical Specs:

- MAX Power: 200 Watt
- RMS Power: 100 Watt
- Marine Grade Rating: IP-44
- Impedance: 4 Ohm
- Frequency Response: 85Hz - 6kHz
- Magnet Structure: 8 oz.
- Housing Construction Material: Engineered ABS
- Sensitivity: 90dB
- Voice Coil: 1.0", Aluminum
- Tweeters: 0.5", Neodymium Dome
- Frequency Response: 1.4KHz-24kHz
- Speaker Total Diameter: 7.09"
- Speaker Cut-Out Diameter: 5.31"
- Speaker Mounting Depth: 2.48"