

# PYLE® RGB LED SPEAKERS

PyleAudio.com

## INSTALLATION INSTRUCTIONS FOR PLMRWB652LEW/PLMRWB652LES/PLMRWB652LEB PLMRWB852LEW/PLMRWB852LES/PLMRWB852LEB

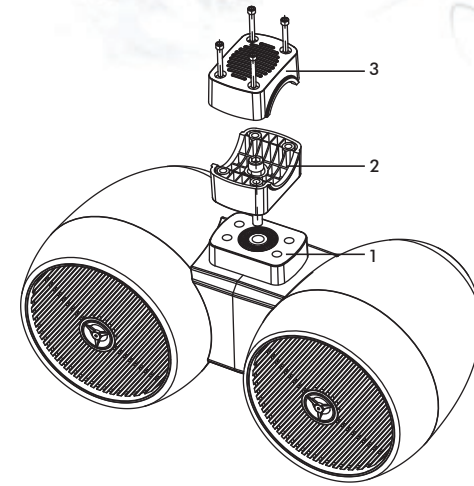
### Product Technical Parameters

MARINE SPEAKER MODEL	PLMRWB652LEW/PLMRWB652LES/PLMRWB652LEB
- Dual 2-Way Mini Box Speaker System	2x6.5"
- Long Excursion Woofer	
- 1.0" Titanium Dome Tweeter	
- Heavy Duty ABS Construction	
- Quick Connect Speaker Terminals	
- Max Power	2x200 Watts
- Magnet	10 Oz
- Frequency Response	60Hz-20KHz
- Impedance	4 Ohms
- Sensitivity	90 dB
- Dimensions(mm)	283x480x240 mm (HxWxD)

MARINE SPEAKER MODEL	PLMRWB852LEW/PLMRWB852LES/PLMRWB852LEB
- Dual 2-Way Mini Box Speaker System	2x8"
- Long Excursion Woofer	
- 1.0" Titanium Dome Tweeter	
- Heavy Duty ABS Construction	
- Quick Connect Speaker Terminals	
- Max Power	2x300 Watts
- Magnet	20 Oz
- Frequency Response	40Hz-20KHz
- Impedance	4 Ohms
- Sensitivity	91 dB
- Dimensions(mm)	340x577x290 mm (HxWxD)

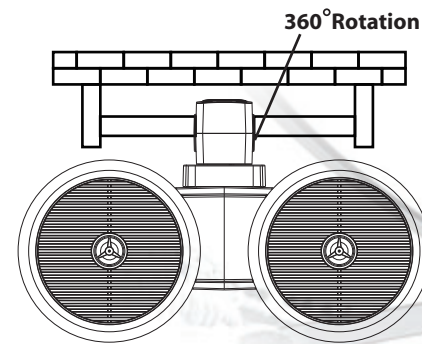
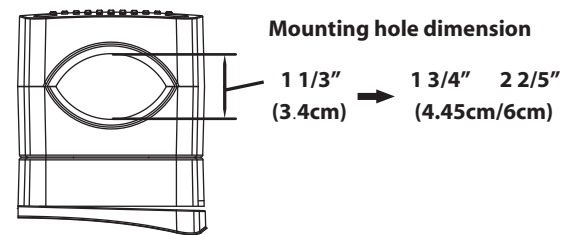
## PART 1.

- 1.The base of the bracket.
- 2.The connecting base of the bracket,360° rotation,connect to picture 1.
- 3.The cover of the bracket,is fixed by 4 mounting screws after picture 2 rotates to an angle.



Remark:two types of screws for choice:M5x65/M5x80

## PART 2.



**HYDRA**  
For more detailed information visit us at:  
PyleAudio.com

## REMOTE CONTROL FEATURES

**1. Turn On / Standby:** Press this key to turn on LEDs or switch to standby mode.

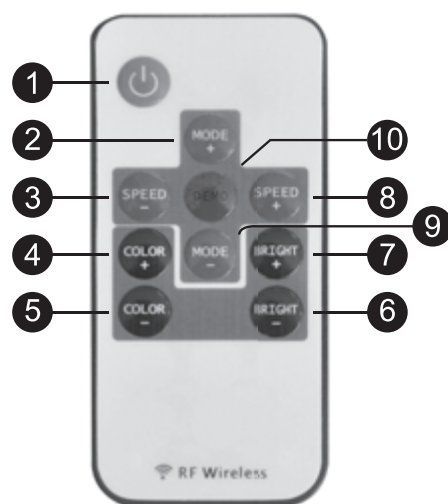
**2 / 9. Dynamic Mode button:** Switch from dynamic mode to color mode or switch between dynamic modes.

**3 / 8. Dynamic Mode Speed button:** Use these buttons to adjust dynamic mode speed. If the unit is in static mode, pressing these buttons will switch unit to dynamic mode.

**4 / 5. Static Color Adjust button:** Use this button to switch between static colors. Pressing these keys while in dynamic mode will switch the unit to static mode.

**6 / 7. Brightness Adjust button:** Pressing these buttons will adjust brightness while in static mode. If these buttons are pressed while unit is in dynamic mode, it will switch to static mode.

**10. Demo Mode button:** this button will switch the unit into demo mode. While in demo mode, unit will loop through 9 of the dynamic modes with each repeating 3 times.



- Please remember to remove plastic insulator from remote unit battery compartment.
- This remote uses a 3 volt CR2025 type battery. When replacing be sure to use only the same type of battery
- The remote signal can pass though most obstacles.
- Do not install unit in areas surrounded by metal as the remote signal will not reach the unit.

**HYDRA**

For more detailed information visit us at:  
PyleAudio.com

1600-63rd Street  
Brooklyn, NY 11204 USA

**PYLE®**  
PyleAudio.com