

PYLE® RGB LED SPEAKERS

PyleAudio.com

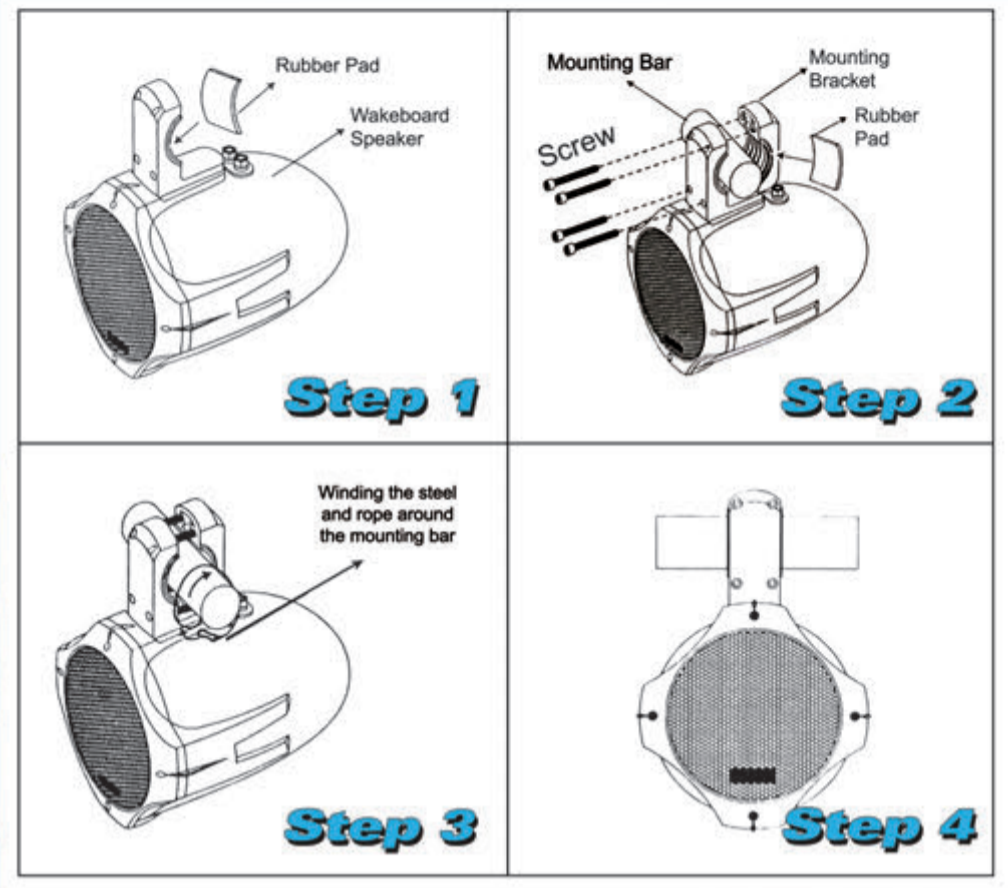
INSTALLATION INSTRUCTIONS FOR PLMRWB65LEW/PLMRWB65LEB PLMRWB85LEW/PLMRWB85LEB

Product Technical Parameters

MARINE SPEAKER MODEL	PLMRWB65LEW/PLMRWB65LEB
- 2-Way Mini Box Speaker System	6.5"
- Long Excursion Woofer	
- 1.0" Titanium Dome Tweeter	
- Heavy Duty ABS Construction	
- Quick Connect Speaker Terminals	
- Max Power	200 Watts
- Magnet	10 Oz
- Frequency Response	40Hz-20KHz
- Impedance	4 Ohms
- Sensitivity	90 dB
- Dimensions(mm)	217x217x230 mm (HxWxD)

MARINE SPEAKER MODEL	PLMRWB85LEW/PLMRWB85LEB
- 2-Way Mini Box Speaker System	8"
- Long Excursion Woofer	
- 1.0" Titanium Dome Tweeter	
- Heavy Duty ABS Construction	
- Quick Connect Speaker Terminals	
- Max Power	260 Watts
- Magnet	20 Oz
- Frequency Response	30Hz-20KHz
- Impedance	4 Ohms
- Sensitivity	91 dB
- Dimensions(mm)	252x252x245 mm (HxWxD)

Mounting:



Step 1

Step 2

Step 3

Step 4

HYDRA
For more detailed information visit us at:
PyleAudio.com

REMOTE CONTROL FEATURES

1. Turn On / Standby: Press this key to turn on LEDs or switch to standby mode.

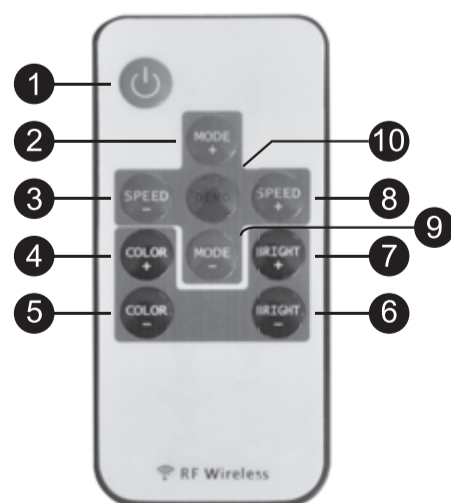
2 / 9. Dynamic Mode button: Switch from dynamic mode to color mode or switch between dynamic modes.

3 / 8. Dynamic Mode Speed button: Use these buttons to adjust dynamic mode speed. If the unit is in static mode, pressing these buttons will switch unit to dynamic mode.

4 / 5. Static Color Adjust button: Use this button to switch between static colors. Pressing these keys while in dynamic mode will switch the unit to static mode.

6 / 7. Brightness Adjust button: Pressing these buttons will adjust brightness while in static mode. If these buttons are pressed while unit is in dynamic mode, it will switch to static mode.

10. Demo Mode button: this button will switch the unit into demo mode. While in demo mode, unit will loop through 9 of the dynamic modes with each repeating 3 times.



- Please remember to remove plastic insulator from remote unit battery compartment.
- This remote uses a 3 volt CR2025 type battery. When replacing be sure to use only the same type of battery
- The remote signal can pass though most obstacles.
- Do not install unit in areas surrounded by metal as the remote signal will not reach the unit.

HYDRA

For more detailed information visit us at:
PyleAudio.com

1600-63rd Street
Brooklyn, NY 11204 USA

PYLE
PyleAudio.com