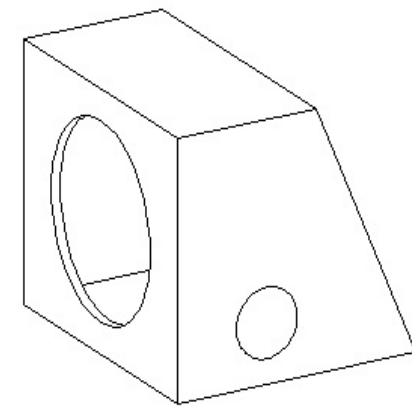


Sealed Box



Vented Box

Suggested enclosure parameters	Sealed		Vented	
	Small	Large	Small	Large
Enclosure volume, cu. ft.	0.53	NA	0.53	NA
Vent length, inches	-	-	6.5	-
Vent diameter, inches	-	-	2.0	-
Enclosure Frequency, Hz	74	-	-	-
Fb Tuning Frequency of Vented Enclosure, Hz	NA	-	50	-
F2 System 3dB Down Point (Sealed) Hz	52	-	-	-

PC SYSTEMS SUB DOWN FRONT (Sealed), PZ

00

-

-

-