

# 6.5" WATERPROOF AUDIO MARINE GRADE 2-WAY SPEAKERS

with Built-in Programmable Multi-Color LED Lights

Model: **PLMRX68LEB** Model: **PLMRX68LEW**



**Features:**

- Includes (2) Speakers
- Built-in Color-Changing LED Lights
- Programmable & Controllable Lighting
- Waterproof Construction Housing
- 2-Way Stereo Sound
- Polypropylene Cones with Cloth Surround
- Stain Resistant Grill
- Molded ABS Plastic Basket
- Includes Speaker Wiring & Mounting Hardware
- Used in Marine Vehicles or Automobiles
- Perfect for Custom Installations

**Color-Changing LED Lights:**

- Dancing / Flashing Light Modes
- 20 Static or 19 Dynamic Color Modes
- Speed & Color Brightness Adjustable
- 27 Built-in Multi-Color LED lights
- Includes Remote Control & Lighting Console Controller Unit

**Size / Dimensions:**

- Total Diameter: 7.6", Total Depth: 3.9"
- Cut-Out Diameter: 5.4"
- Mounting Depth: 2.6"



For more detailed information visit us at:  
**PyleAudio.com**

# WIRING INSTRUCTIONS

with Built-in Programmable Multi-Color LED Lights

# Instructions RGB LED CONTROLLER

Model: **PLMRX68LEB** Model: **PLMRX68LEW**

- 19 Dynamic Modes
- 20 Static Colors
- 256-Grade PWM
- Speed Adjustable
- Brightness Adjustable
- Card Type Remote
- Ultra Slim Design
- Demo Mode
- One-to-Many Remote Paired
- Auto Save Function

**1. Turn On/Standby**

Press this key to turn on unit or switch to standby mode. Unit will turn on and restore to previous status at powering on moment.

**2/9. Dynamic Modes Adjust**

Switch to dynamic mode from static color mode, or switch between dynamic modes.

**3/8. Dynamic Speed Adjust**

Adjust dynamic playing speed. Press Speed+ to increase speed and press Speed- to decrease speed. Unit will switch to dynamic mode if press this key at static color mode.

**4/5. Static Color Adjust**

Switch to static color mode from dynamic mode, or switch between different static colors.

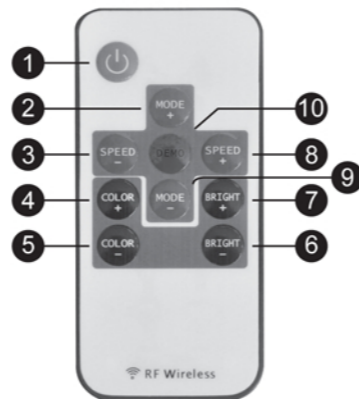
**6/7. Brightness Adjust**

Adjust static color brightness. Press Bright+ to increase brightness and press Bright- to decrease. Unit will switch to static color mode if press this key at dynamic mode.

**10. Demo Mode**

Press this key will switch to Demo mode. At demo mode, it will loop play 9 dynamic modes, each mode repeat 3 times.

**Functions**



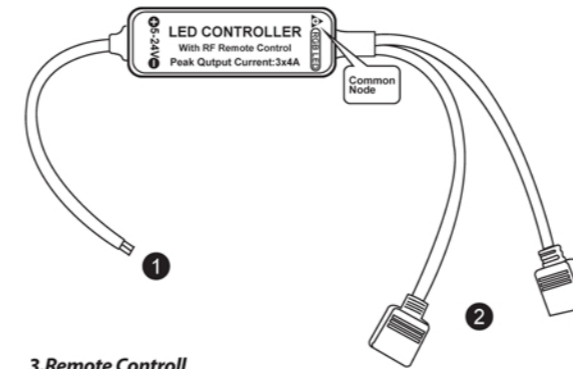
**1. Power Supply**

This unit accepts DC 12V to 24V power supply. The inner pole polarity is positive and sleeve is negative. Please select proper power supply according to the LED application.

**2. LED Output**

This unit support common anode connection LED products. The mark '△' indicates the common connection node. The peak output current is 4A per channel, please reduce load if main unit is overheating.

**CAUTION! Do not short circuit the LED output, this may lead to permanent damage!**



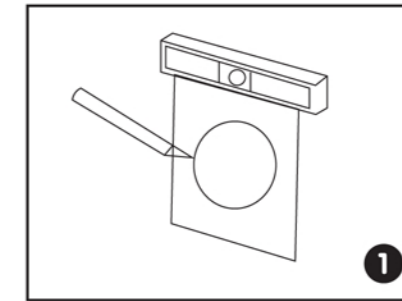
**3. Remote Control**

Please pull out the insulate part before using. The RF wireless remote signal can pass through barrier, so it's not necessary to aim at the main unit when operate. For proper receiving Remote signal, do not install the main unit in closed metal parts. The remote battery is 3V CR2025 type, please only replace with same type battery.

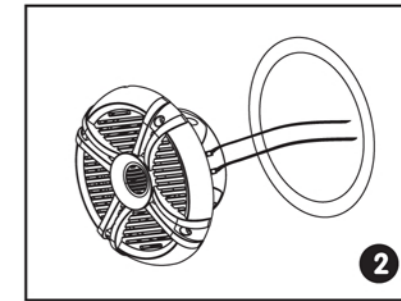
**Specification**

Dynamic Mode	19 modes
Static Color	20 colors
PWM Grade	256 levels
Brightness Grade	5 levels
Speed Grade	10 levels
Demo Mode	Yes
Working Voltage	DC 12~24V
Output Current	3-way, peak 4A per channel
Remote Frequency	433.92MHz
Remote Distance	>30m at open area

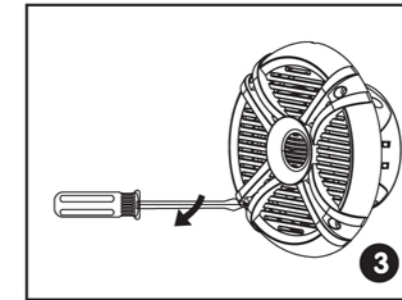
with Built-in Programmable Multi-Color LED Lights



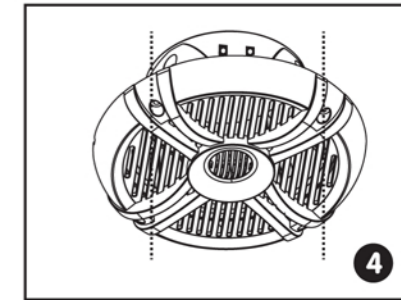
Cut the drywall.  
Note: Always allow at least one-half inch between a wall stud and the speaker cutout or the locking tabs will not be able to swivel into place.



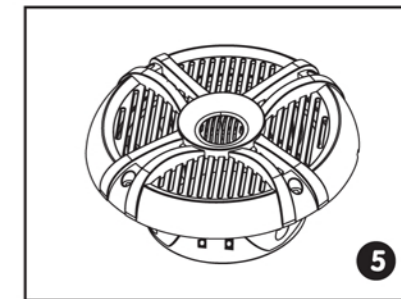
Connect the speaker wires to the speaker.



Screw down each of the four Phillips head screws. The locking tabs will swivel into place and secure the unit to the rear surface of the drywall. Put in the strips of adhesive to secure the grille.



Replace the metal grille.



Complete.